

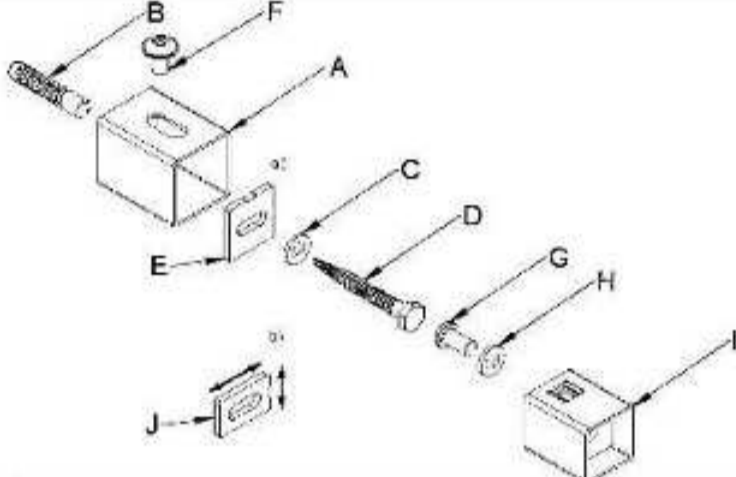


DFRE11400400SK01-0110

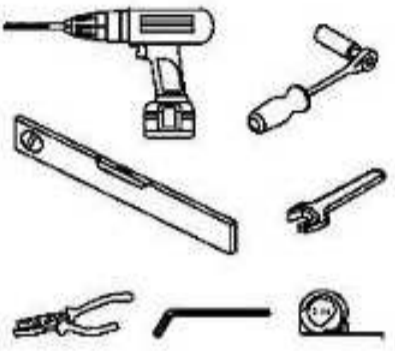
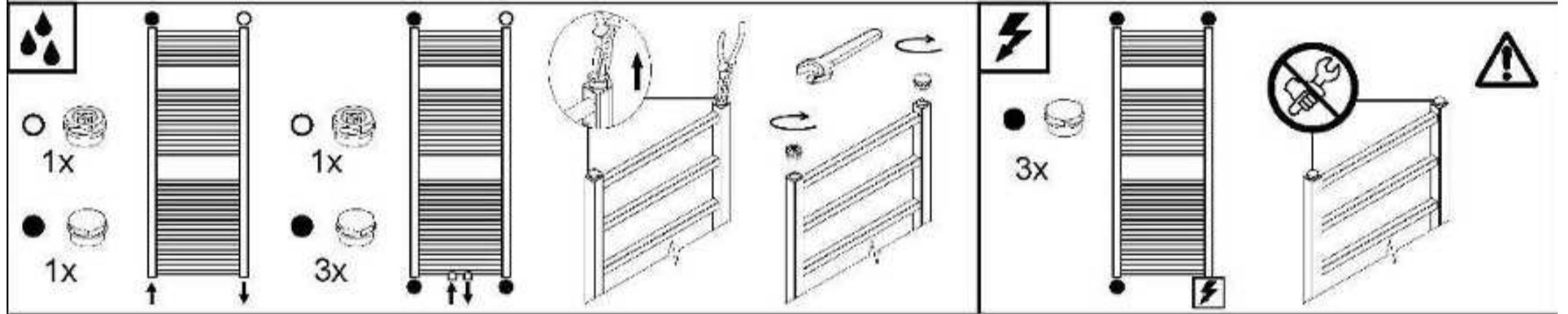
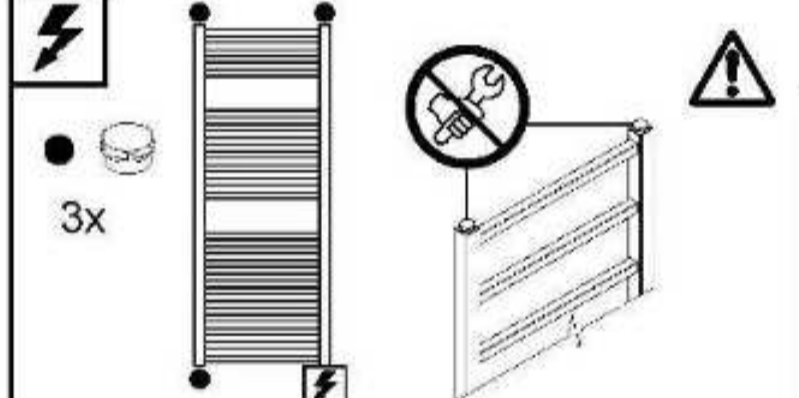


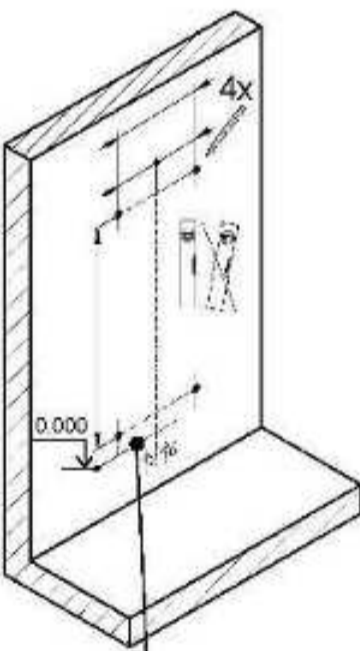
H	L	A	B	C	D	E	F	G
1140	400	185	1050	90	15	90	55-65	70-80
I	J	K	M	N	O	P		
40-50	-	min.100	370	-	-	-		

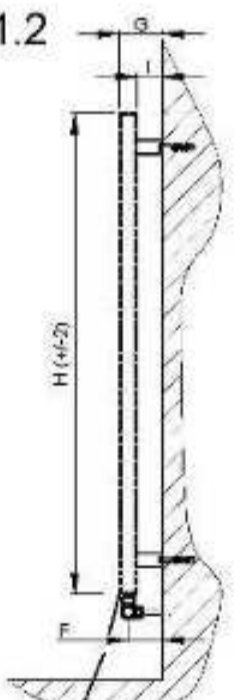
5.6	kg
2.7	l
247	W

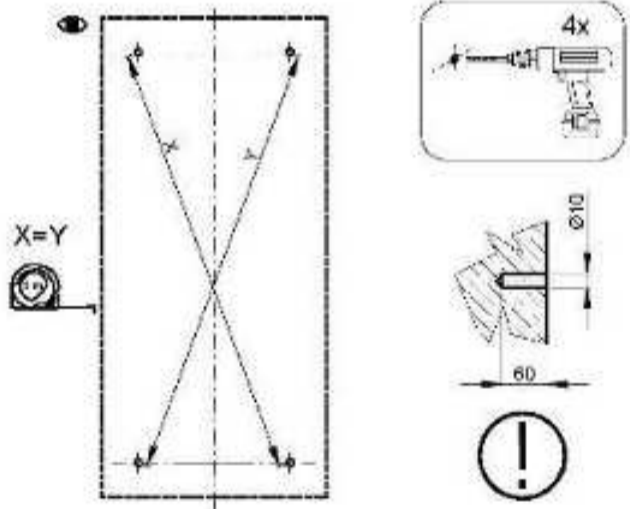


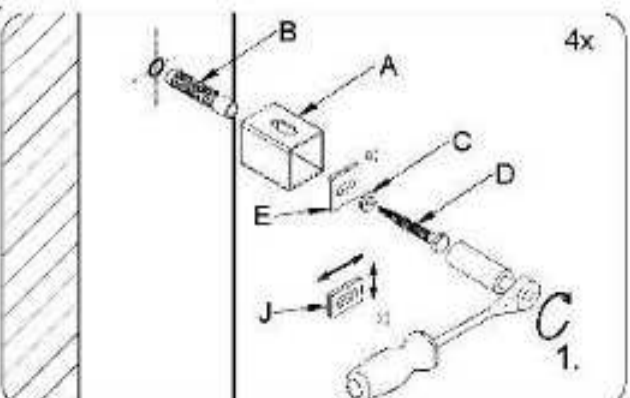
A 4x	B 4x 10x50 (100)	C 4x	D 4x MBx50 (100)	E 2x
F 4x	G 4x	H 4x	I 4x	J 2x

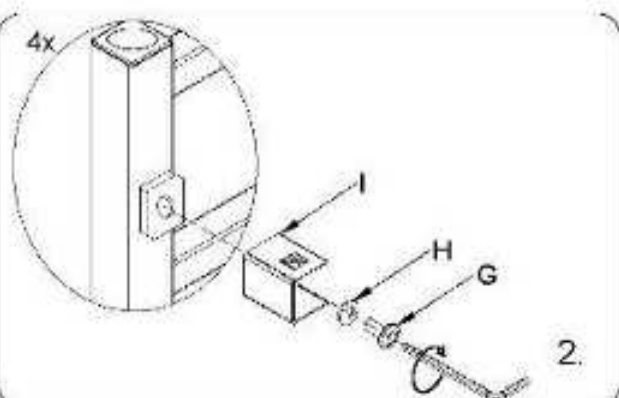




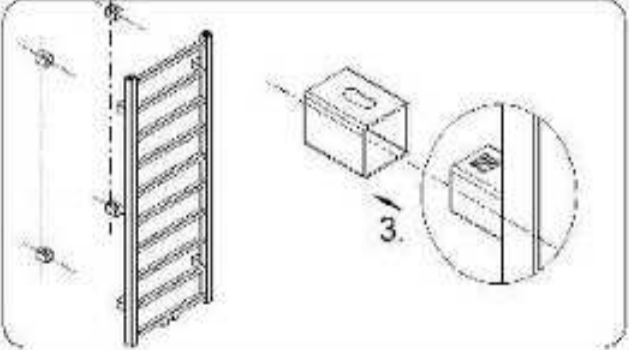
**1.1** 

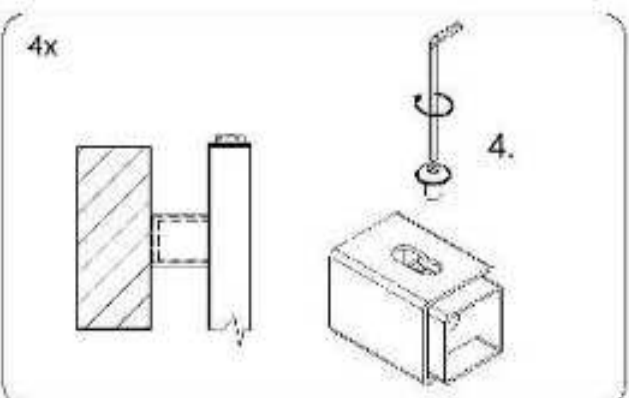
**1.2** 

**1.3** 

**1.4** 

**1.5** 

**1.6** 

**1.7** 

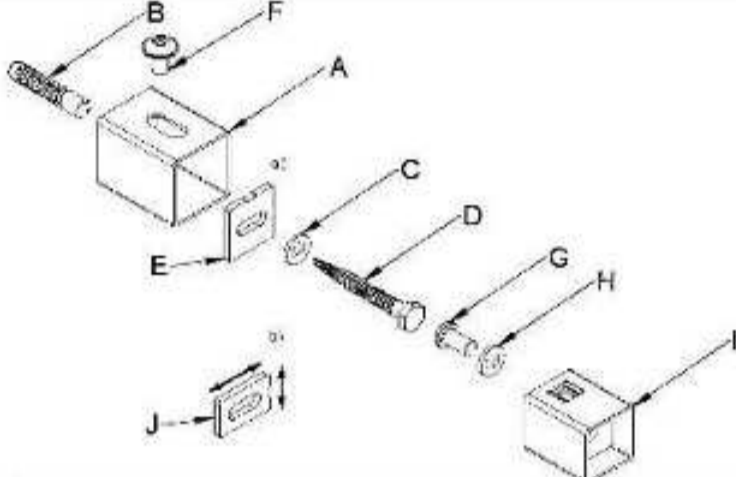


DFRE15000400SK01-0110

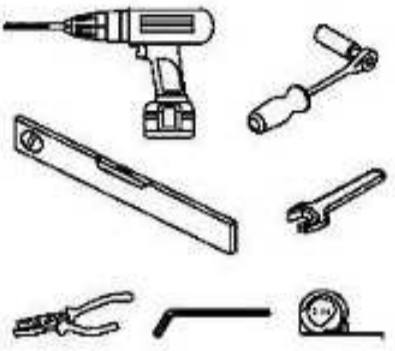
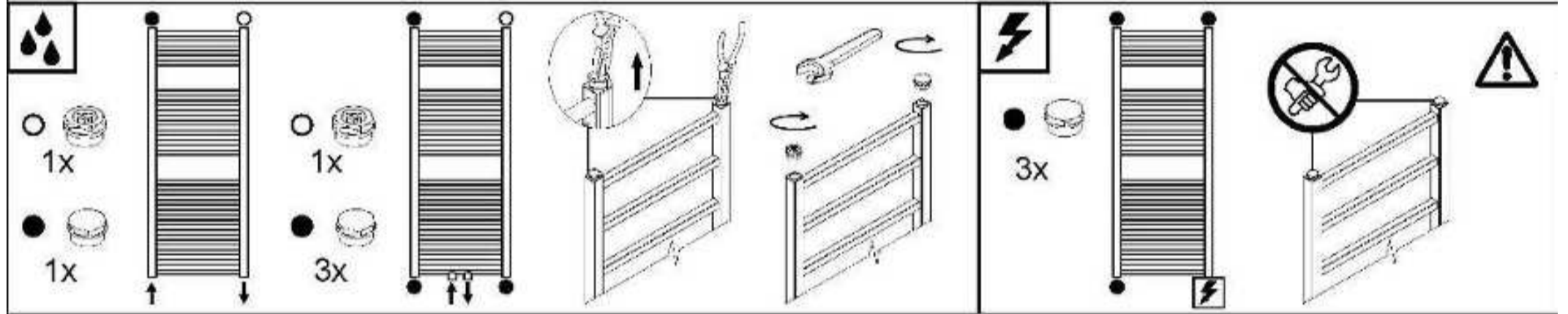
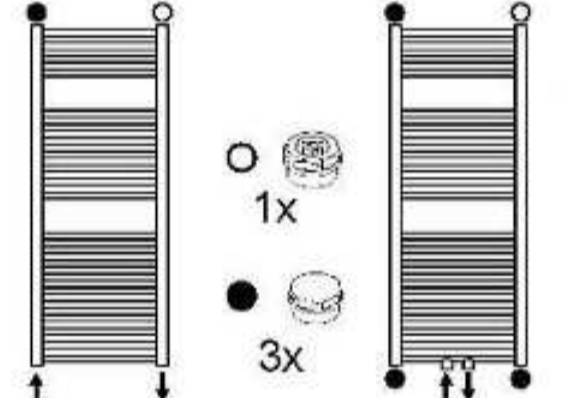

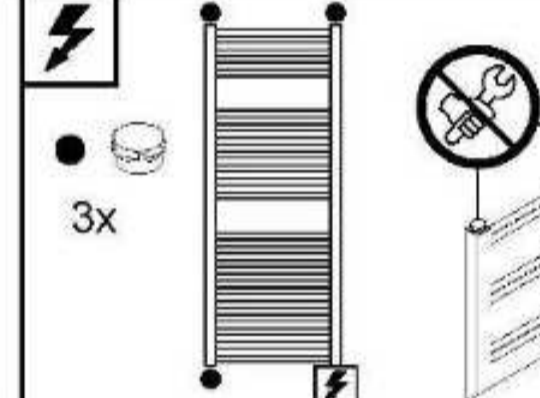
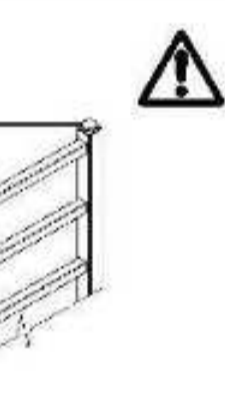


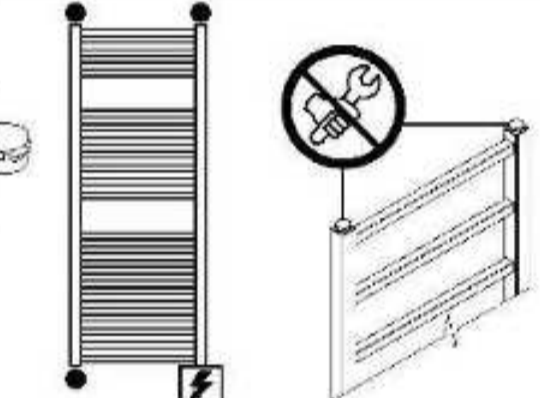











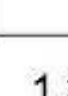










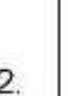



















H	L	A	B	C	D	E	F	G
1500	400	185	1410	90	15	90	55-65	70-80
I	J	K	M	N	O	P		
40-50	-	min.100	370	-	-	-		

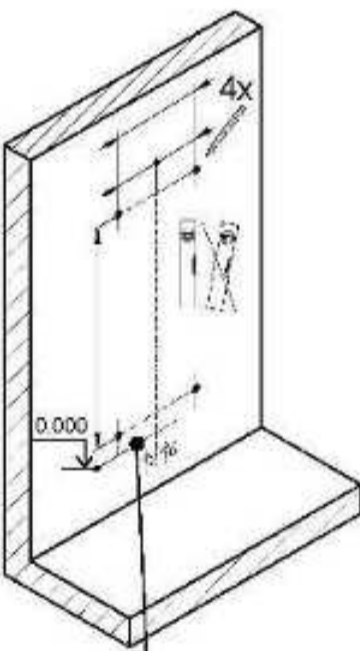
7.3	kg
3.6	l
323	W



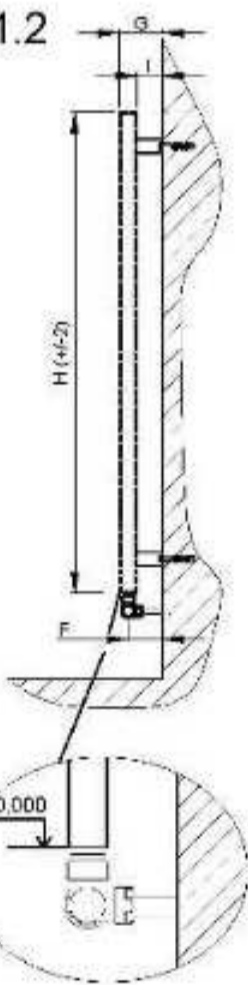
A 4x	B 4x 10x50 (100)	C 4x	D 4x MBx50 (100)	E 2x
F 4x	G 4x	H 4x	I 4x	J 2x

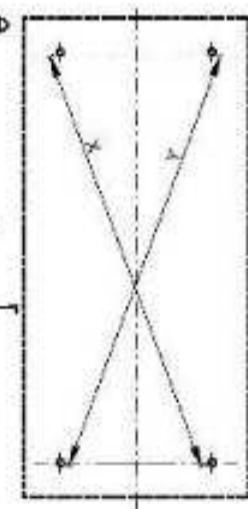
**1.1**



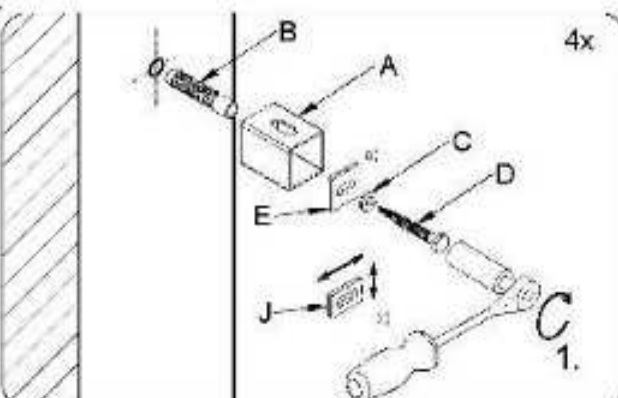
**1.2**



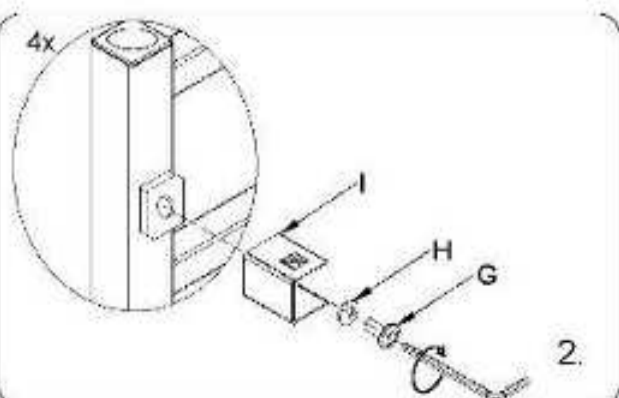
**1.3**



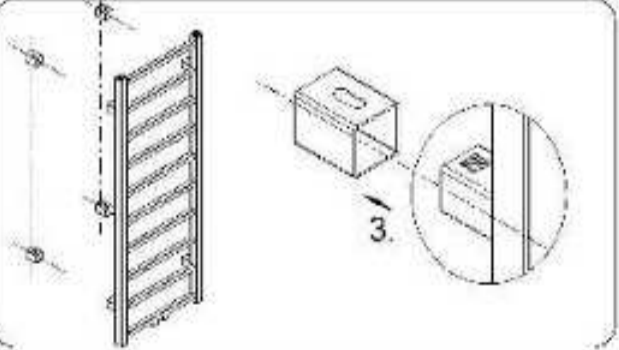
**1.4**



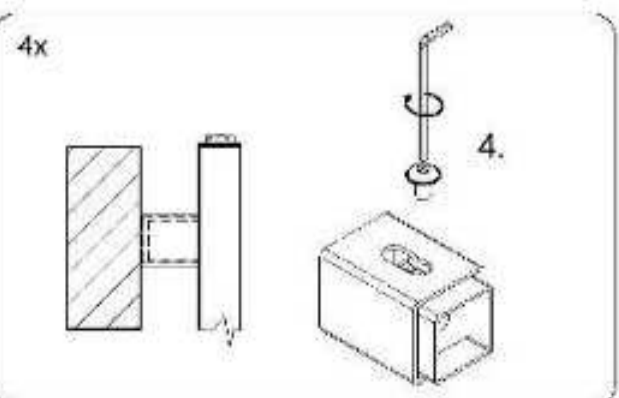
**1.5**



**1.6**



**1.7**



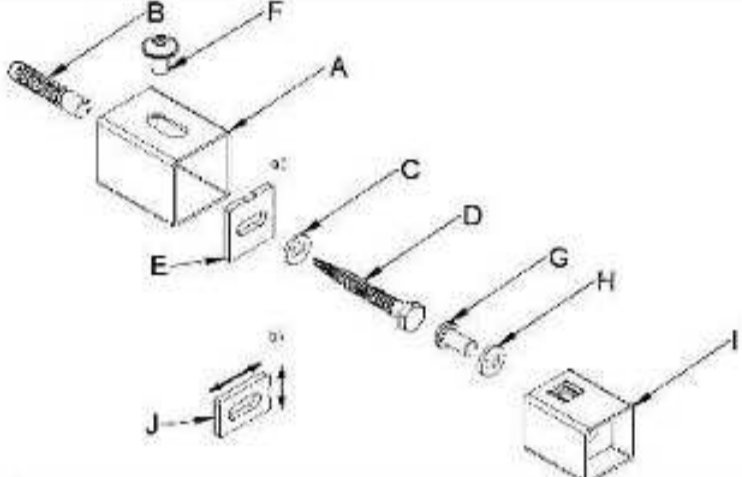


DFRE15000500SK01-0110

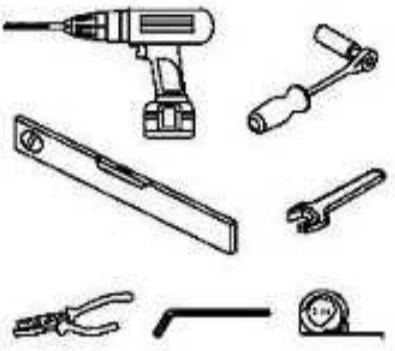
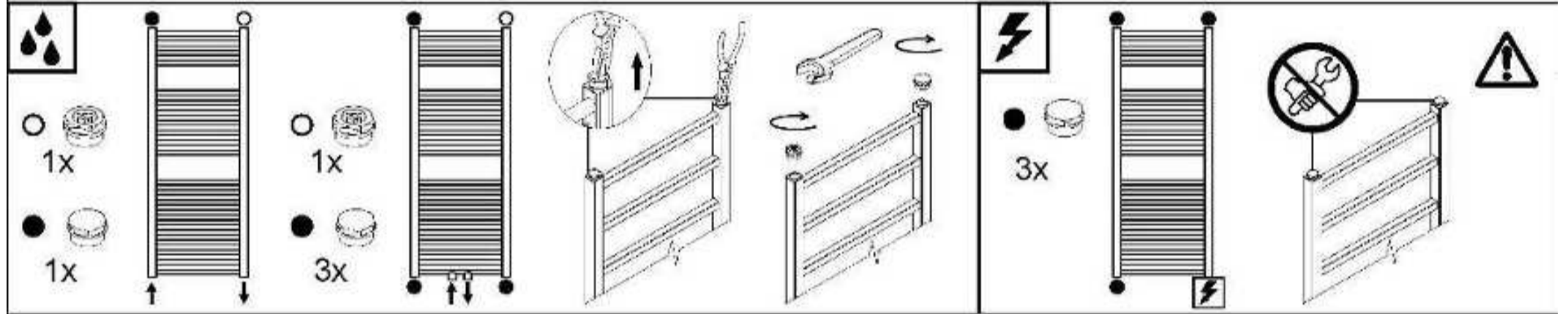
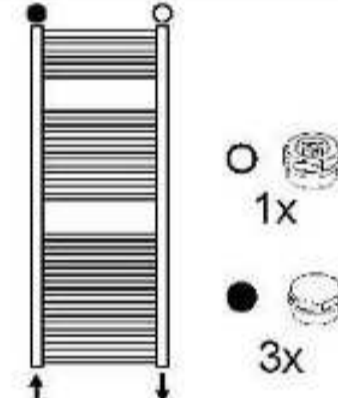
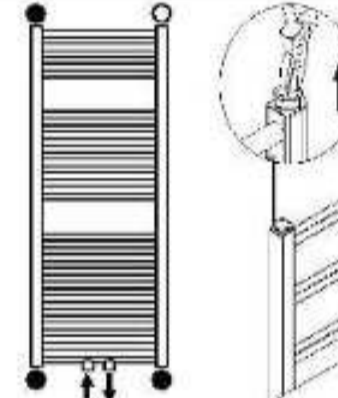
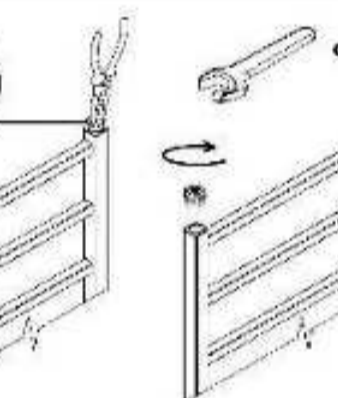
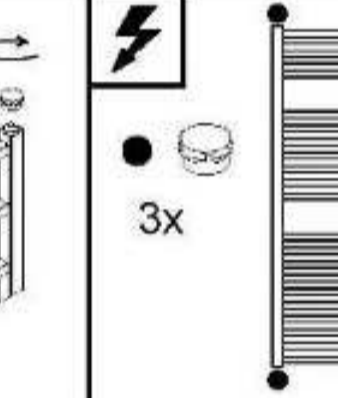
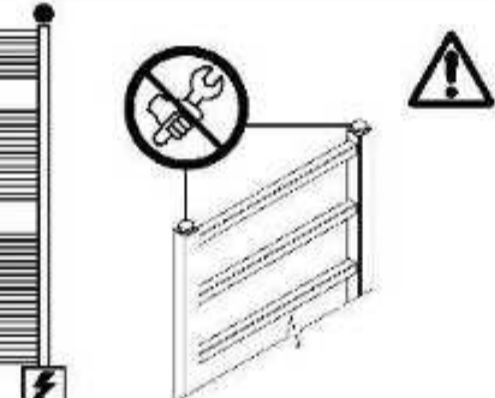


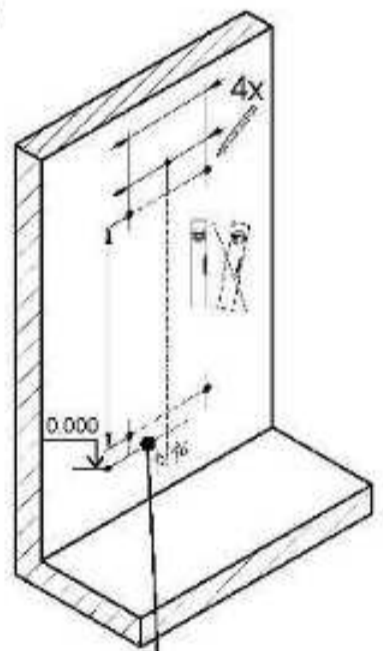
H	L	A	B	C	D	E	F	G
1500	500	235	1410	90	15	90	55-65	70-80
I	J	K	M	N	O	P		
40-50	-	min.100	470	-	-	-		

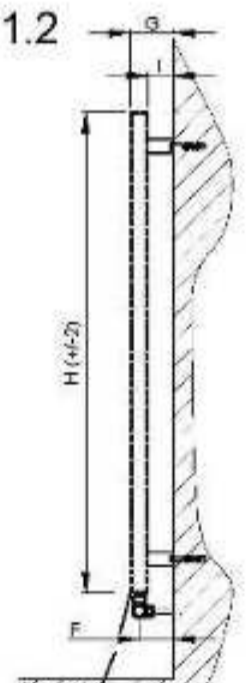
8.3	kg
4.0	l
371	W

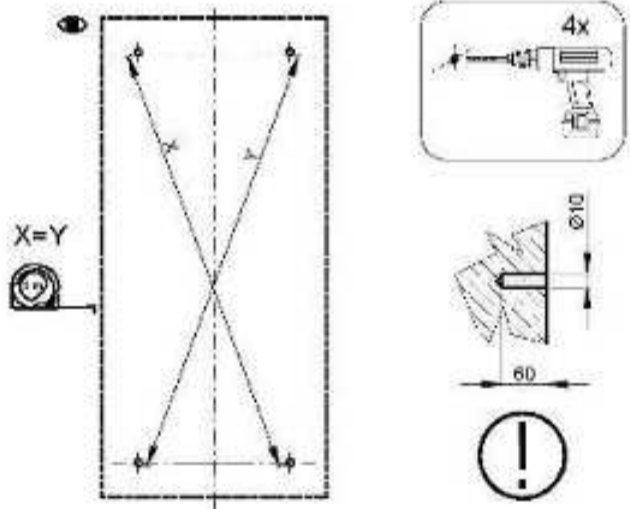


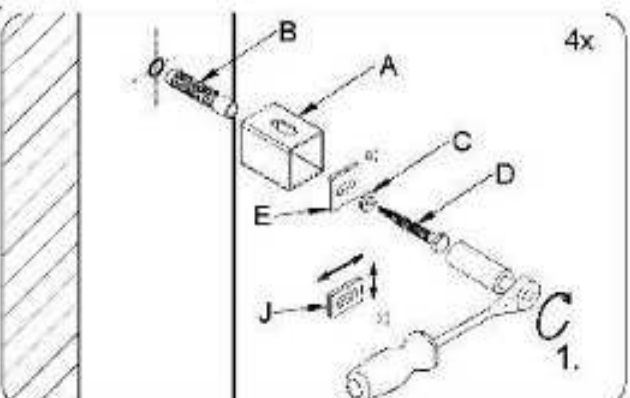
<b>A</b> 4x	<b>B</b> 4x 10x50 (100)	<b>C</b> 4x	<b>D</b> 4x MBx50 (100)	<b>E</b> 2x
<b>F</b> 4x	<b>G</b> 4x	<b>H</b> 4x	<b>I</b> 4x	<b>J</b> 2x

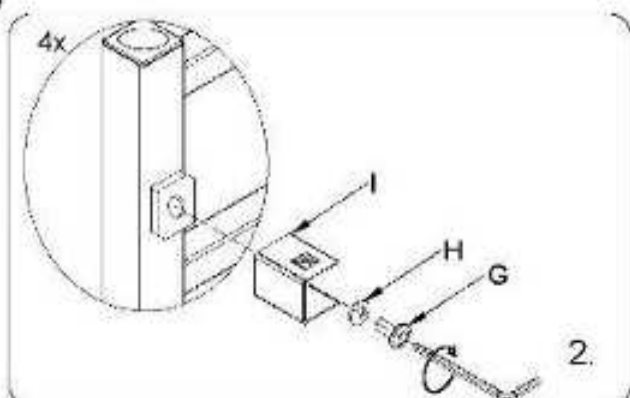








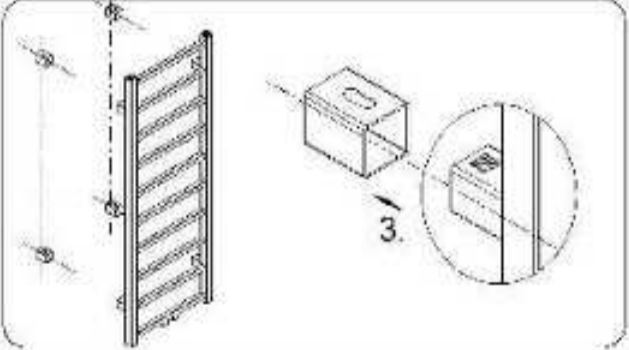
**1.1** 

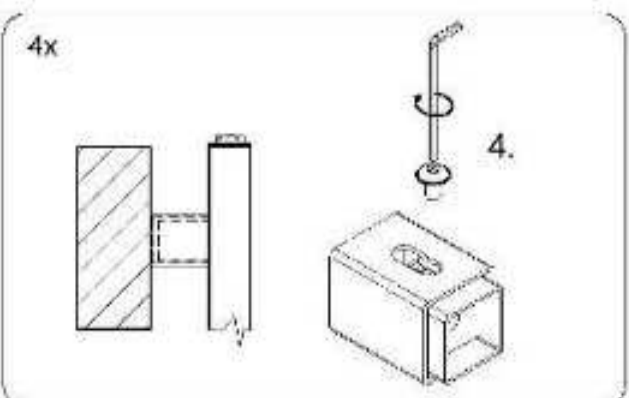
**1.2** 

**1.3** 

**1.4** 

**1.5** 

**1.6** 

**1.7** 

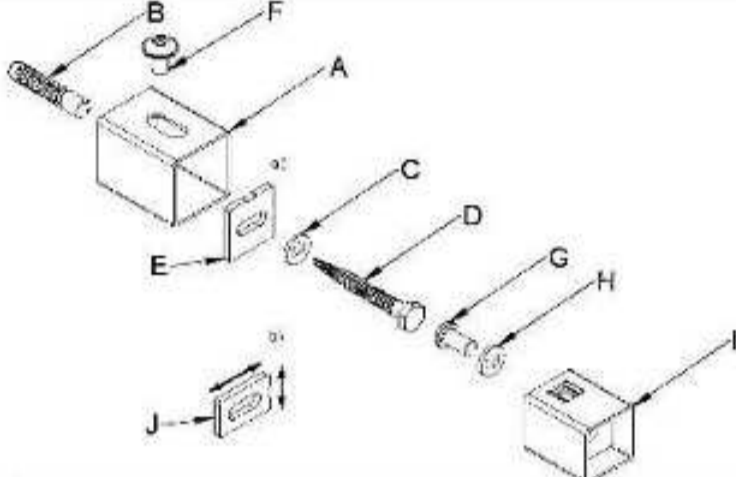


DFRE18600500SK01-0110

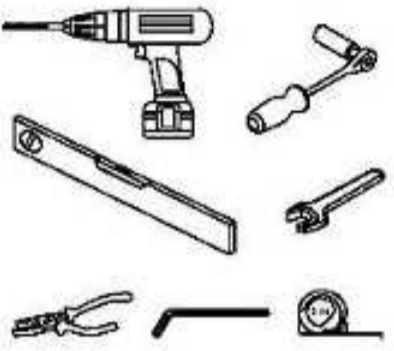

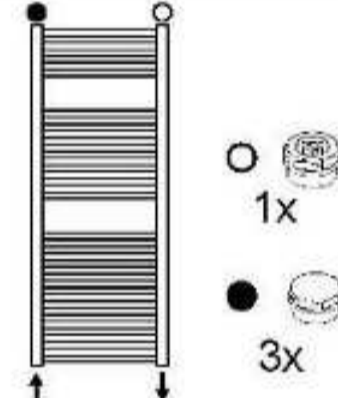
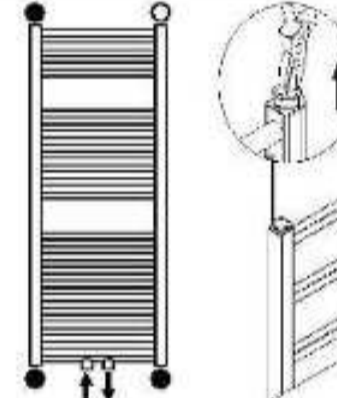
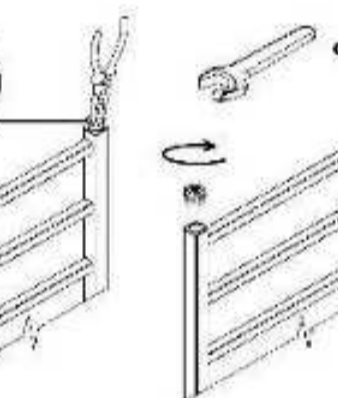
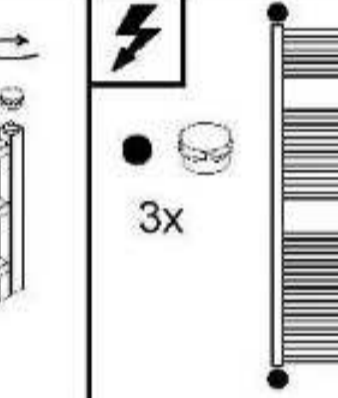
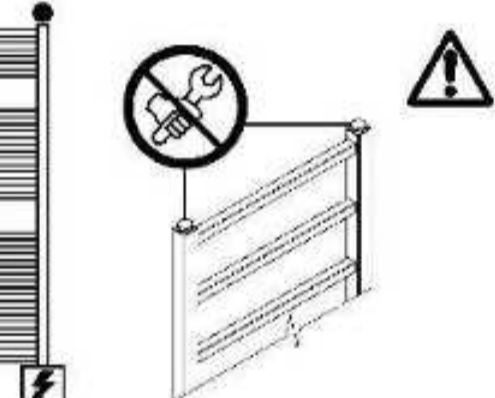


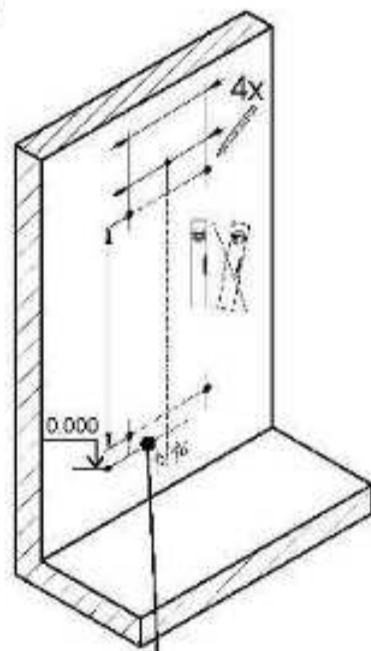
H	L	A	B	C	D	E	F	G
1860	500	235	1770	90	15	90	55-65	70-80
I	J	K	M	N	O	P		
40-50	-	min.100	470	-	-	-		

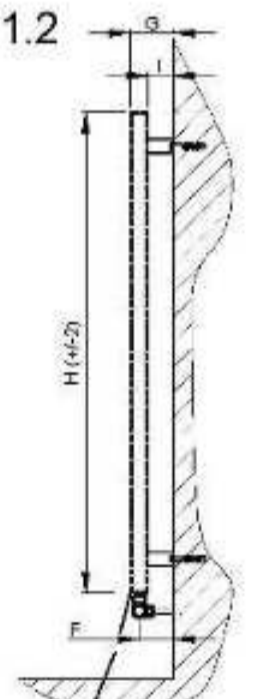
10.2	kg
4.9	l
459	W

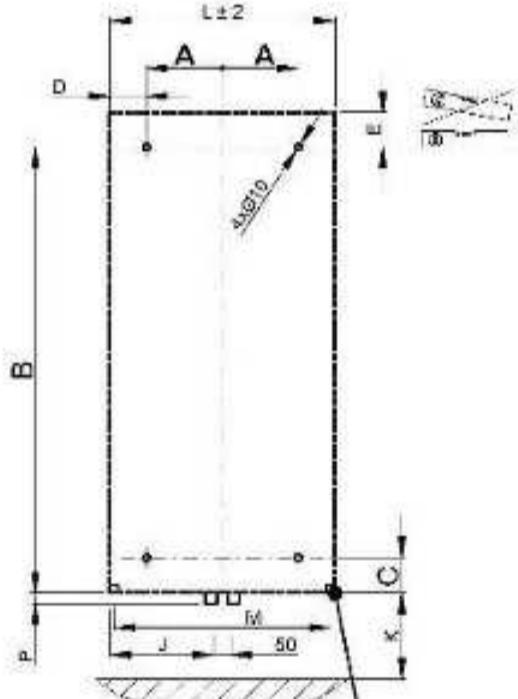


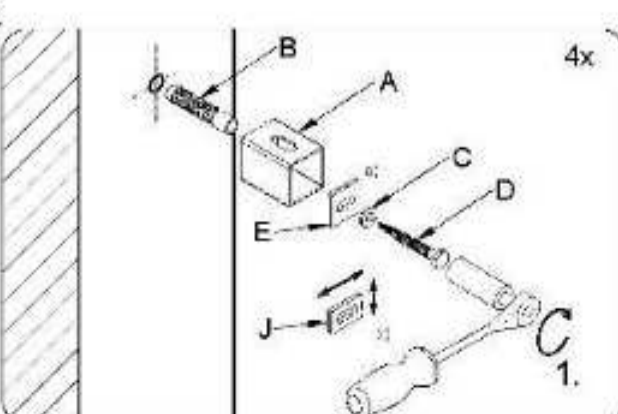
A 4x	B 4x 10x50 (100)	C 4x	D 4x MBx50 (100)	E 2x
F 4x	G 4x	H 4x	I 4x	J 2x

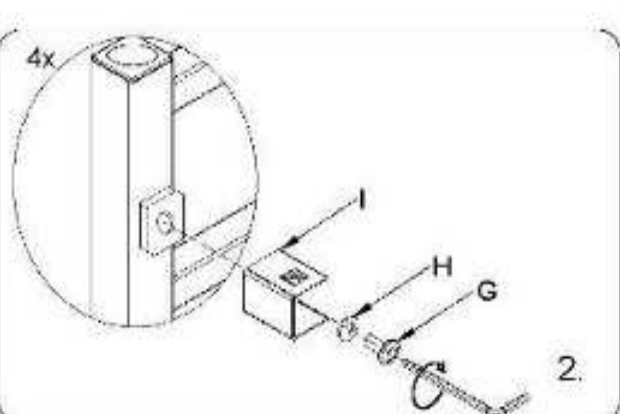








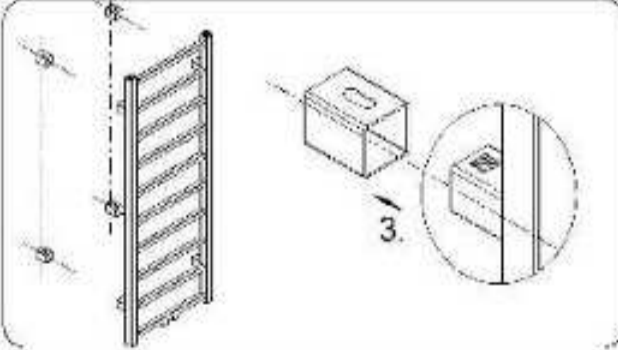
**1.1** 

**1.2** 

**1.3** 

**1.4** 

**1.5** 

**1.6** 

**1.7** 