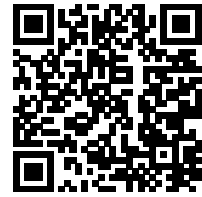


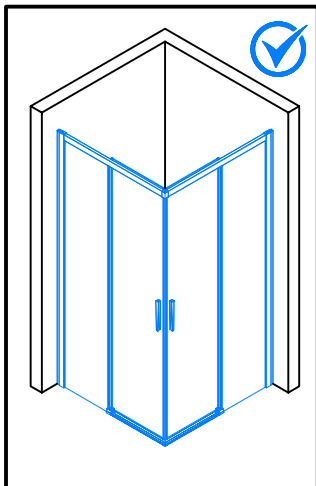
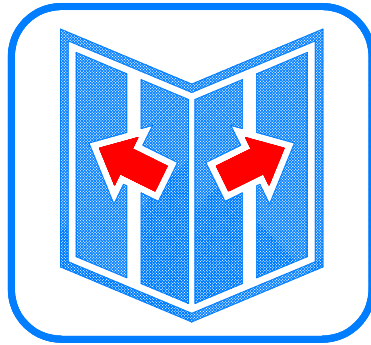
19744



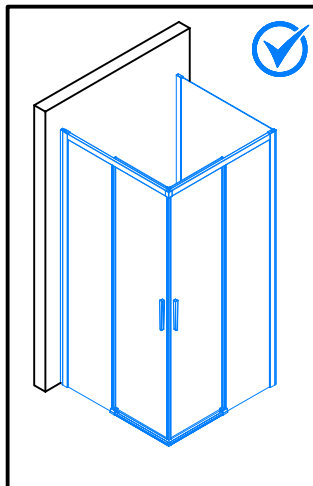
D22SE2B



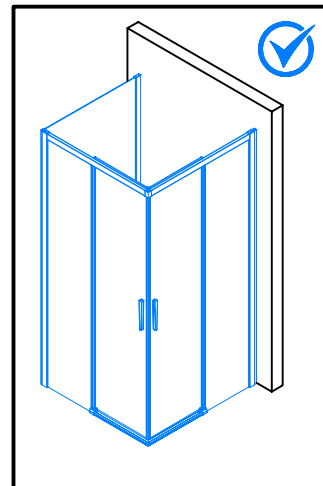
D22SE2B + D22F1

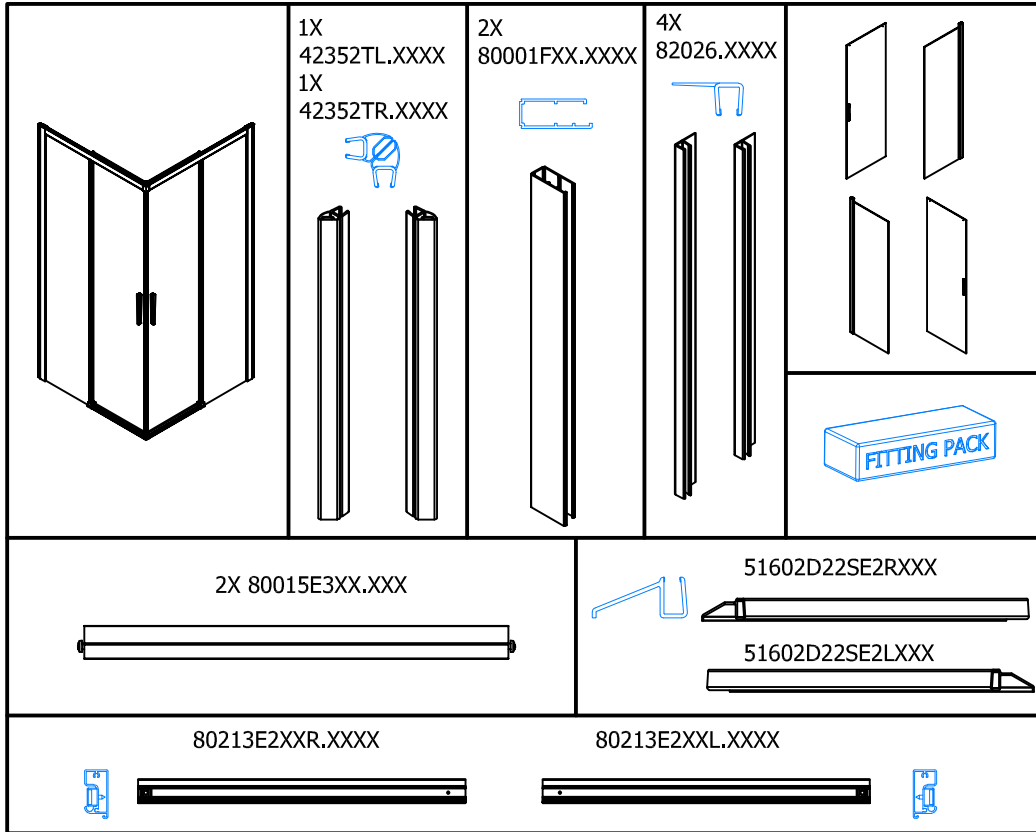
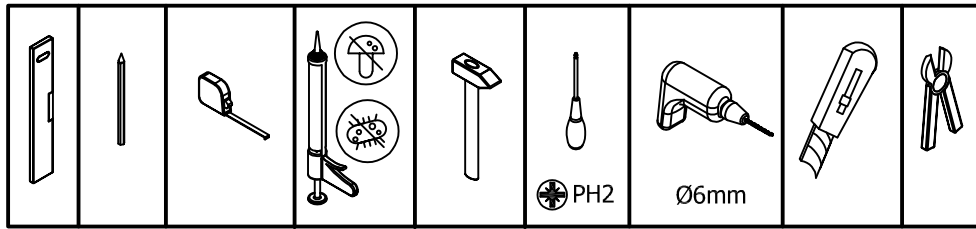
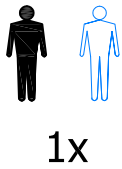


P1. → P14.

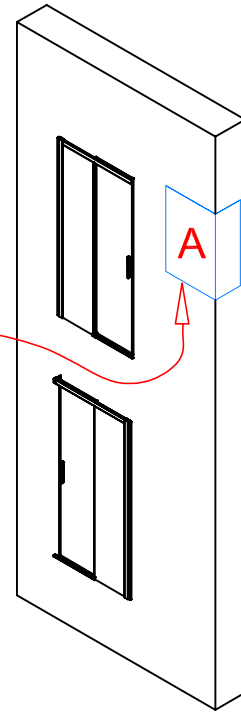
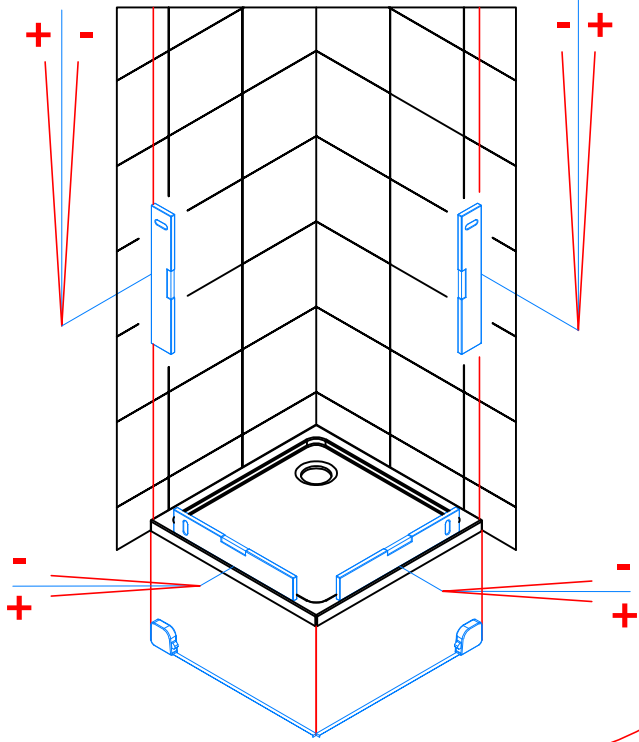


P15. → P33.



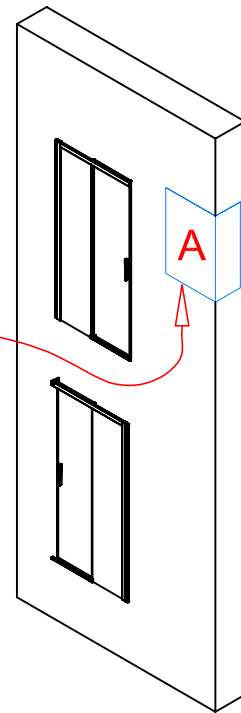
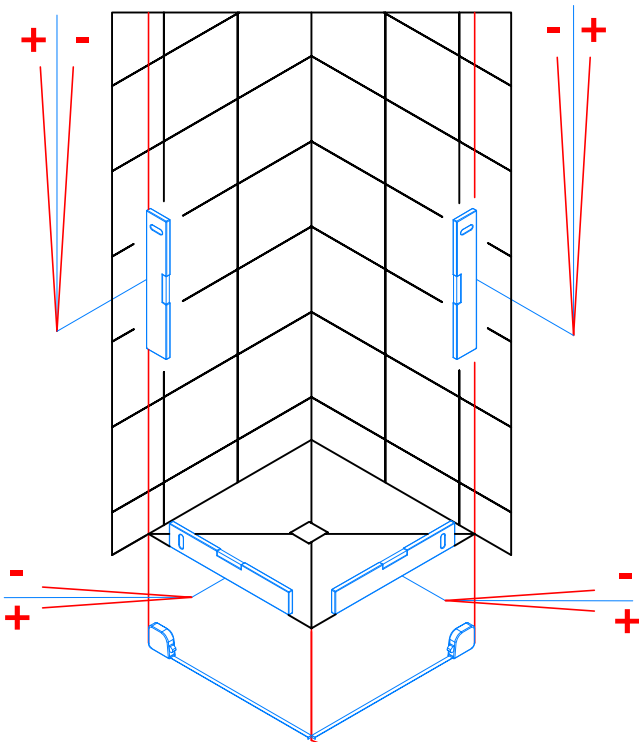


	<p>2.5 mm - 17165</p> <p>1 x 11221</p>	<p>6 x 14295 4.2X32mm</p>	<p>2 x 81125.XX</p>	<p>4 x MT8004.XX</p>	<p>1 x 81377</p>
	<p>2 x 14196</p>	<p>6 x 16000 ø 6mm</p>	<p>1 x MT0442.XX</p>	<p>1 x MT0441.XX</p>	<p>1 x 81376</p>
	<p>1 x 81169</p>	<p>2 x 81238</p>	<p>2 x 81121.XX</p>	<p>81448.XX</p>	<p>4 x 81393.XX</p>
	<p>81127.XX</p>	<p>2 x 14190</p> <p>2 x 14194</p>	<p>4 x 14006</p>	<p>2 x 81164.XX</p> <p>2 x 81163.XX</p>	<p>4 x 81036.XX</p>

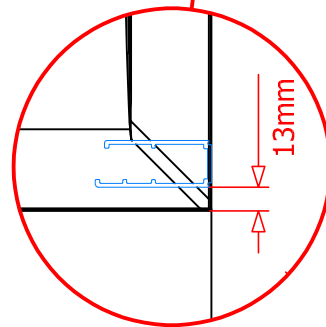
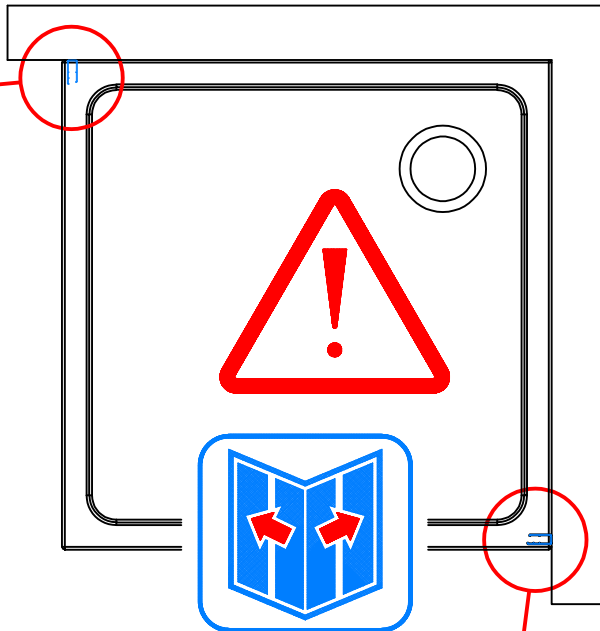
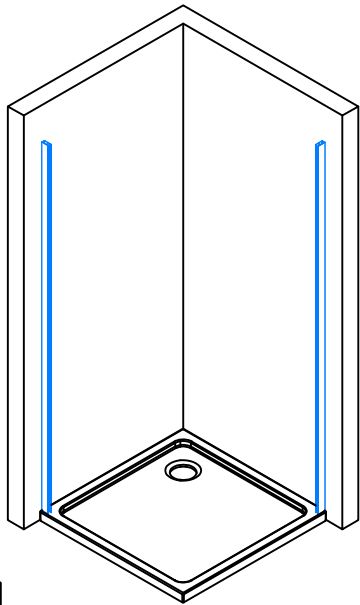
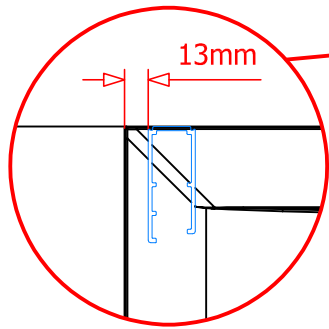


A	
STD	SM
-20 ; +10	-10 ; +20

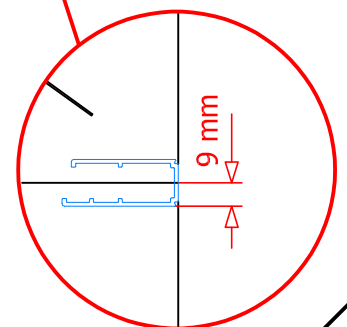
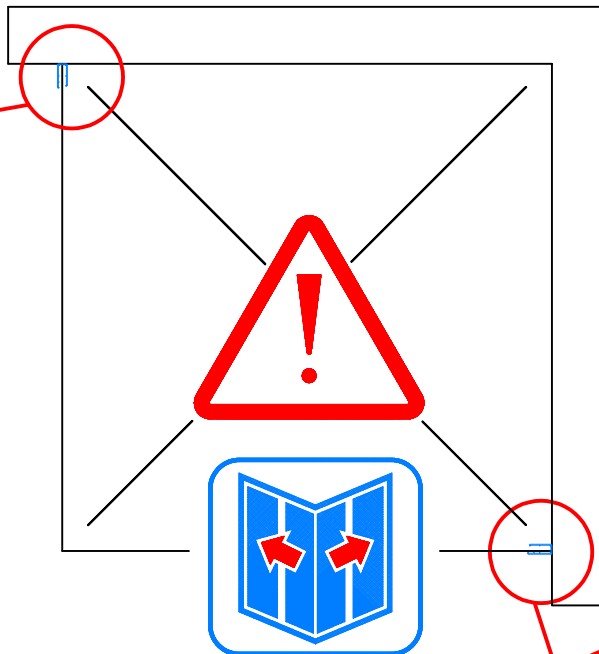
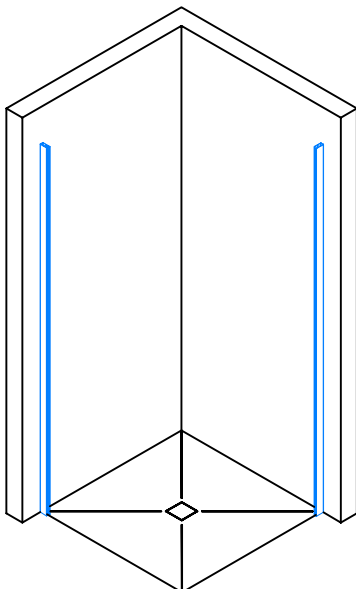
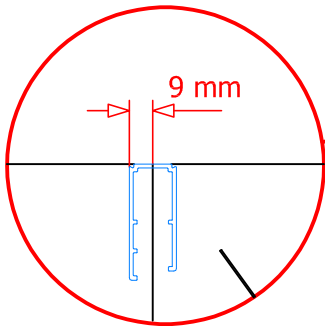
1.



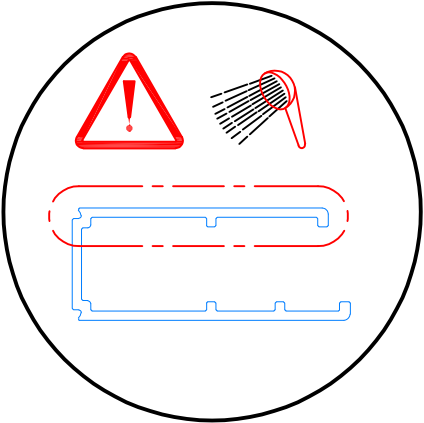
A	
STD	SM
-42 ; -12	-10 ; +20



2.

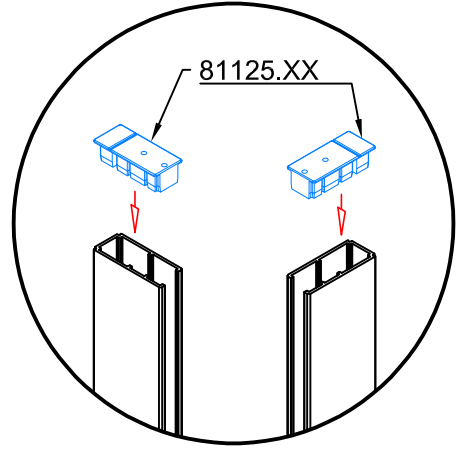
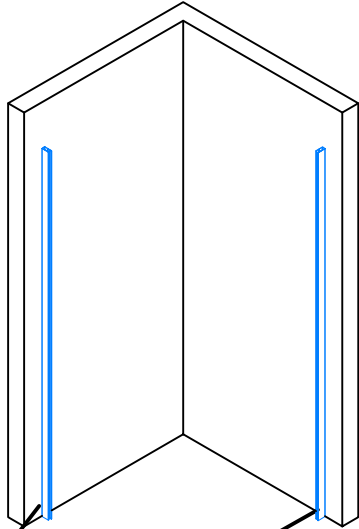


3.1 → 3.4



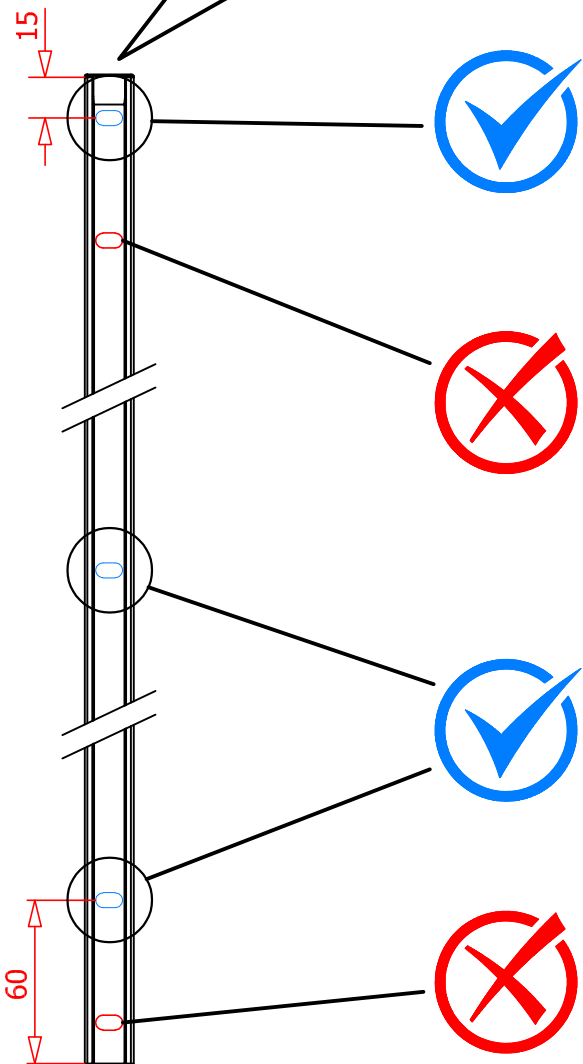
3.1

3.2



3.4

3.3

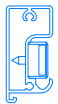


-
-
-
- 6X ϕ 6mm
-
- 6 x 16000
- 14295
-

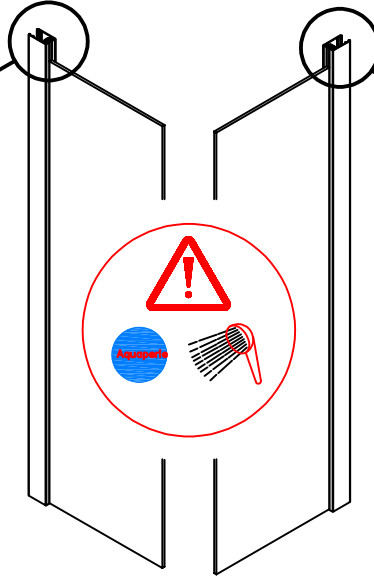
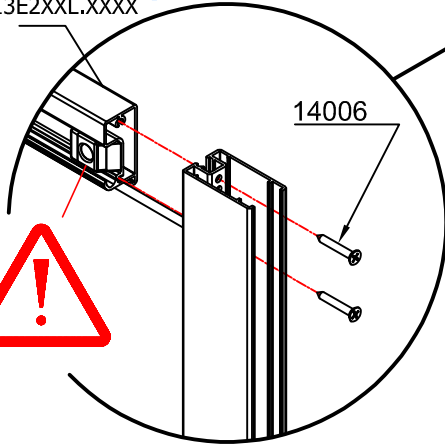
4.1 → 4.4

4.1

80213E2XXL.XXXX



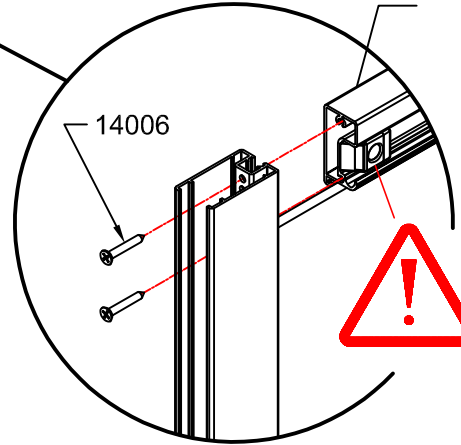
14006



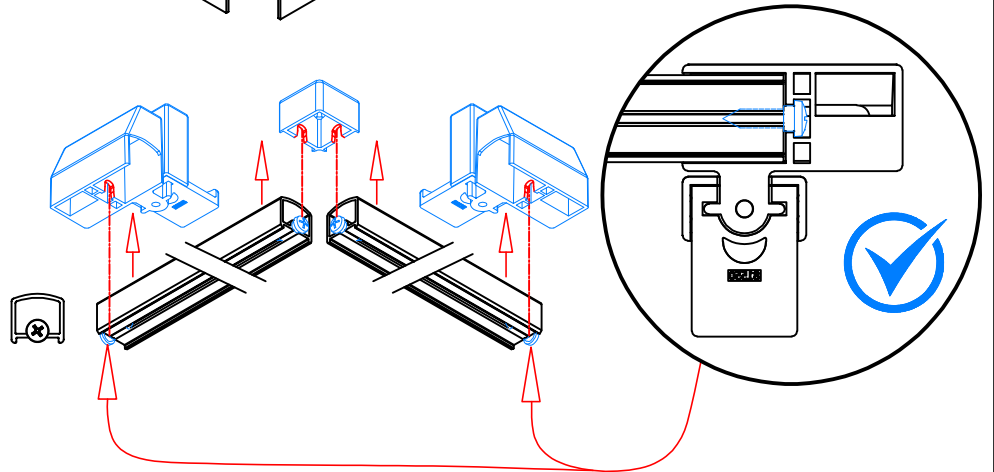
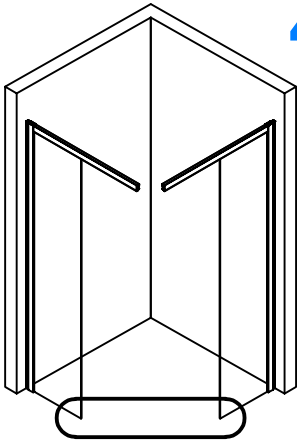
80213E2XXR.XXXX



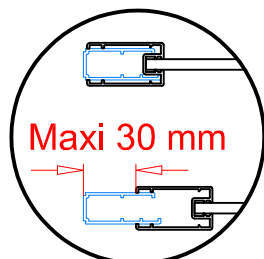
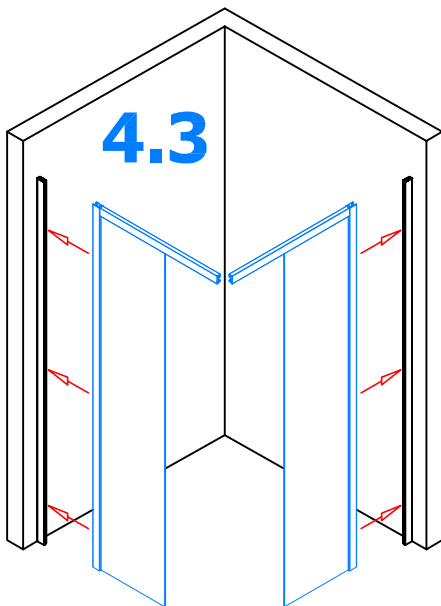
14006



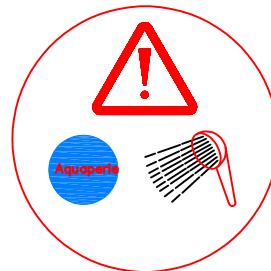
4.2



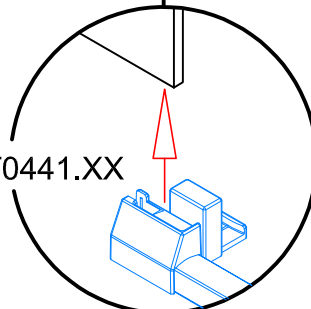
4.3



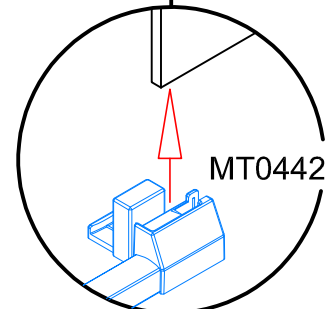
4.4



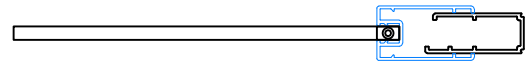
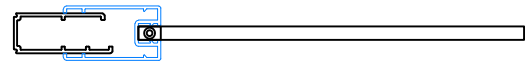
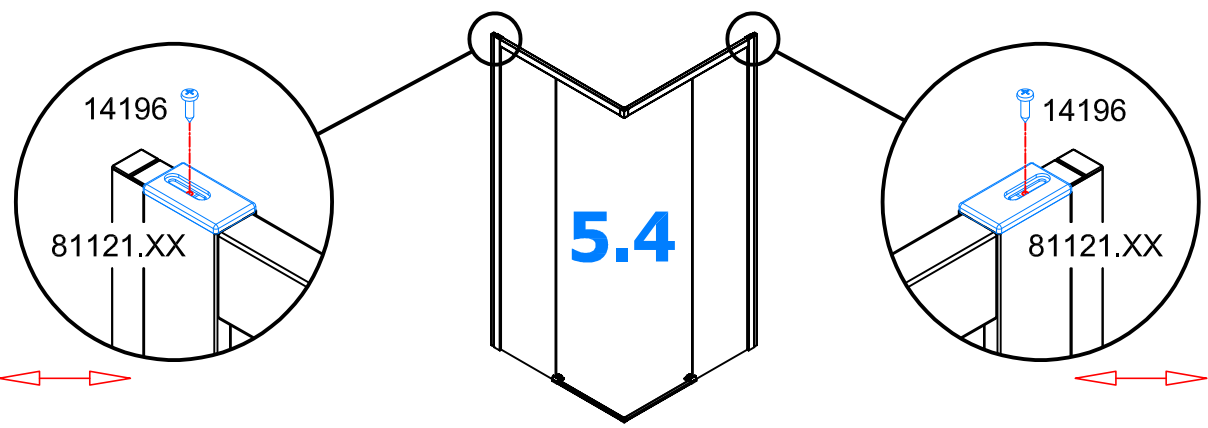
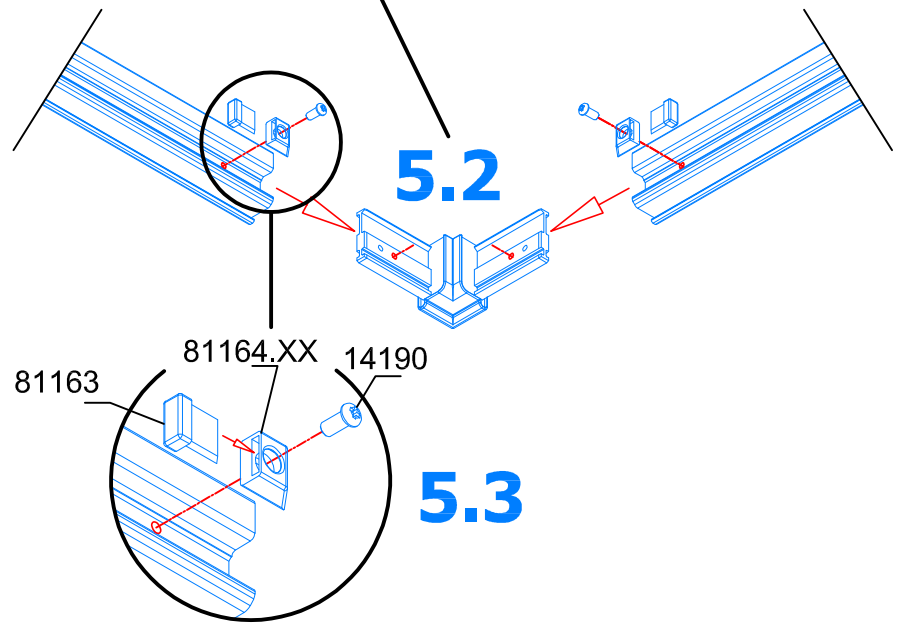
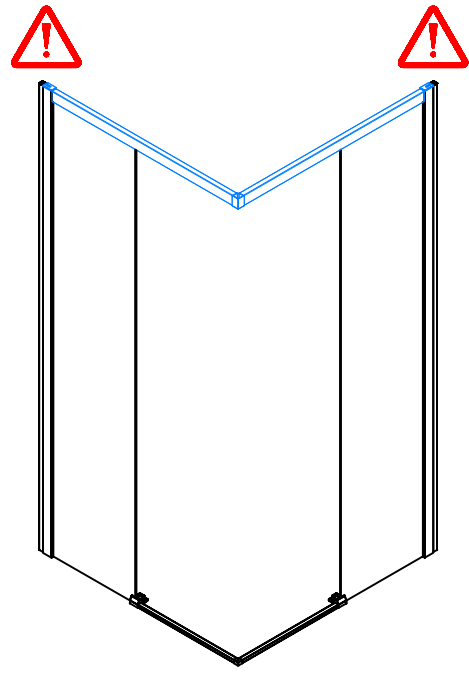
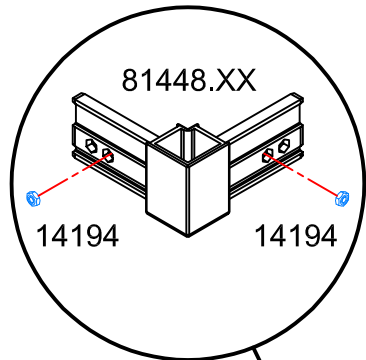
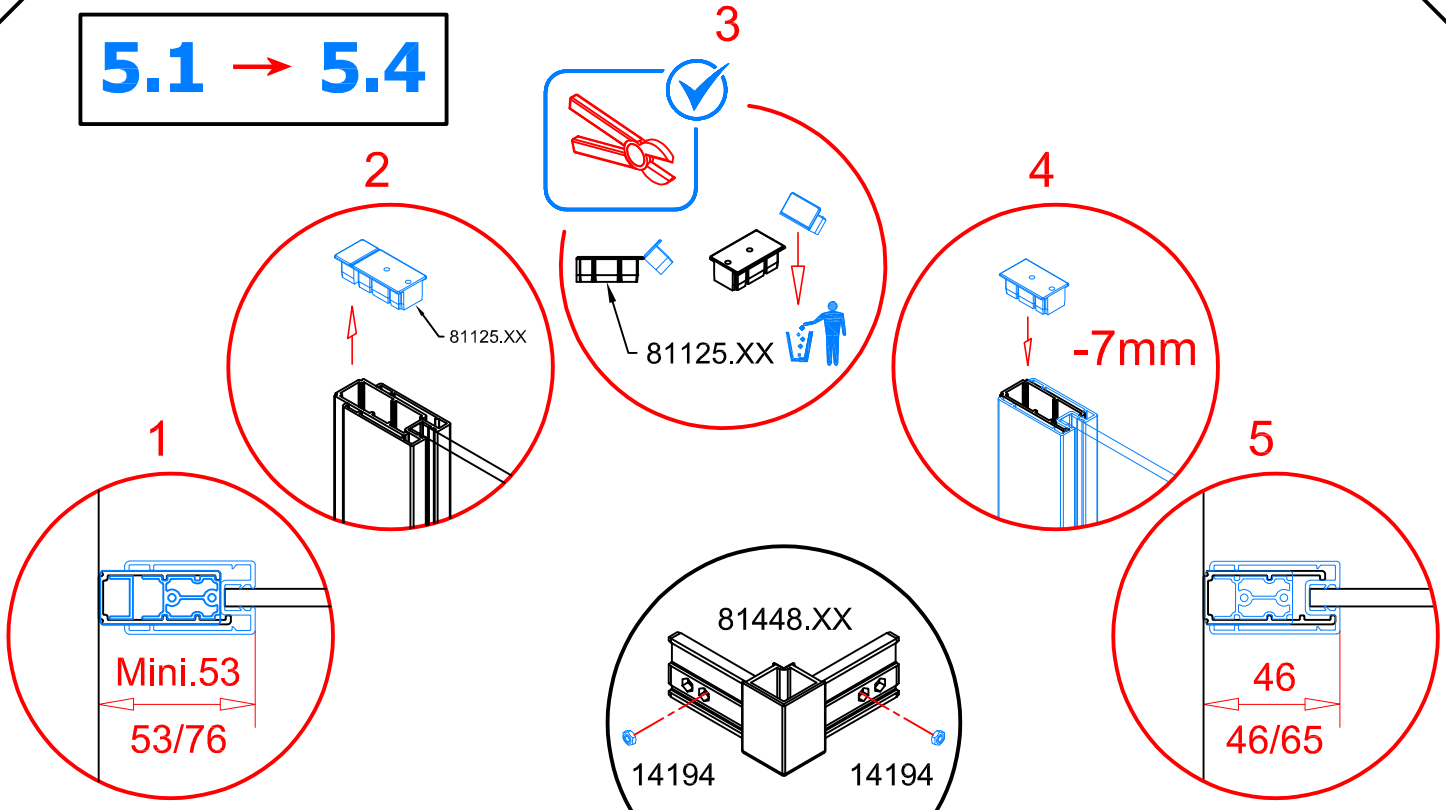
MT0441.XX



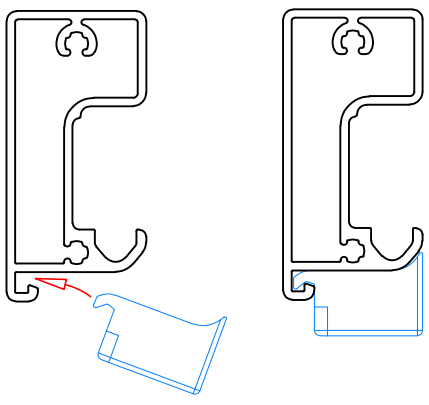
MT0442.XX



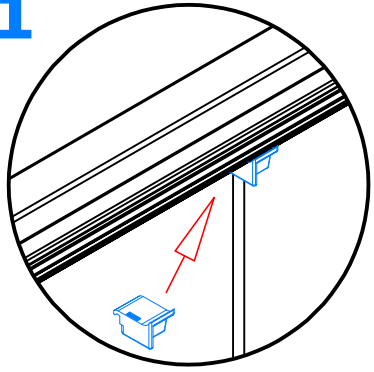
5.1 → 5.4



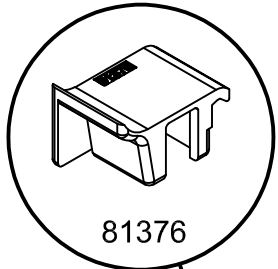
6.1 → 6.4



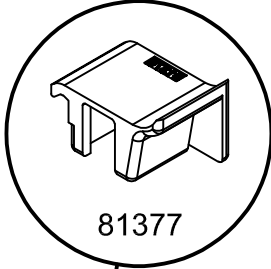
6.1



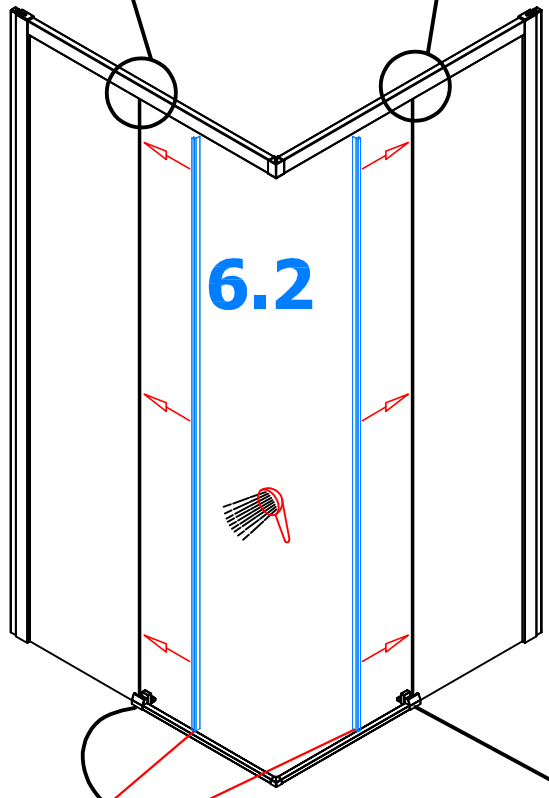
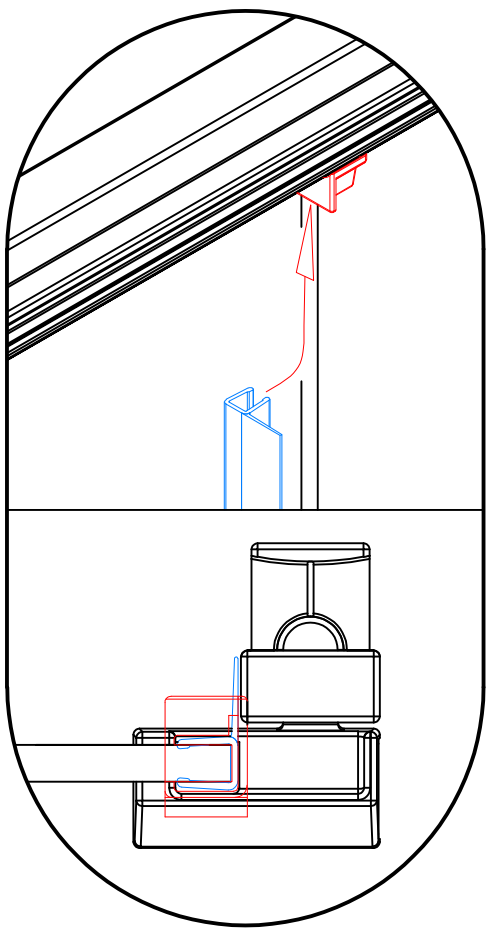
6.4



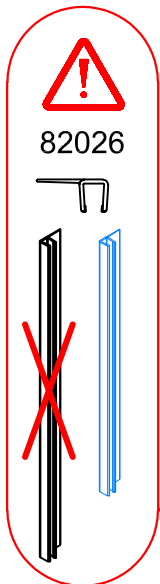
81376



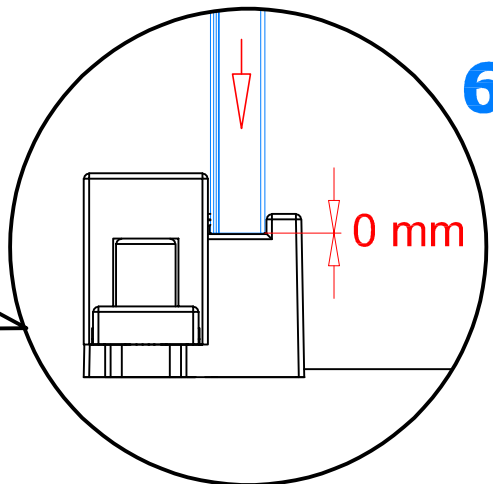
81377



6.2



82026

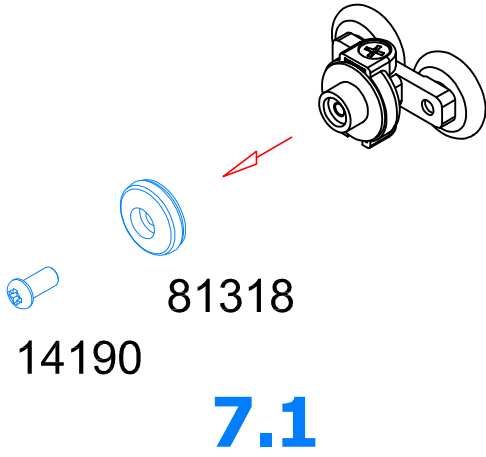


6.3

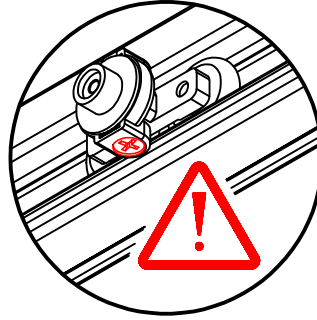
0 mm

2X

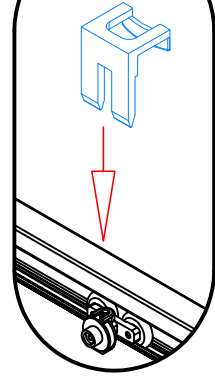
MT8004.XX



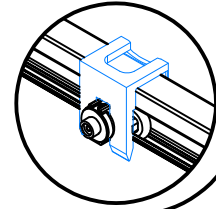
7.2



81238

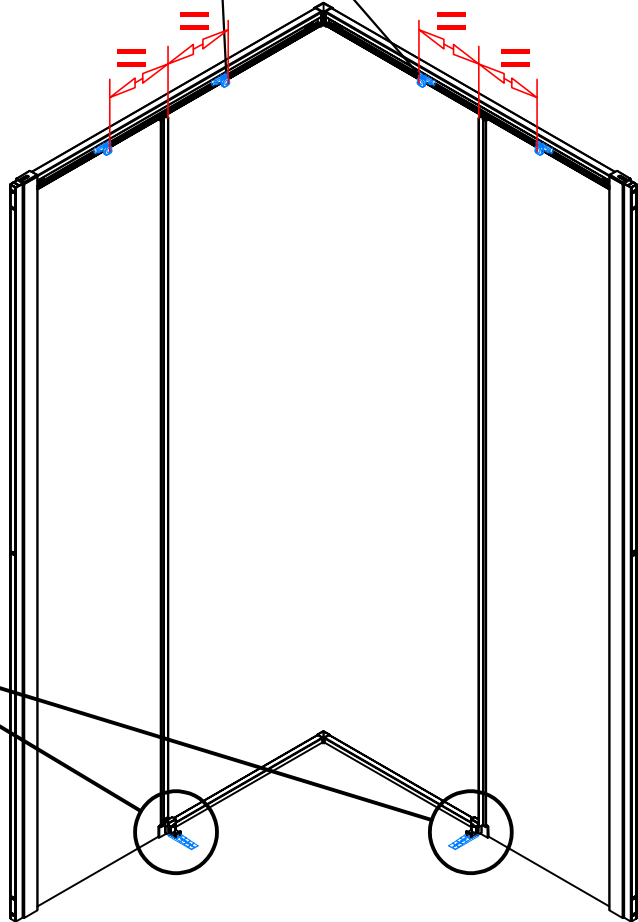
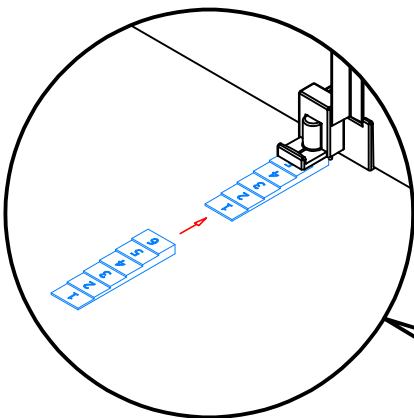


7.3

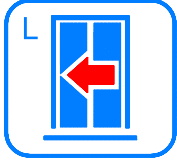


7.1 → 7.4

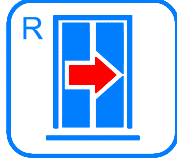
7.4



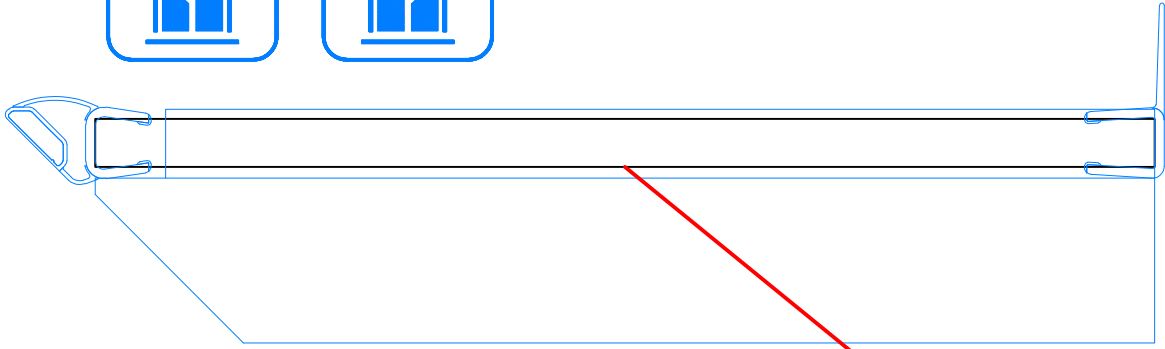
1X



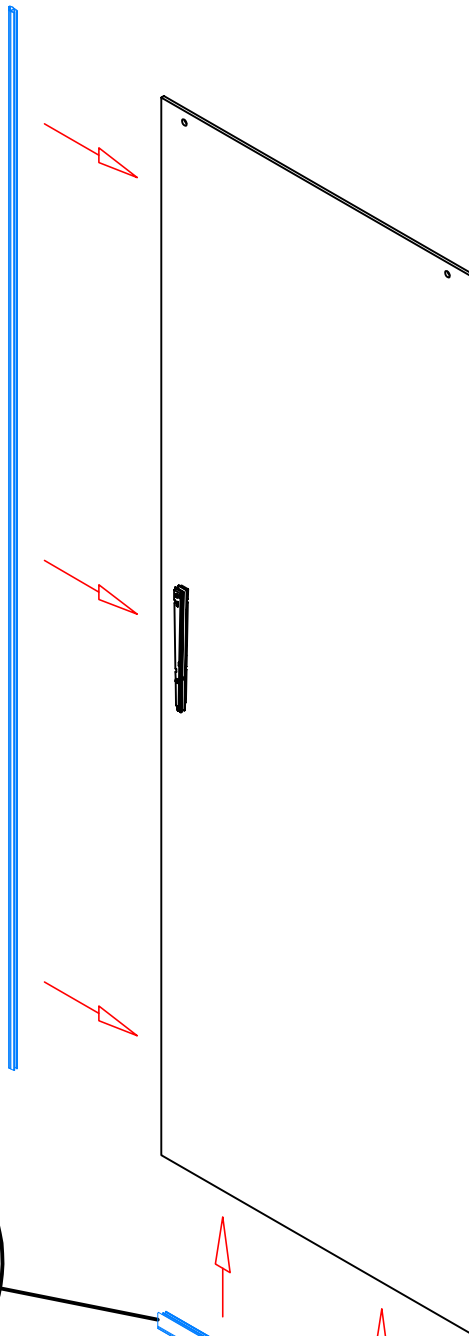
1X



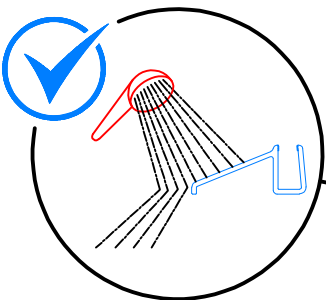
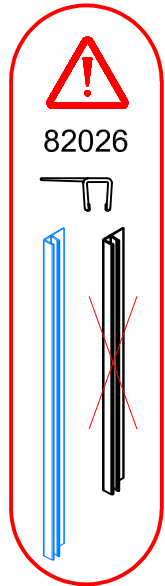
8.1 → 8.3



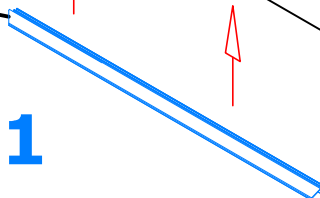
8.2



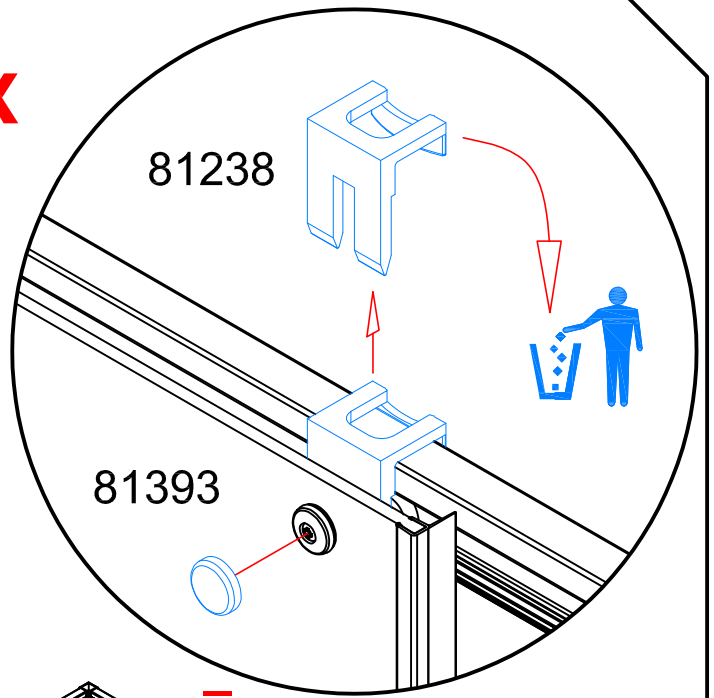
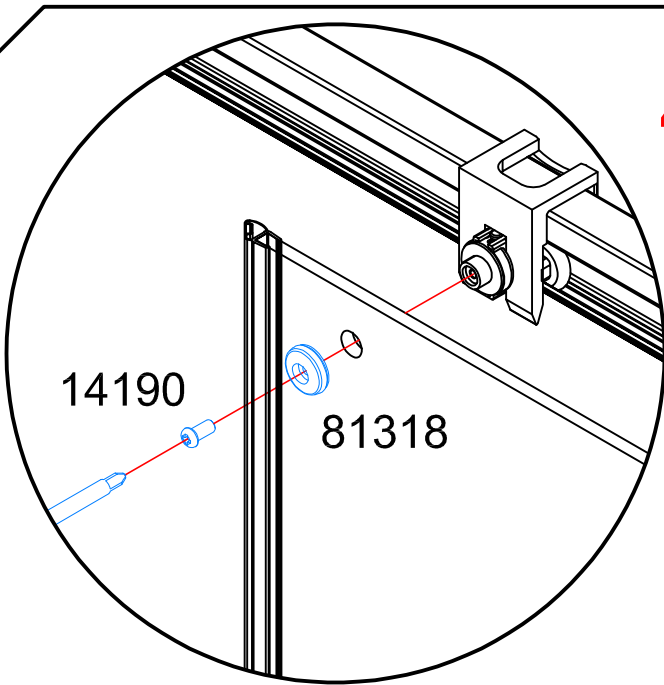
8.3



8.1



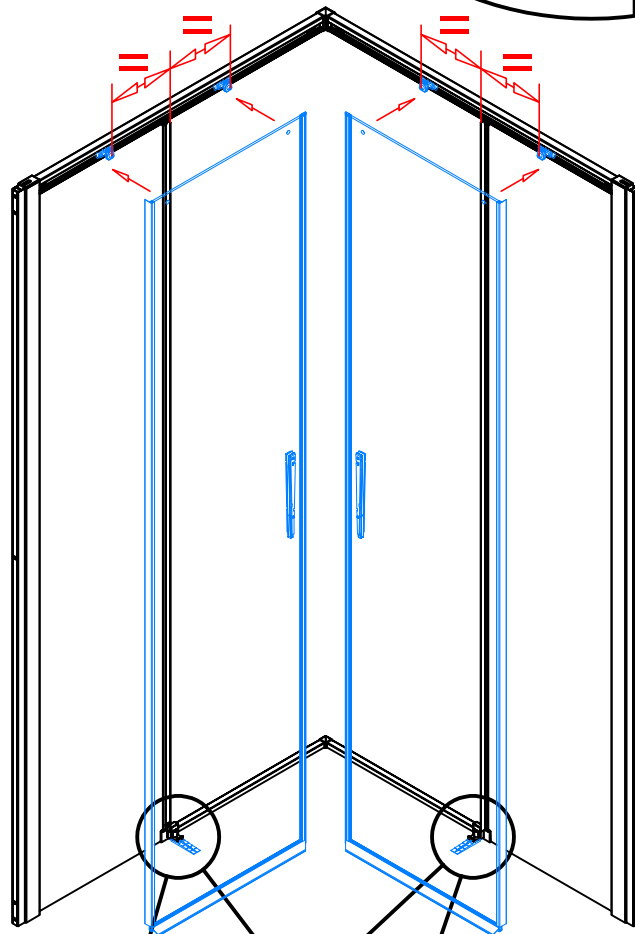
4X



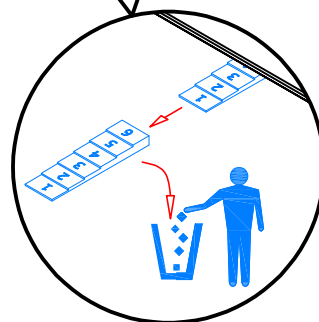
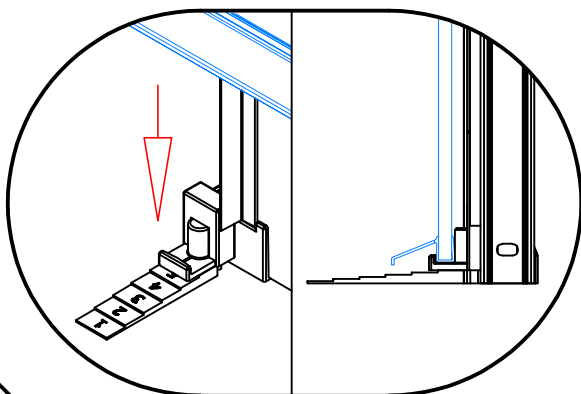
9.2

9.3

9.1 → 9.4

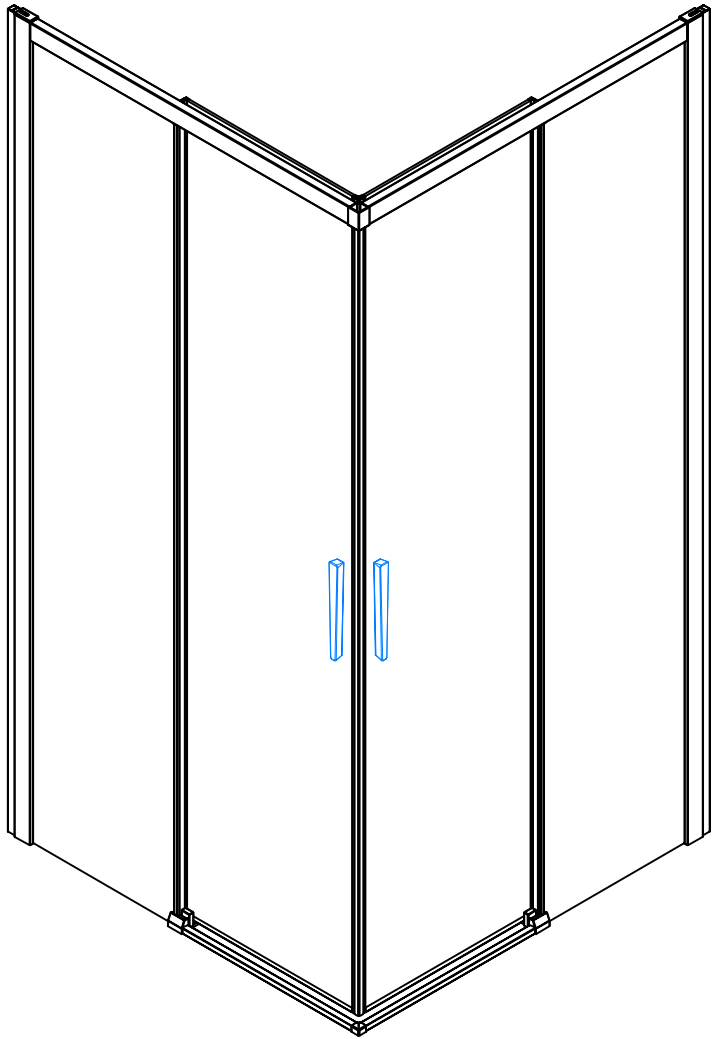
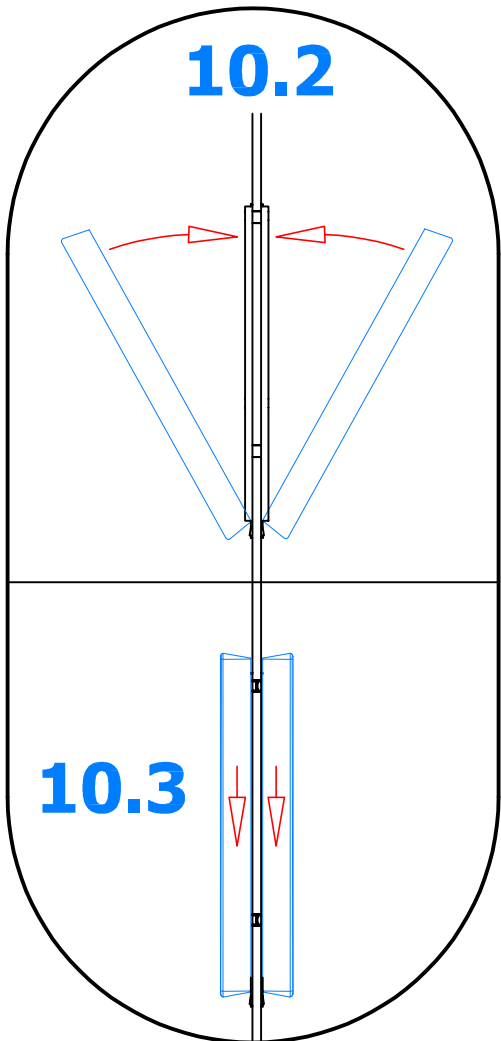
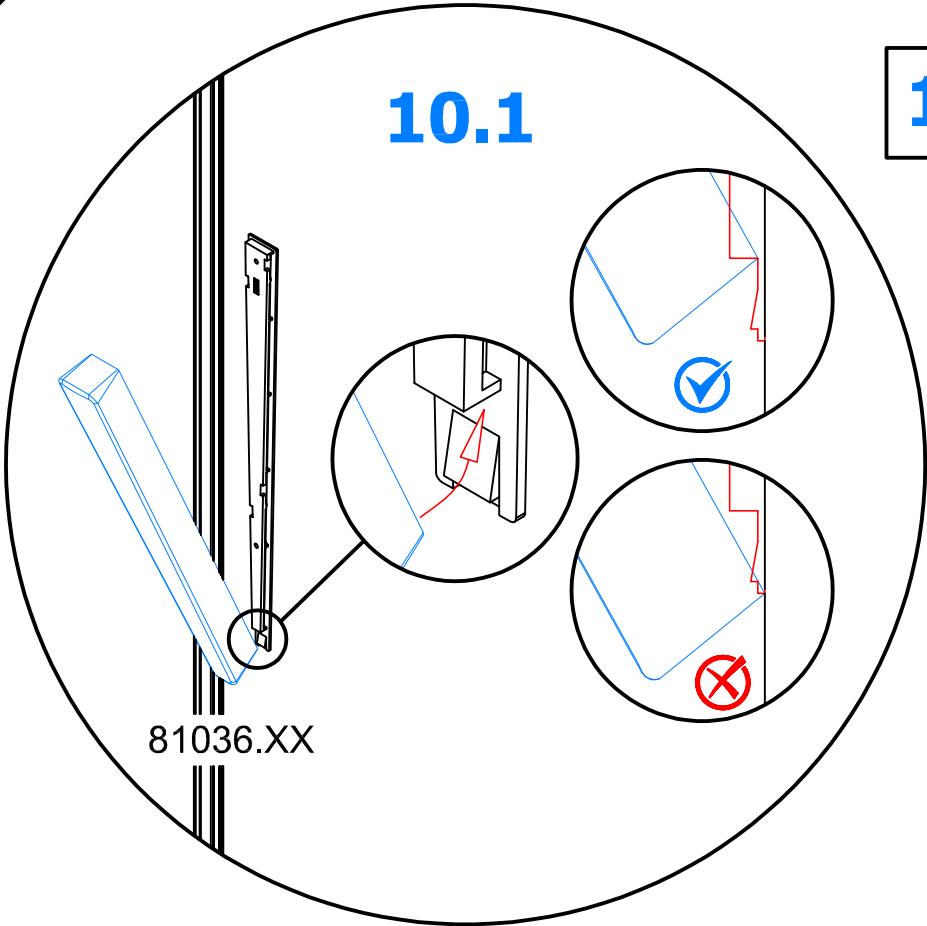


9.1

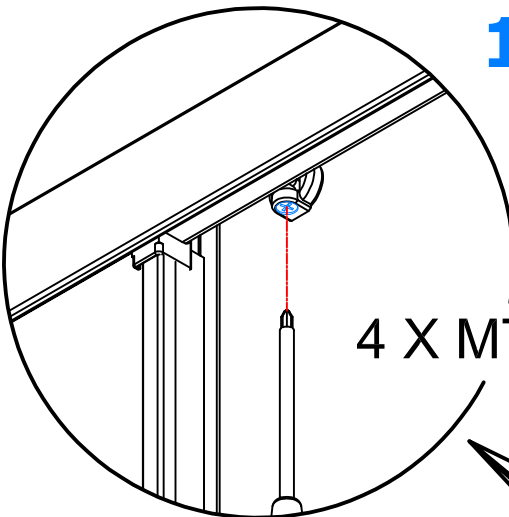


9.4

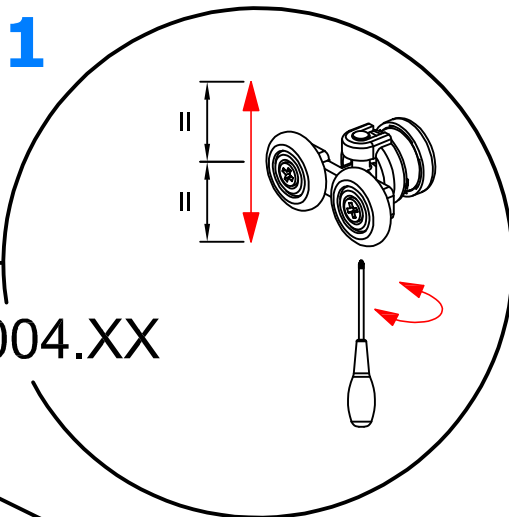
10.1 → 10.3



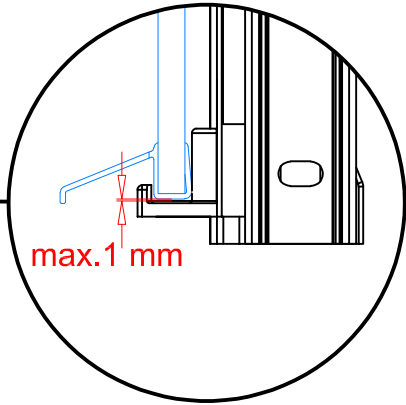
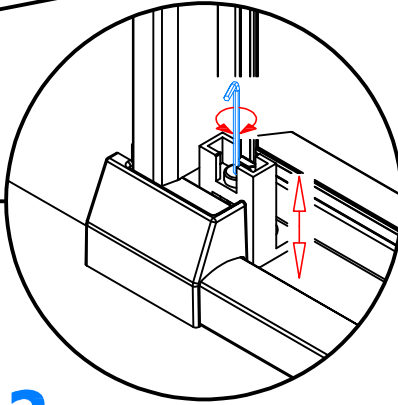
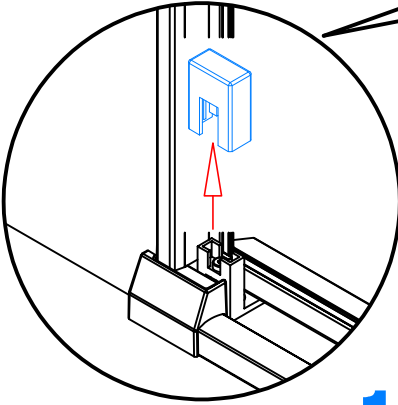
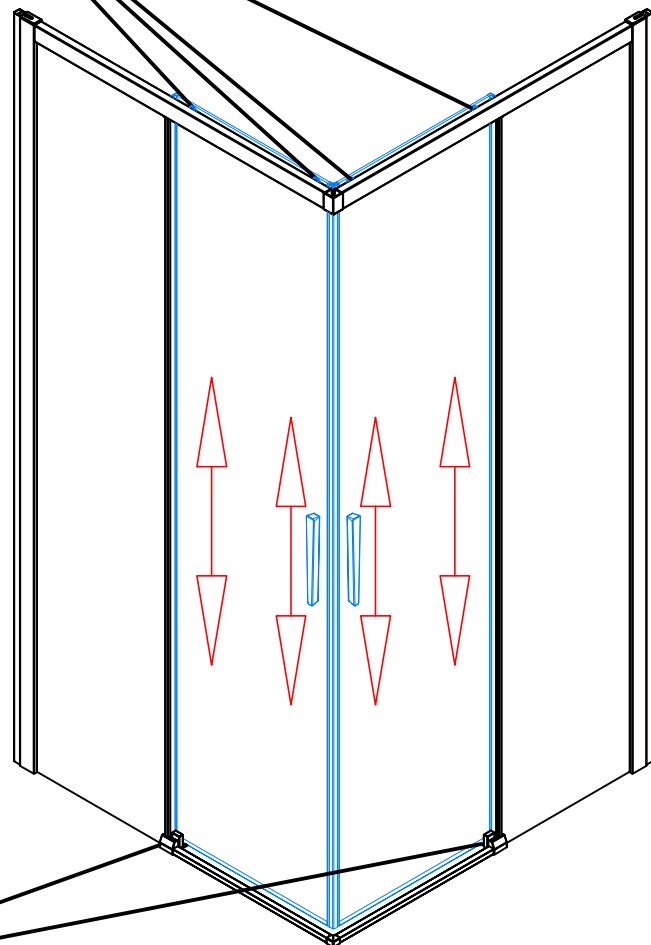
11.1



4 X MT8004.XX

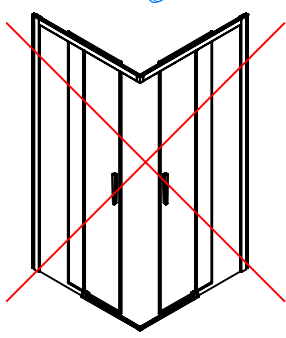
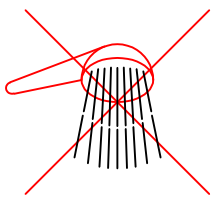
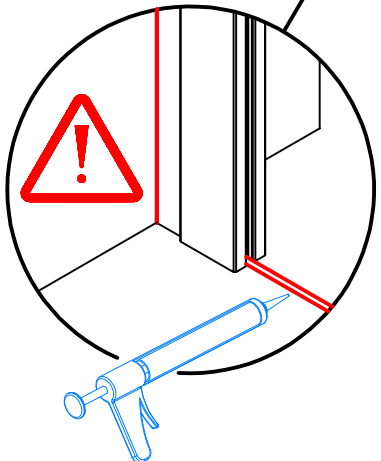
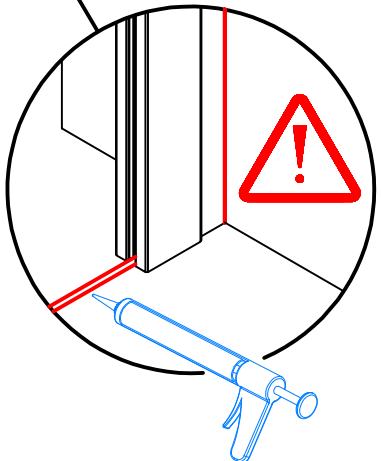
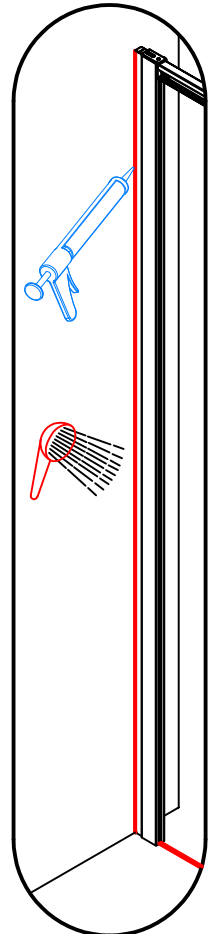
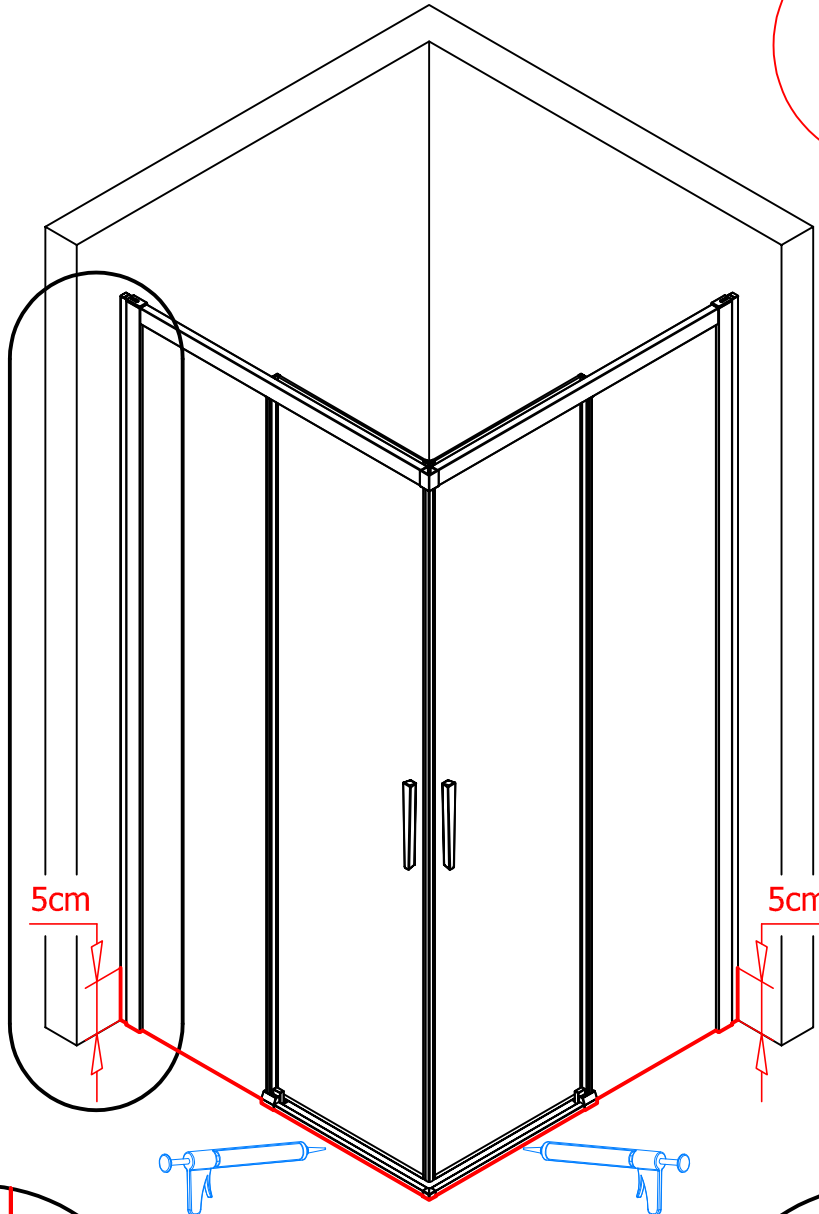
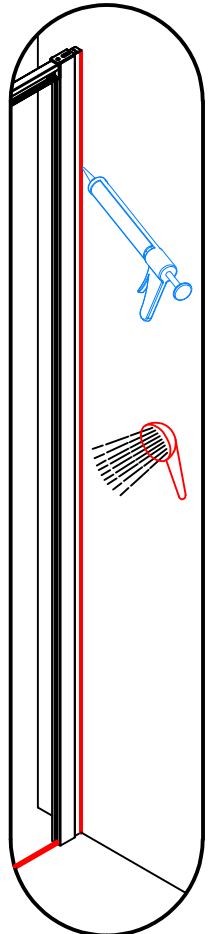
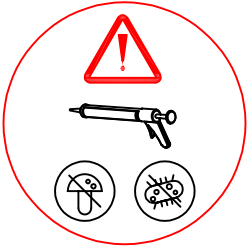


11.1 → 11.2



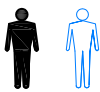
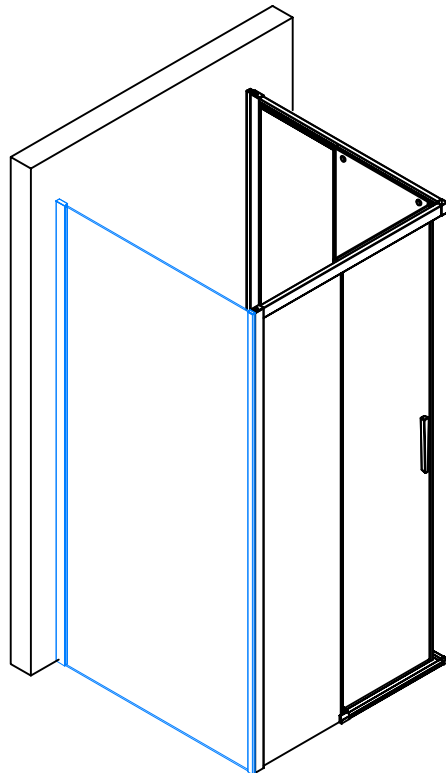
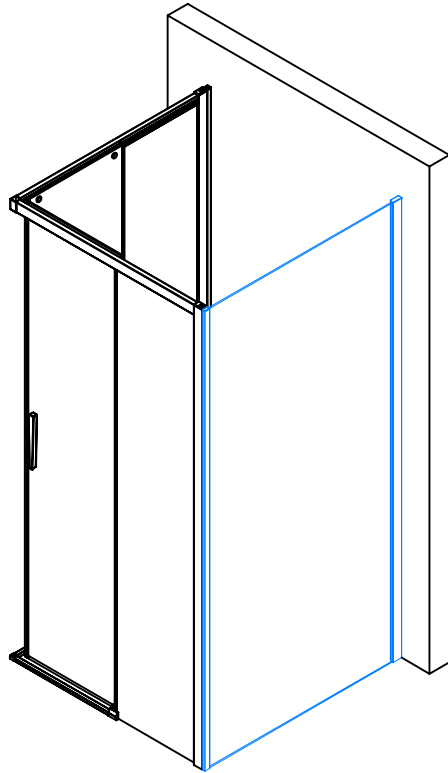
11.2

12.

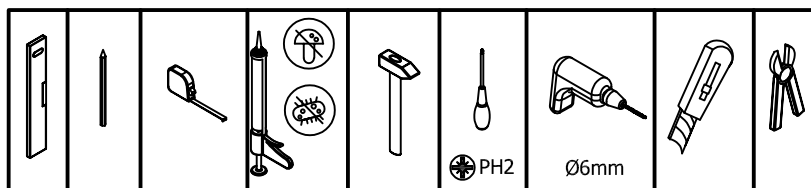


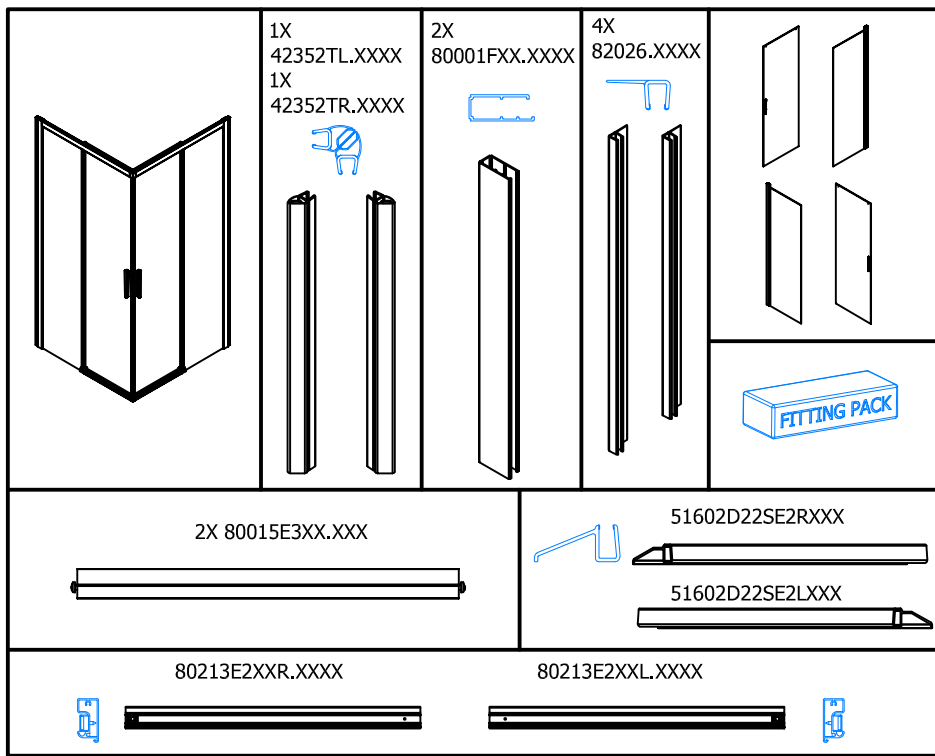


P16. → P33.

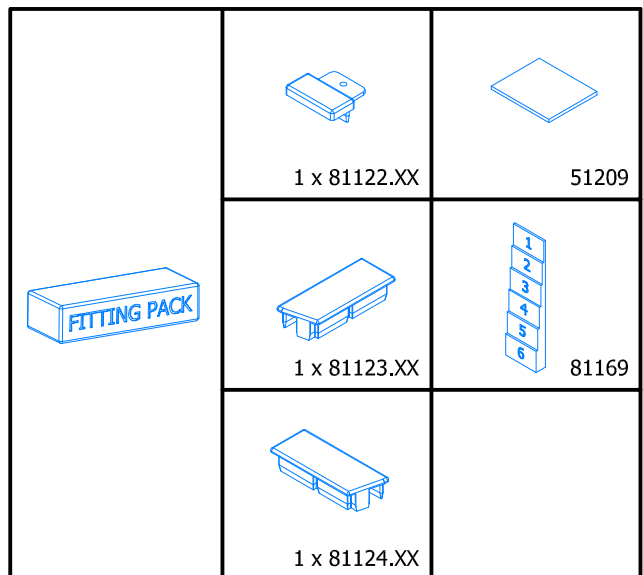
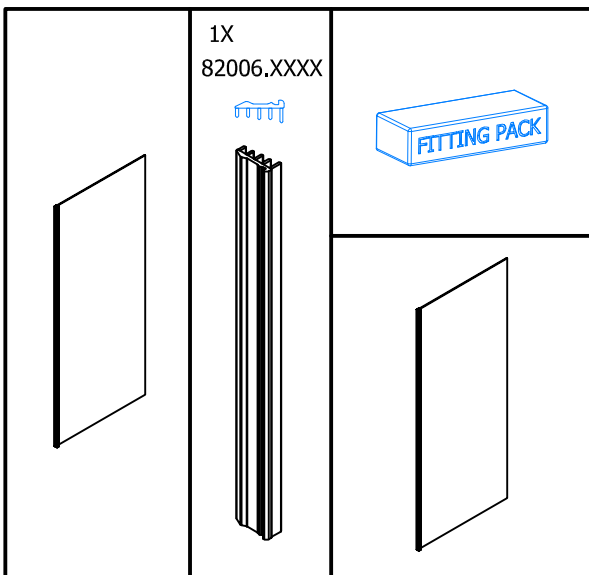


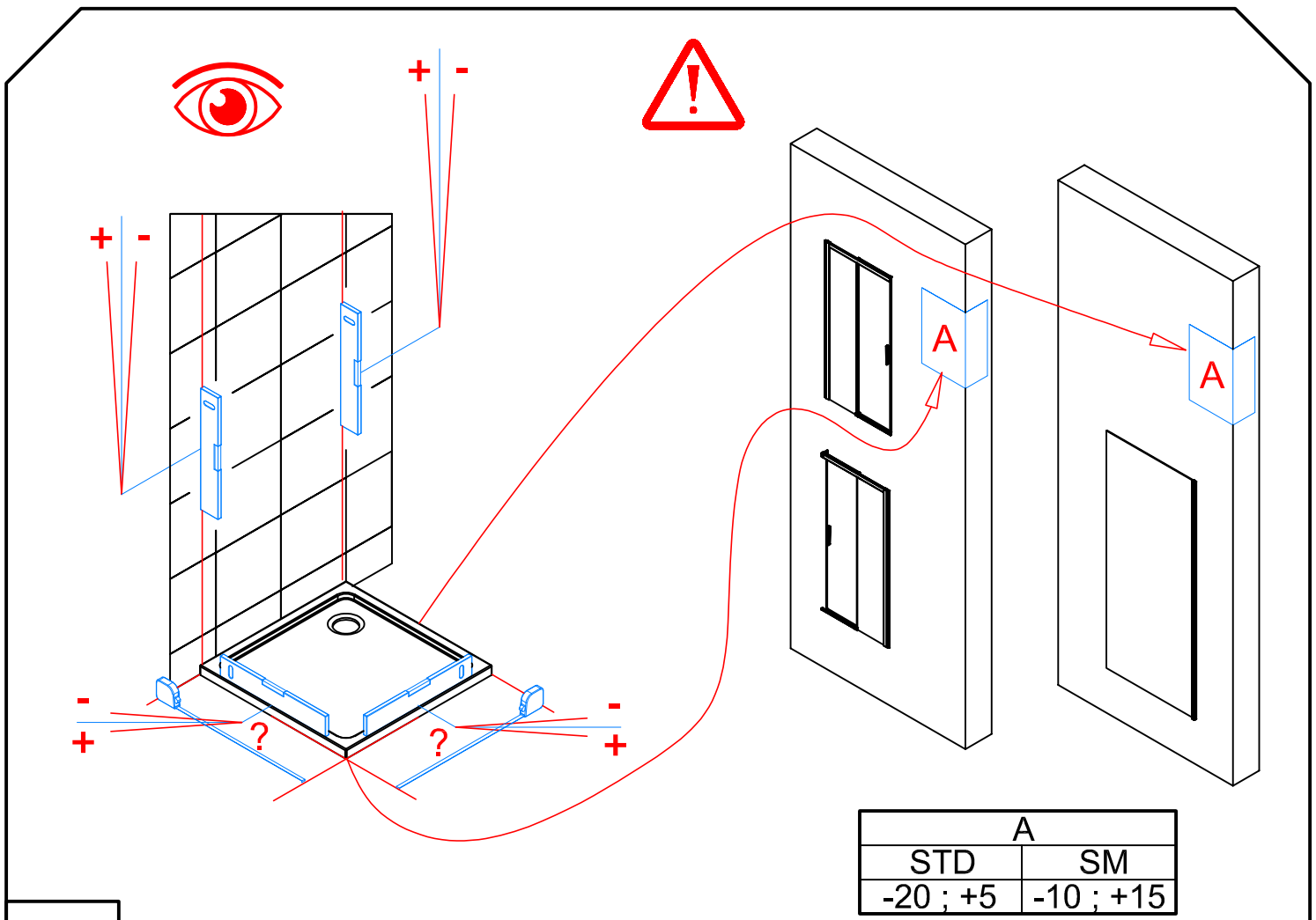
1x



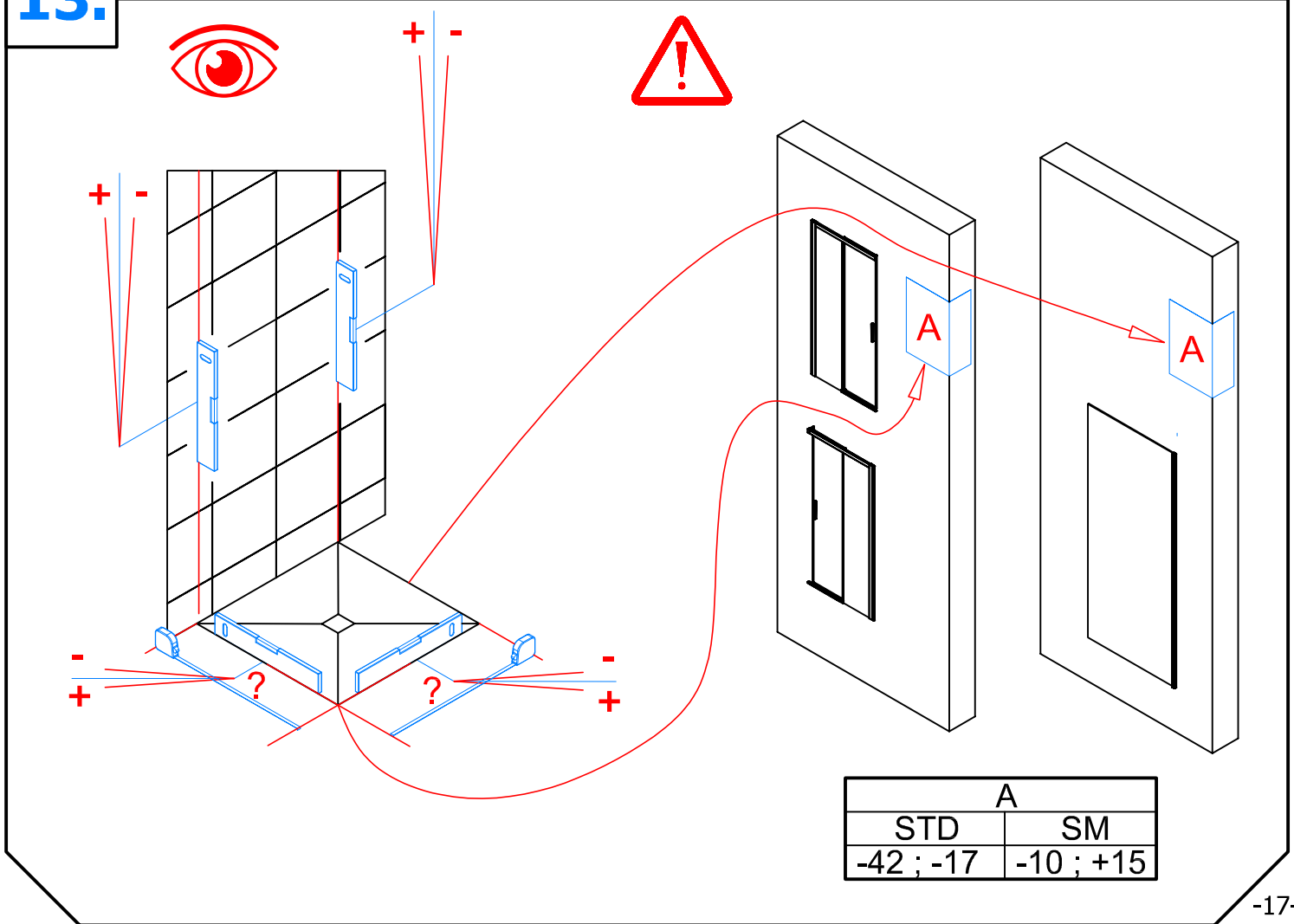


	2.5 mm - 17165 				
	1 x 11221	6 x 14295 4.2x32mm	2 x 81125.XX	4 x MT8004.XX	1 x 81377
	2 x 14196	6 x 16000 ø 6mm	1 x MT0442.XX	1 x MT0441.XX	1 x 81376
1 x 81169	2 x 81238	2 x 81121.XX	81448.XX	4 x 81393.XX	
	2 x 14190 		2 x 81164.XX 		
81127.XX	2 x 14194 	4 x 14006	2 x 81163.XX 		
				4 x 81036.XX	

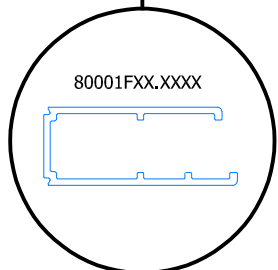
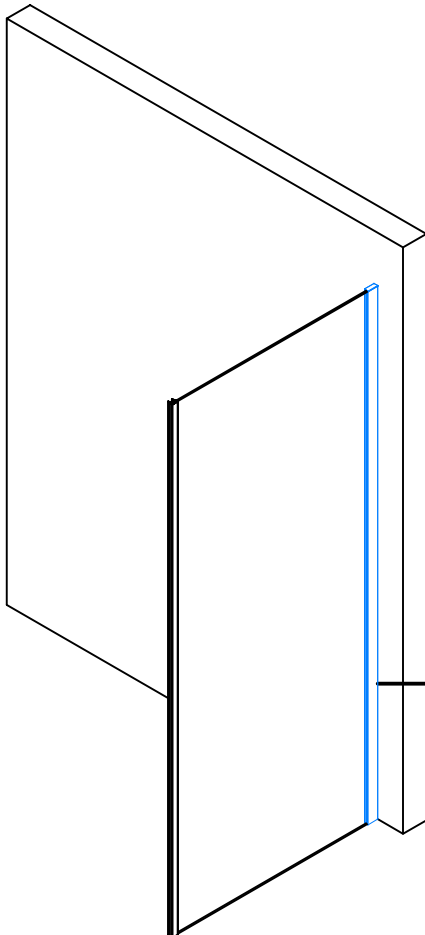
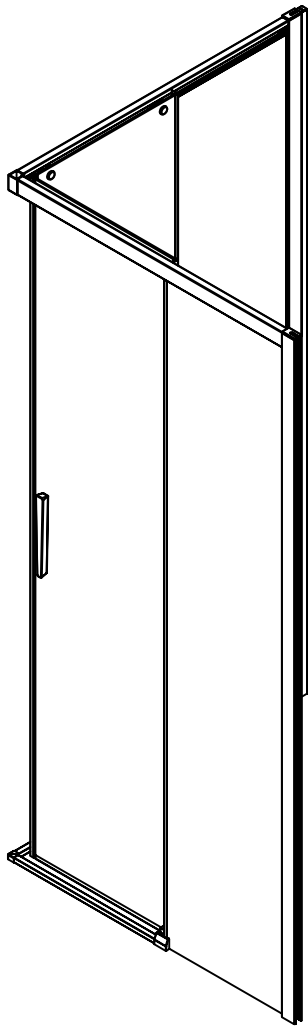




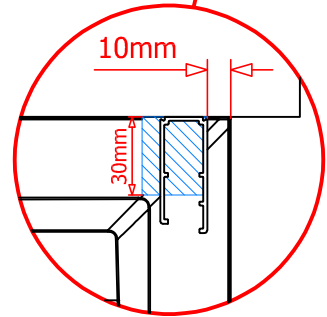
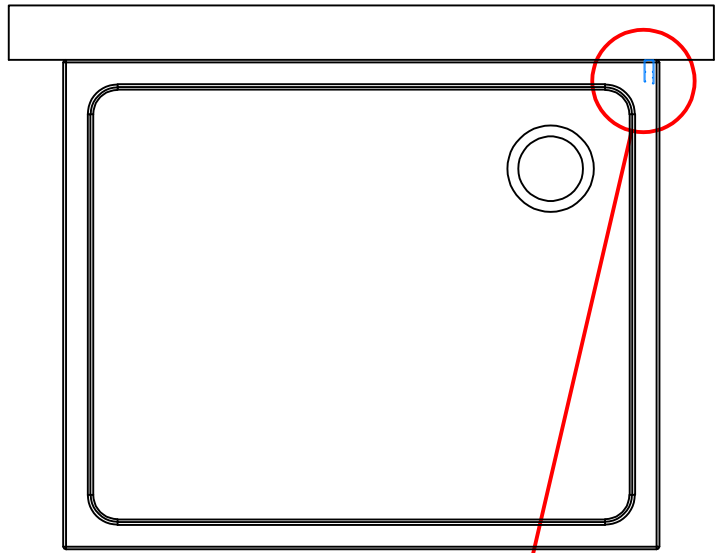
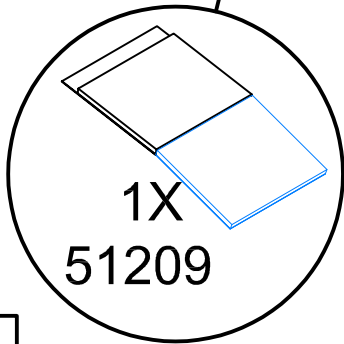
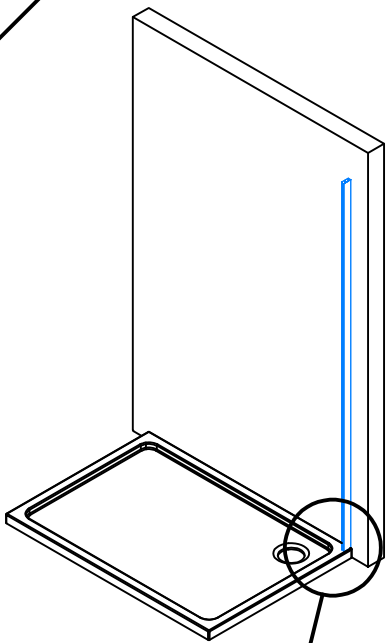
13.



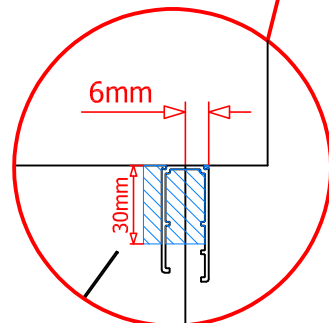
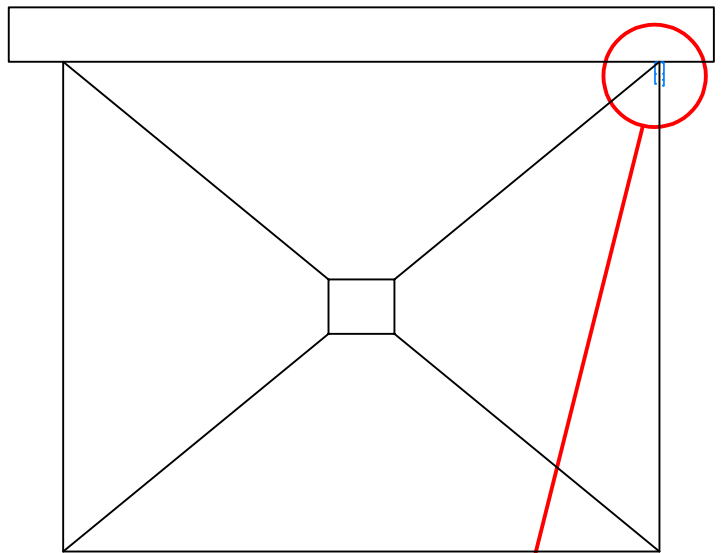
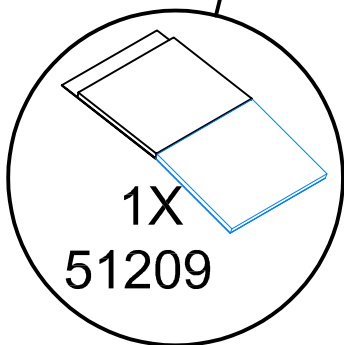
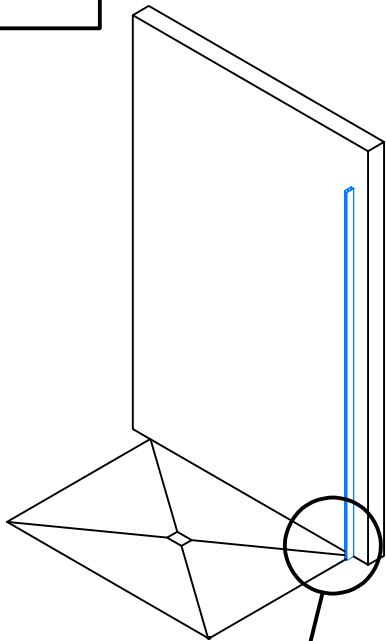
14.



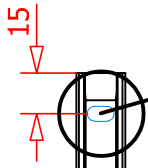
80001FXX.XXXX



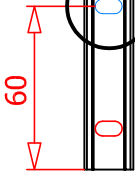
15.



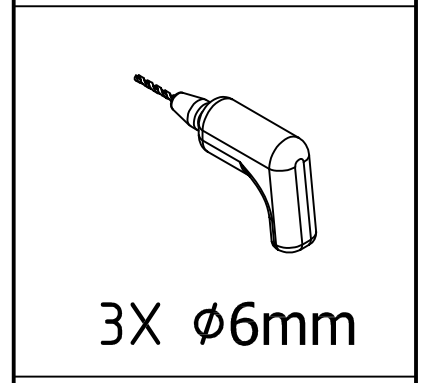
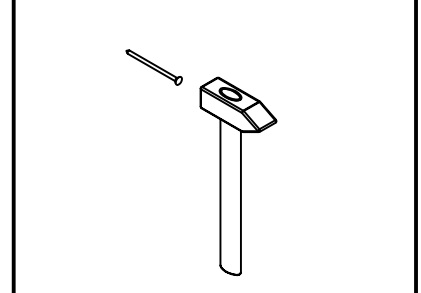
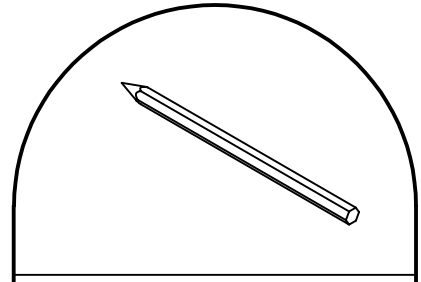
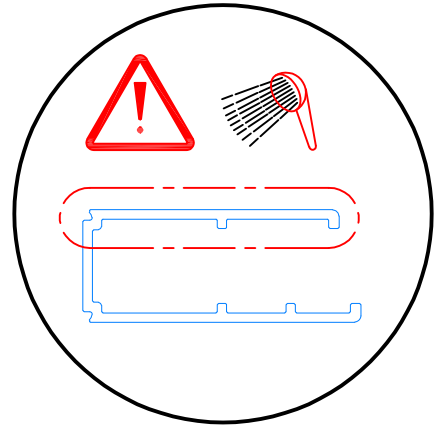
16.



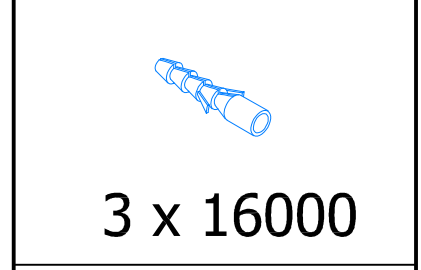
0



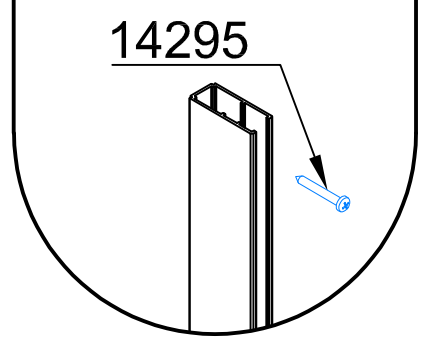
0



3X ϕ 6mm

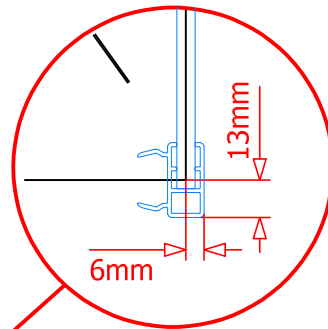
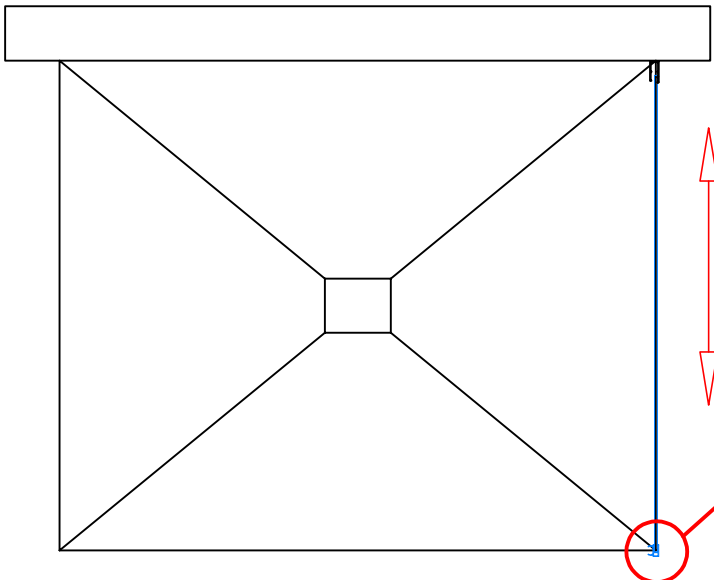
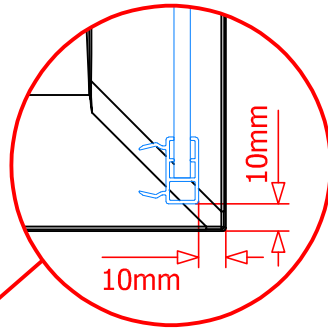
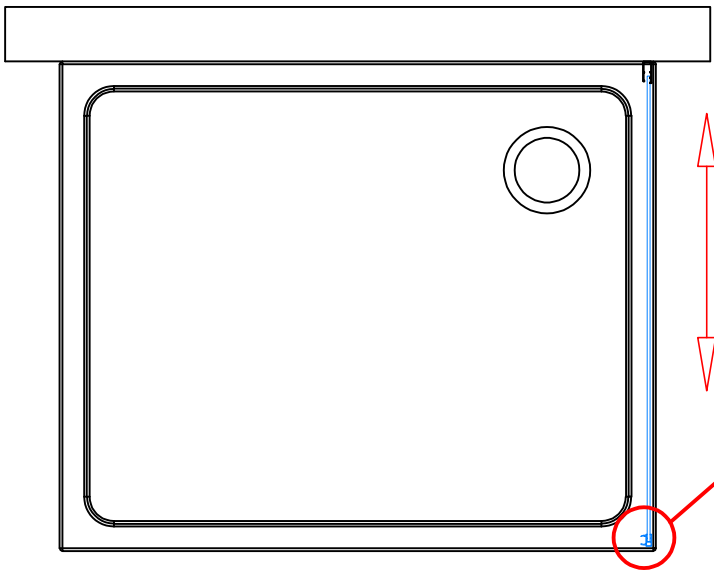
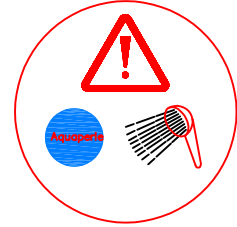
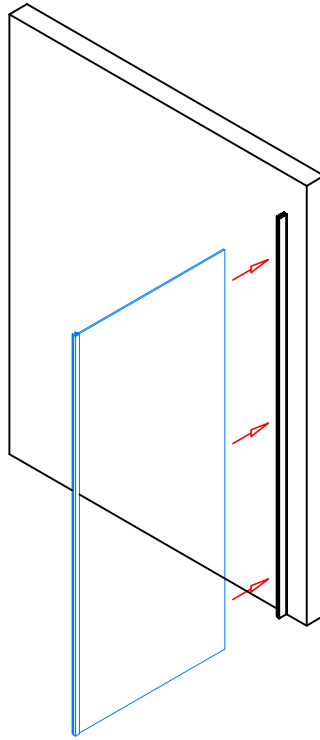


3 x 16000

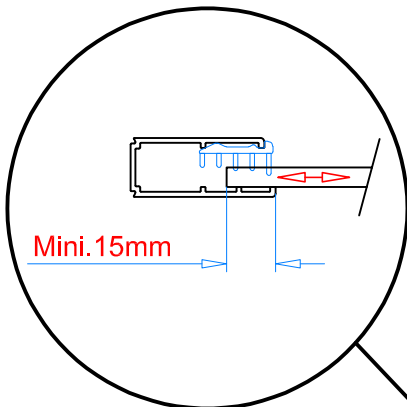
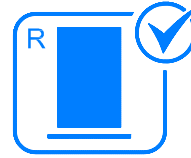
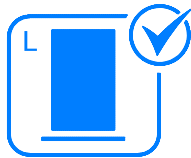


14295

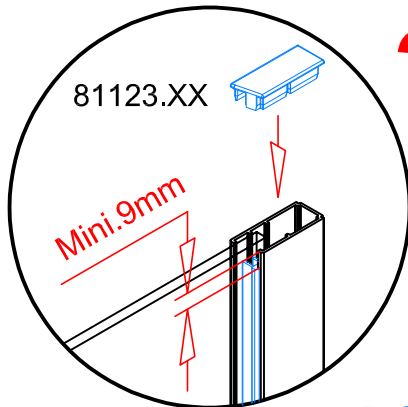
17.



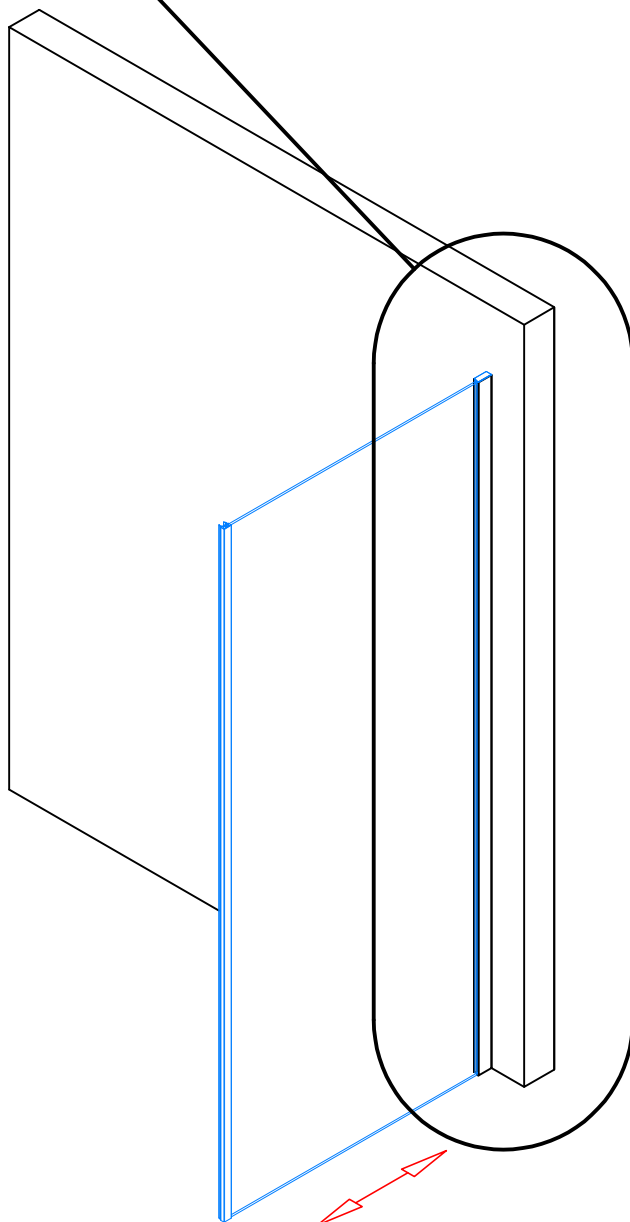
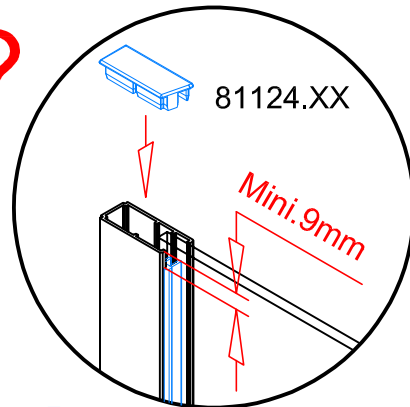
18.1 → 18.4



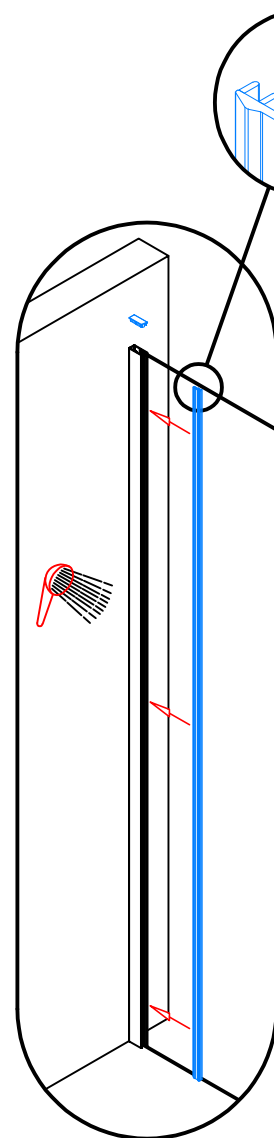
18.3



18.4

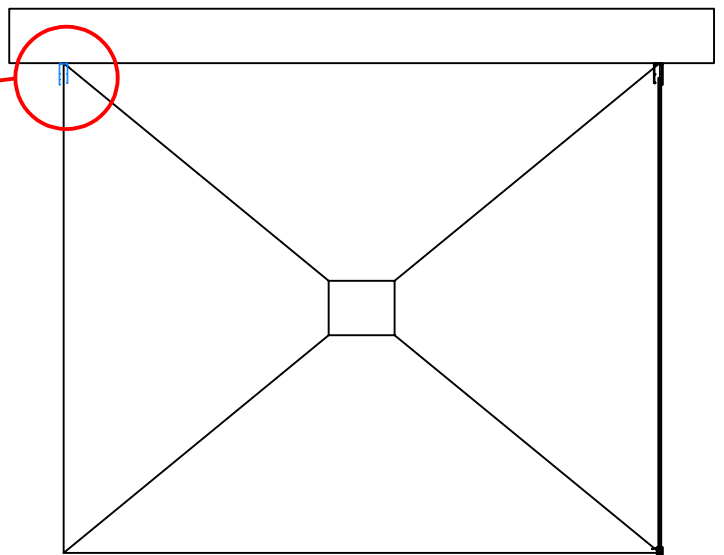
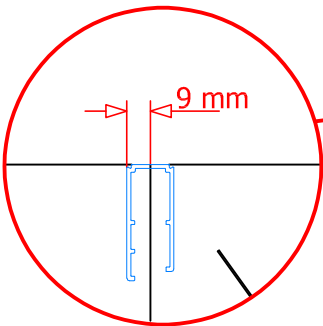
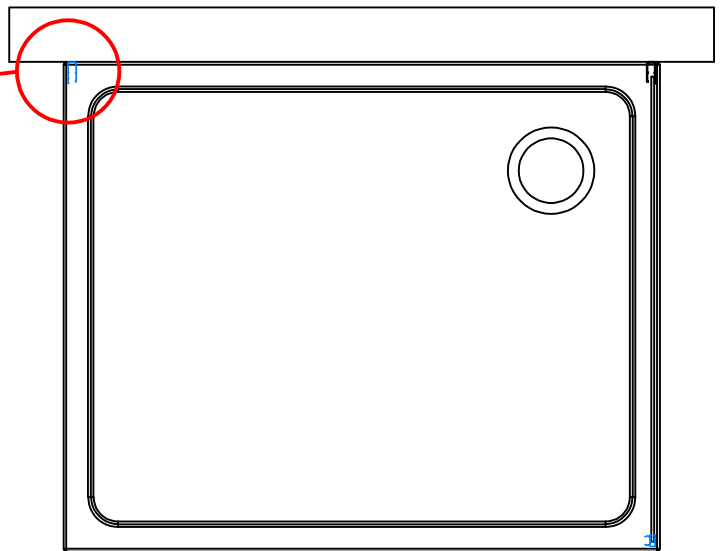
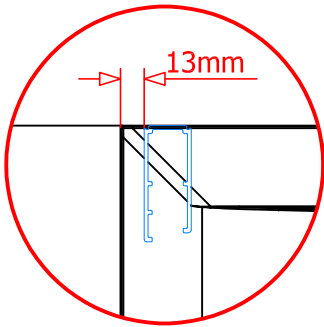
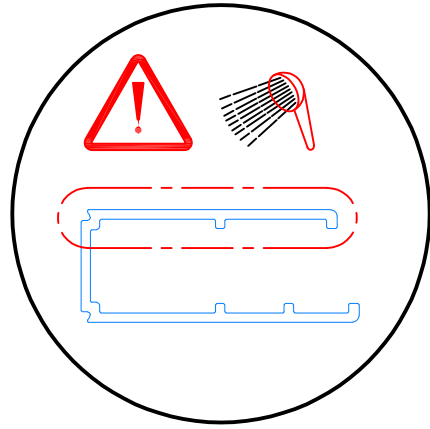
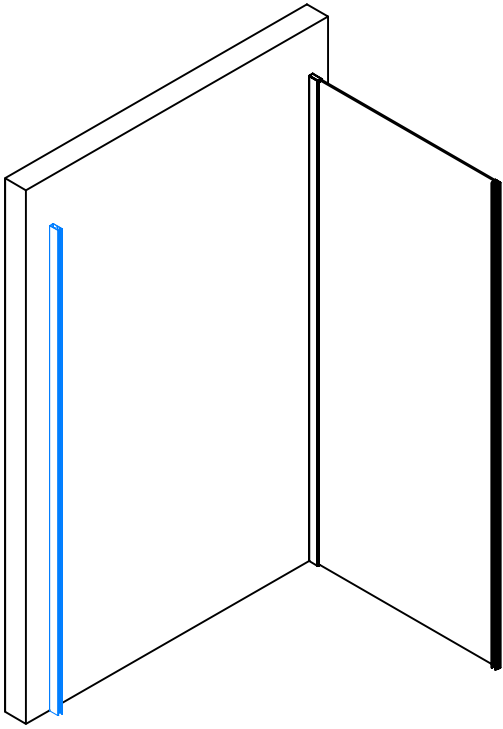


18.1

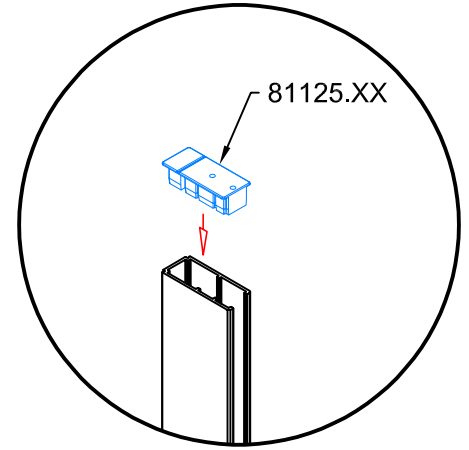
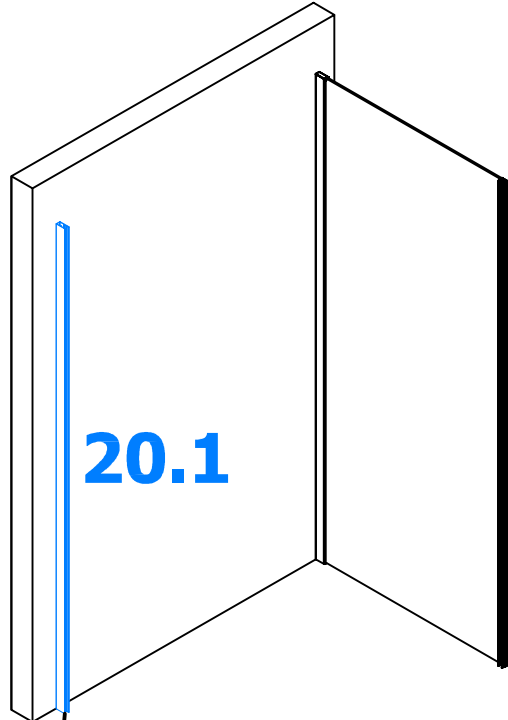


18.2

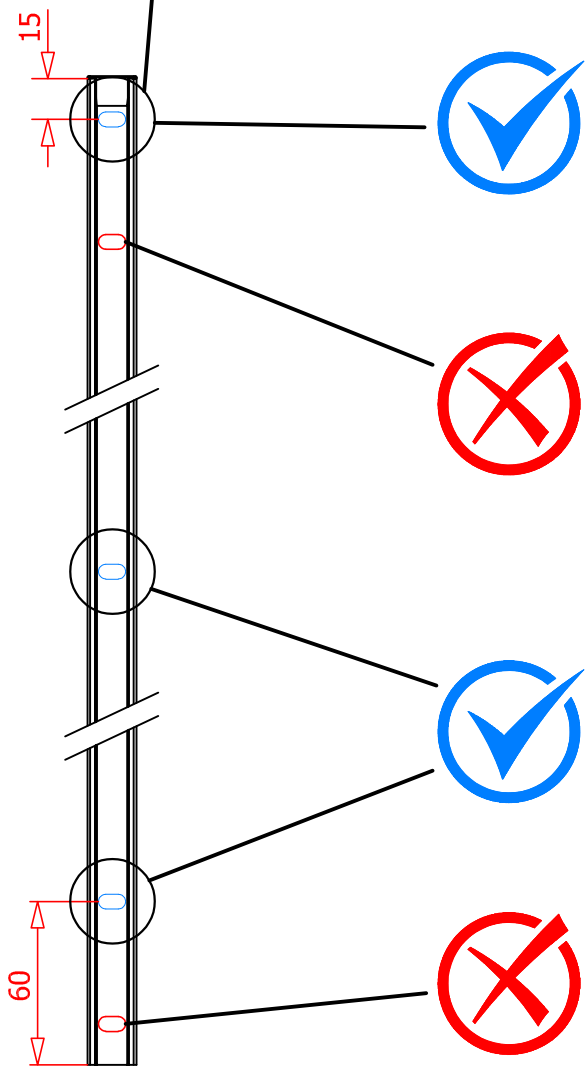
19.



20.1 → 20.3



20.3



20.2

3X ϕ 6mm

3 x 16000

14295

21.1 → 21.4

21.1

80213E2XXL.XXXX

14006

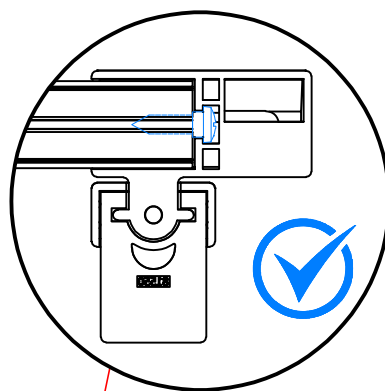
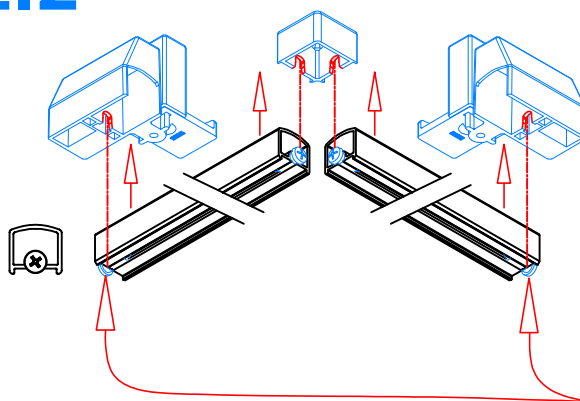
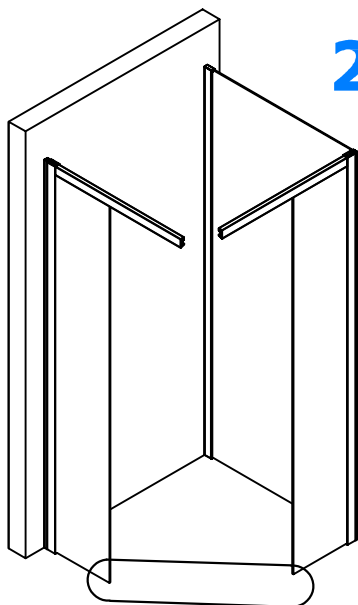


80213E2XXR.XXXX

14006

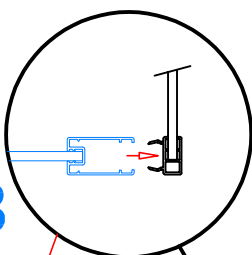
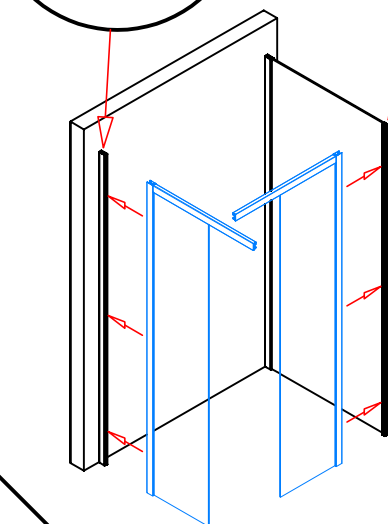


21.2

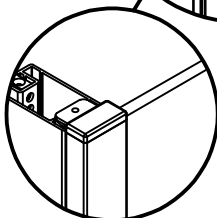
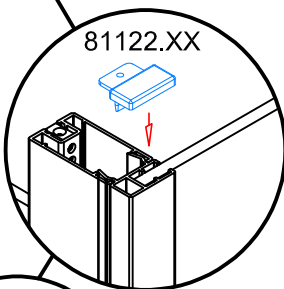


Maxi 30 mm

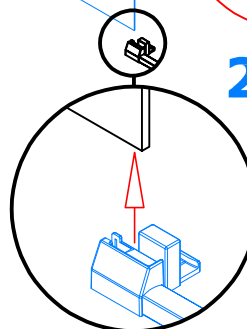
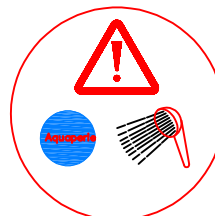
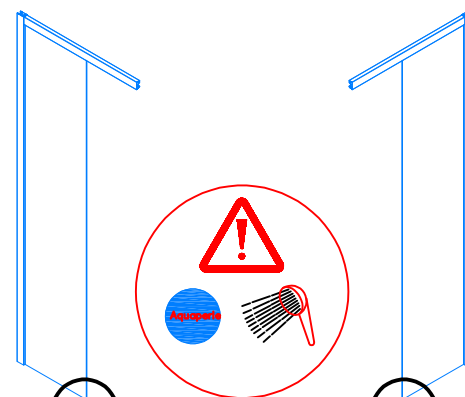
21.3



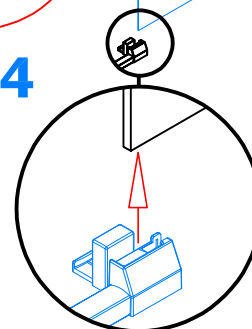
81122.XX



21.4

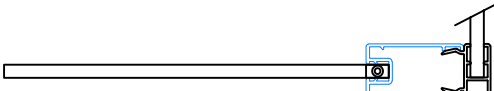
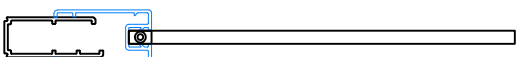
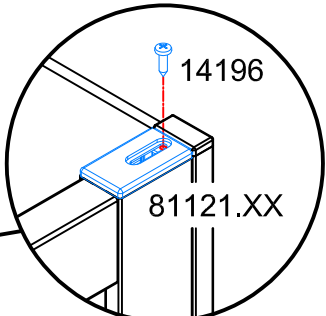
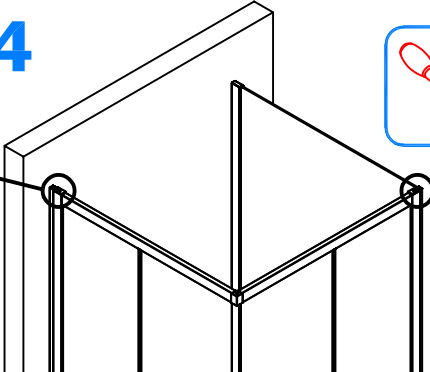
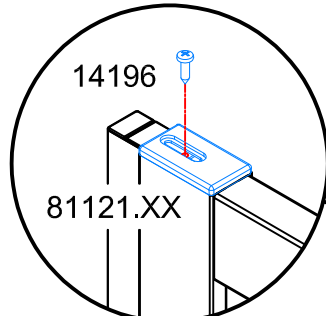
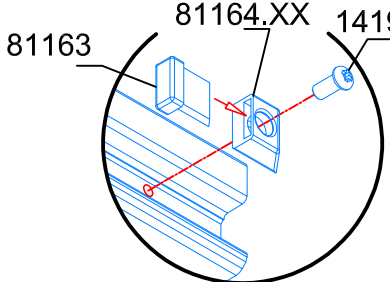
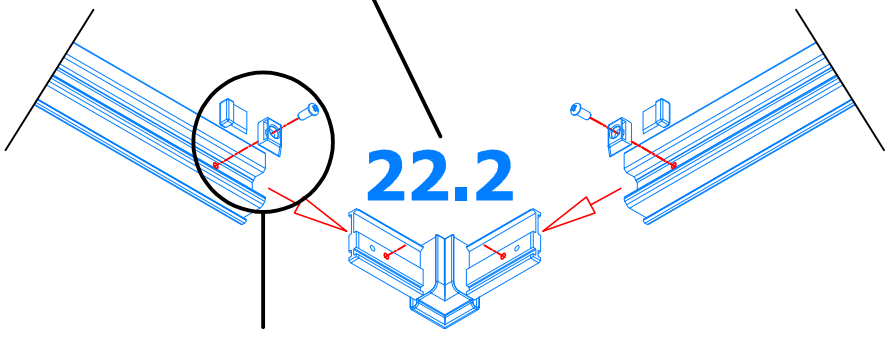
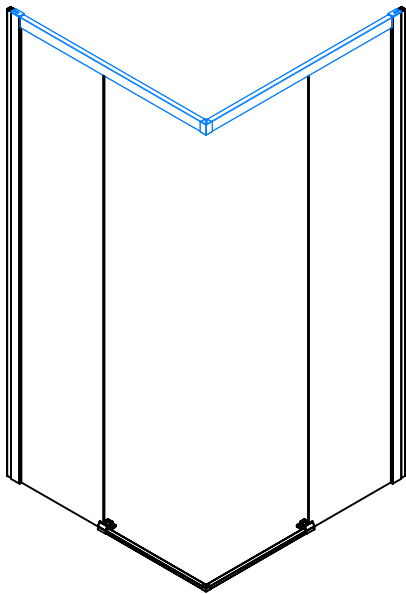
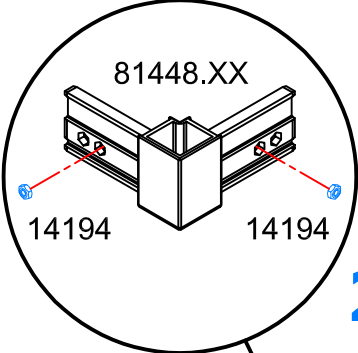
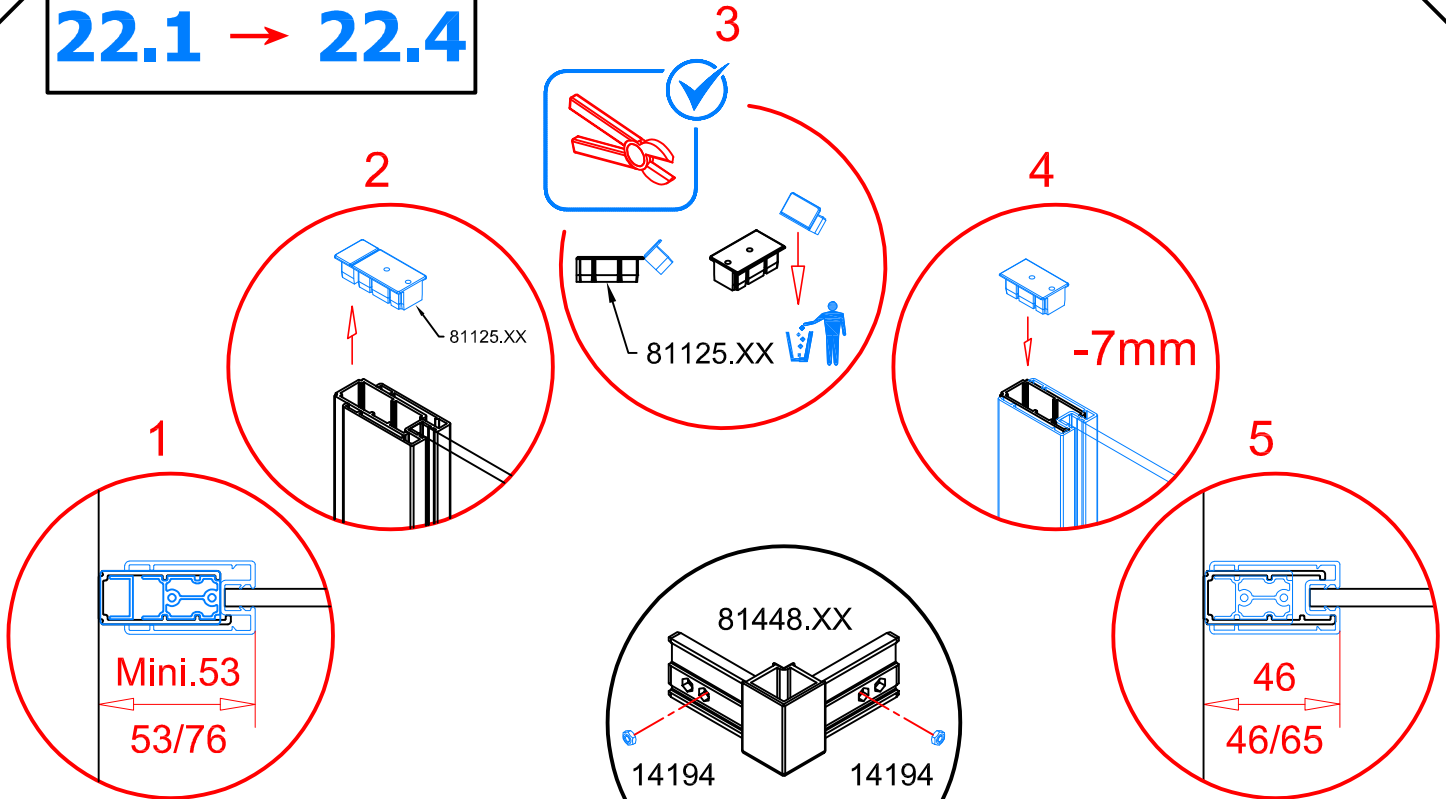


MT0441.XX

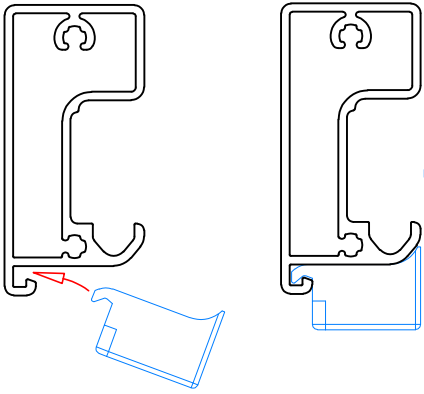


MT0442.XX

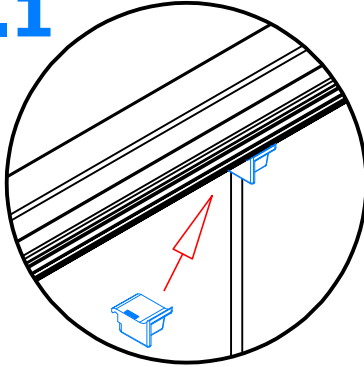
22.1 → 22.4



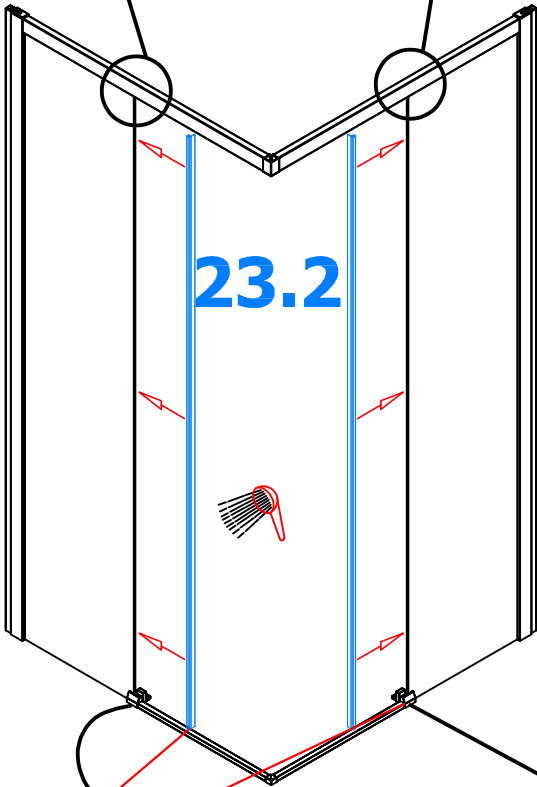
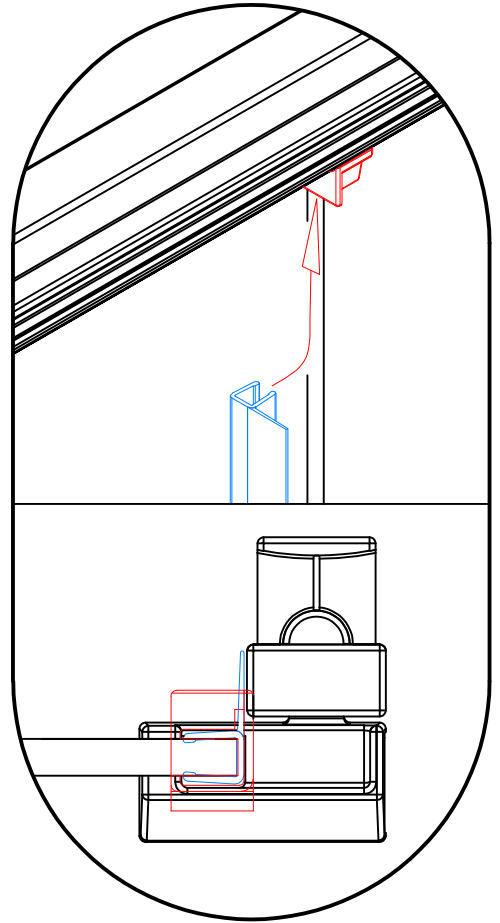
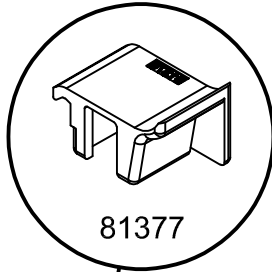
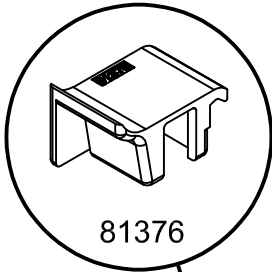
23.1 → 23.4



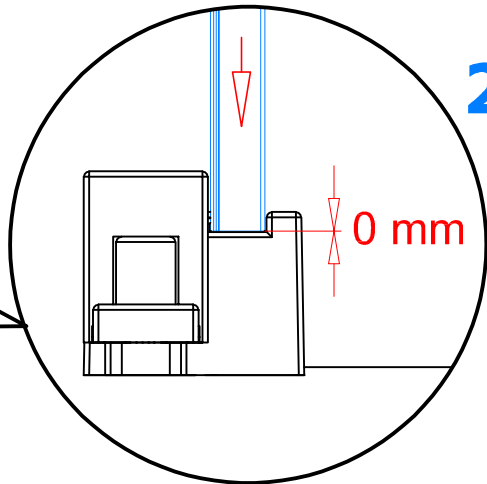
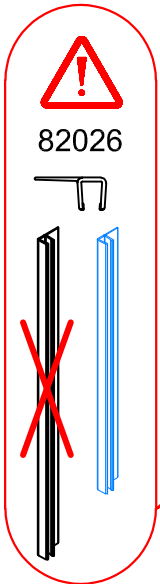
23.1



23.4



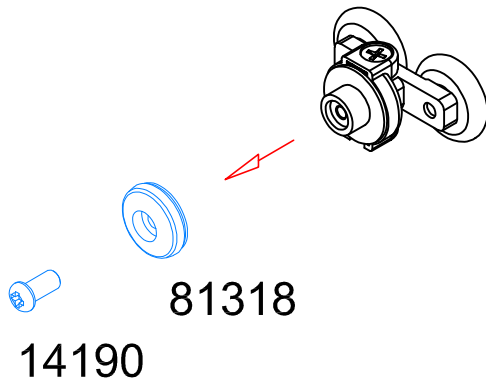
23.2



23.3

2X

MT8004.XX

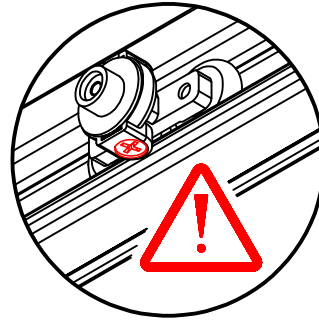


14190

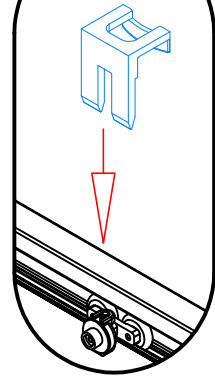
81318

24.1

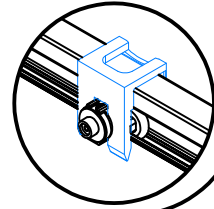
24.2



81238

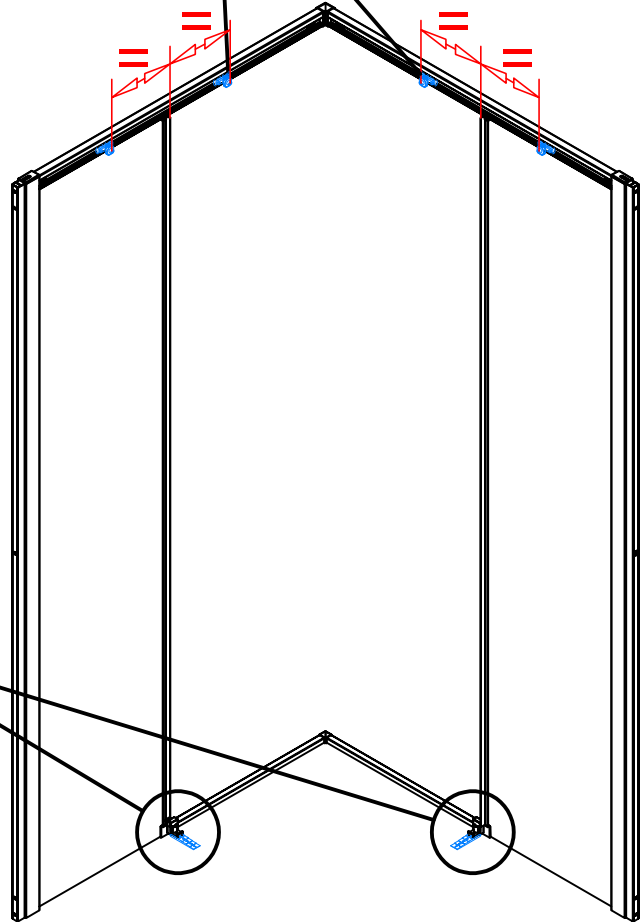
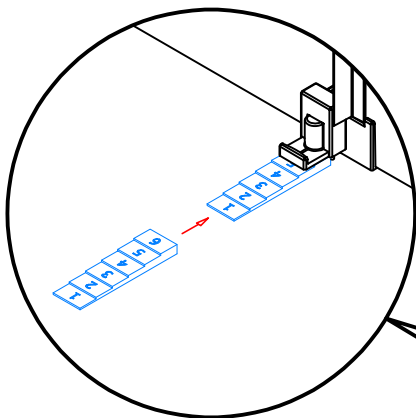


24.3

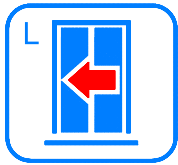


24.1 → 24.4

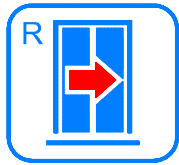
24.4



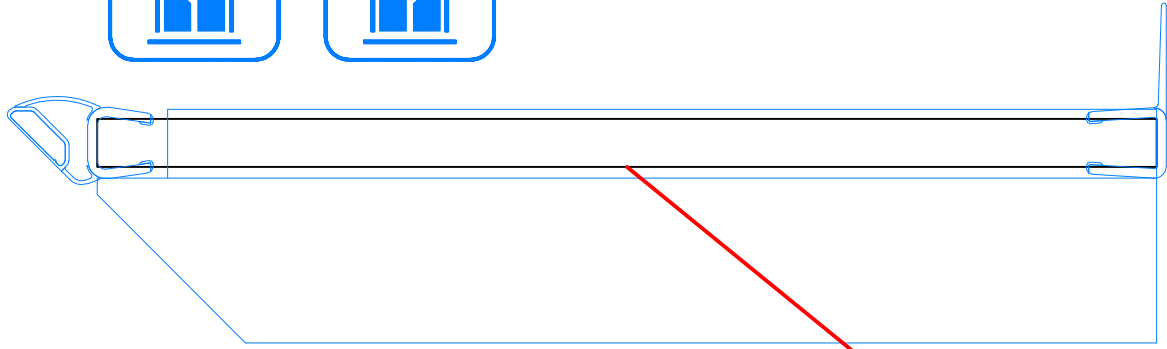
1X



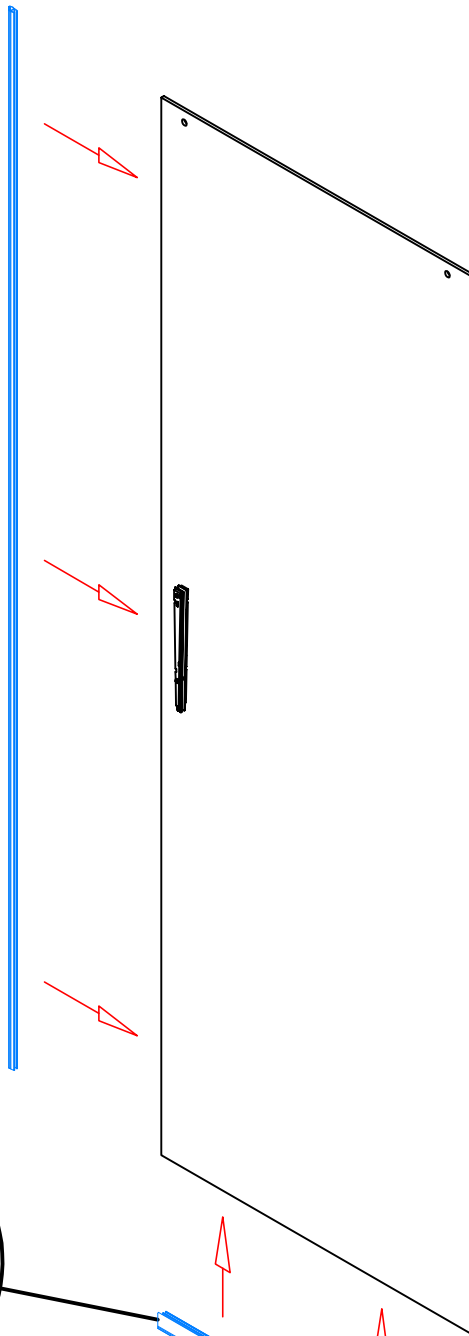
1X



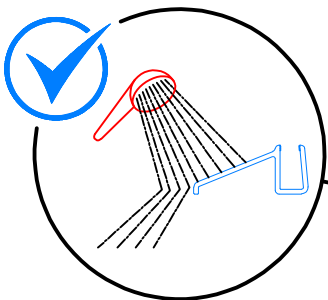
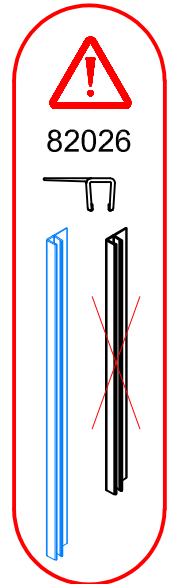
25.1 → 25.3



25.2

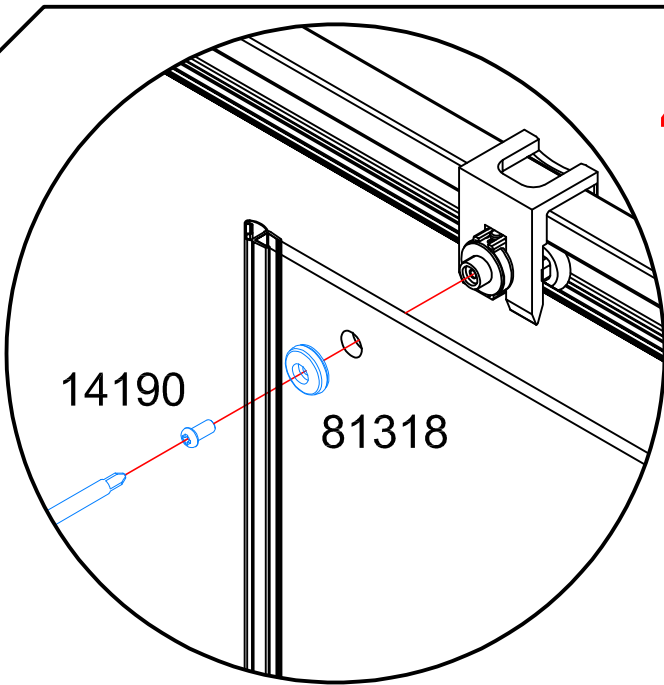


25.3

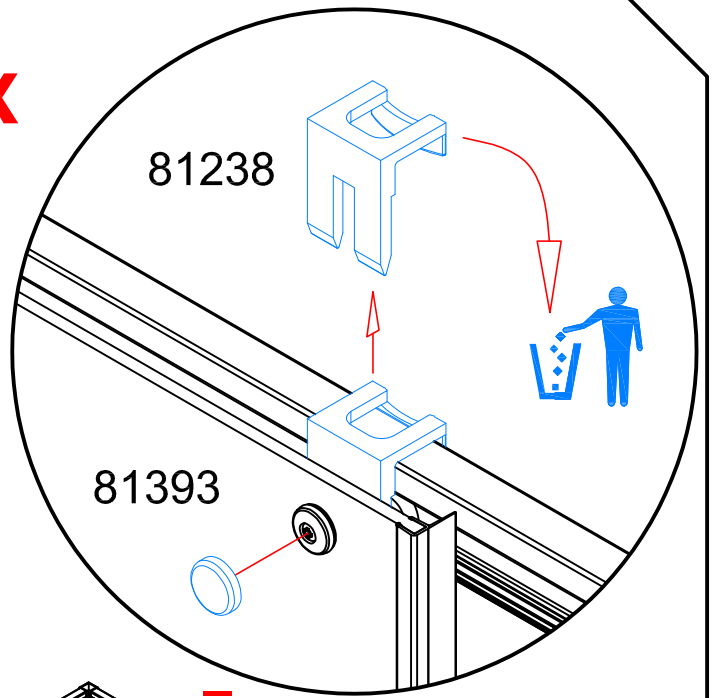


25.1

4X

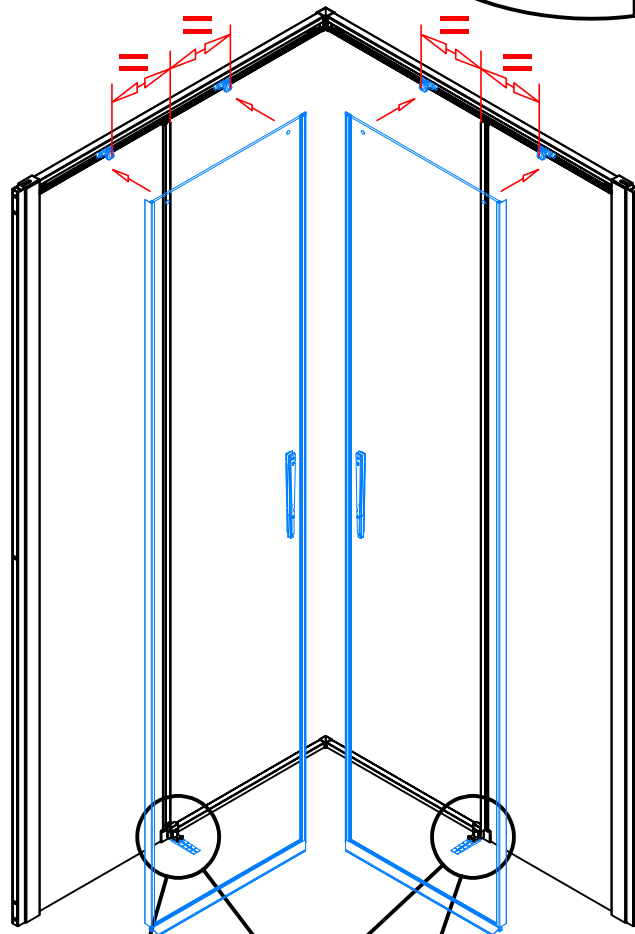


26.2

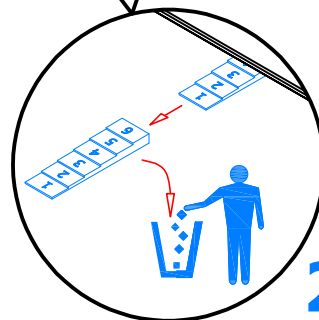
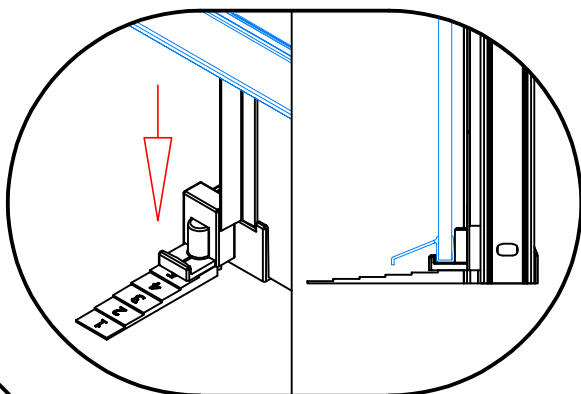


26.3

26.1 → 26.4

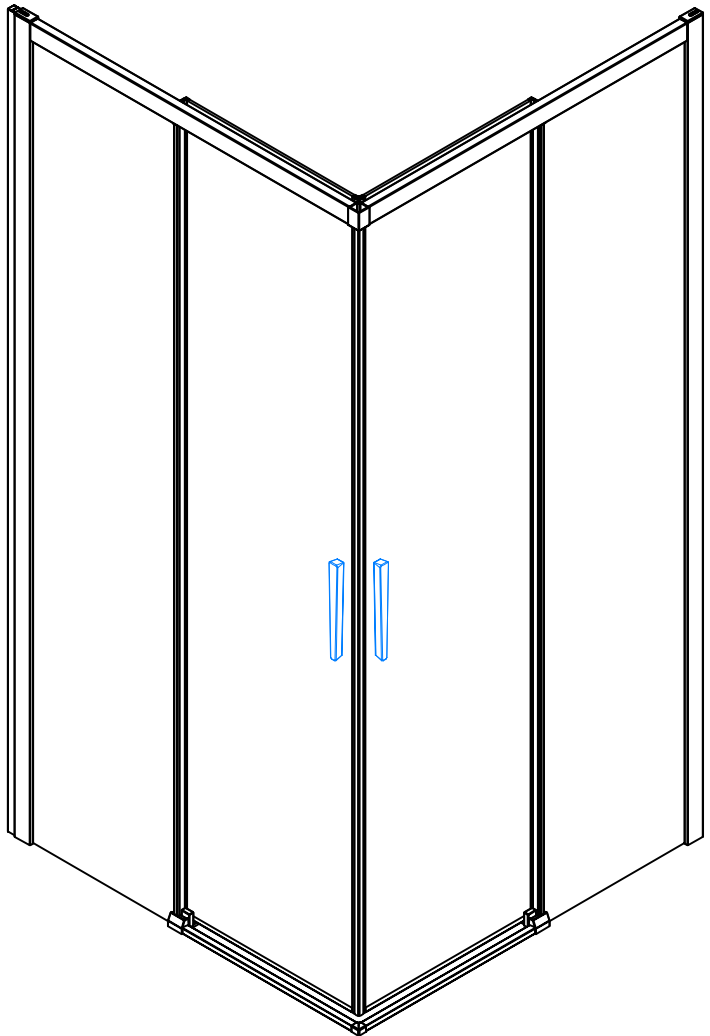
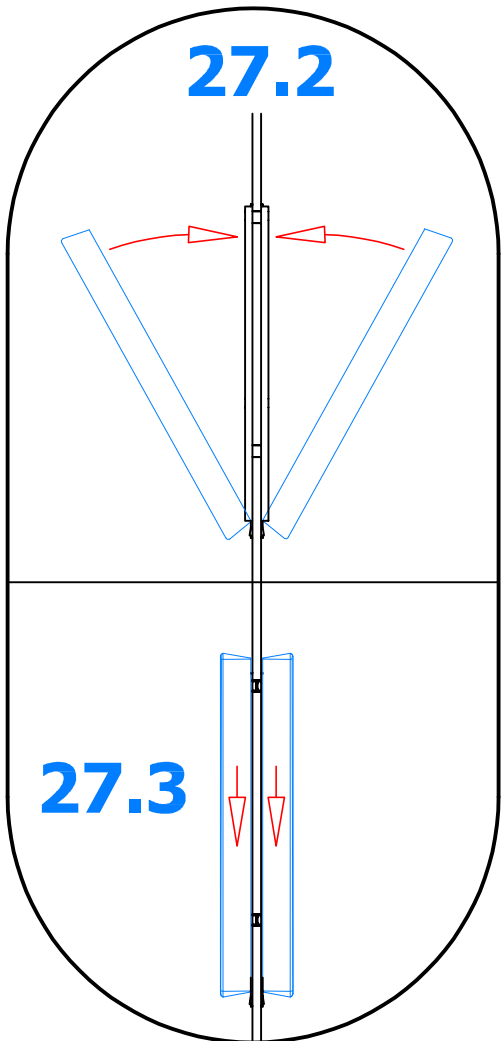
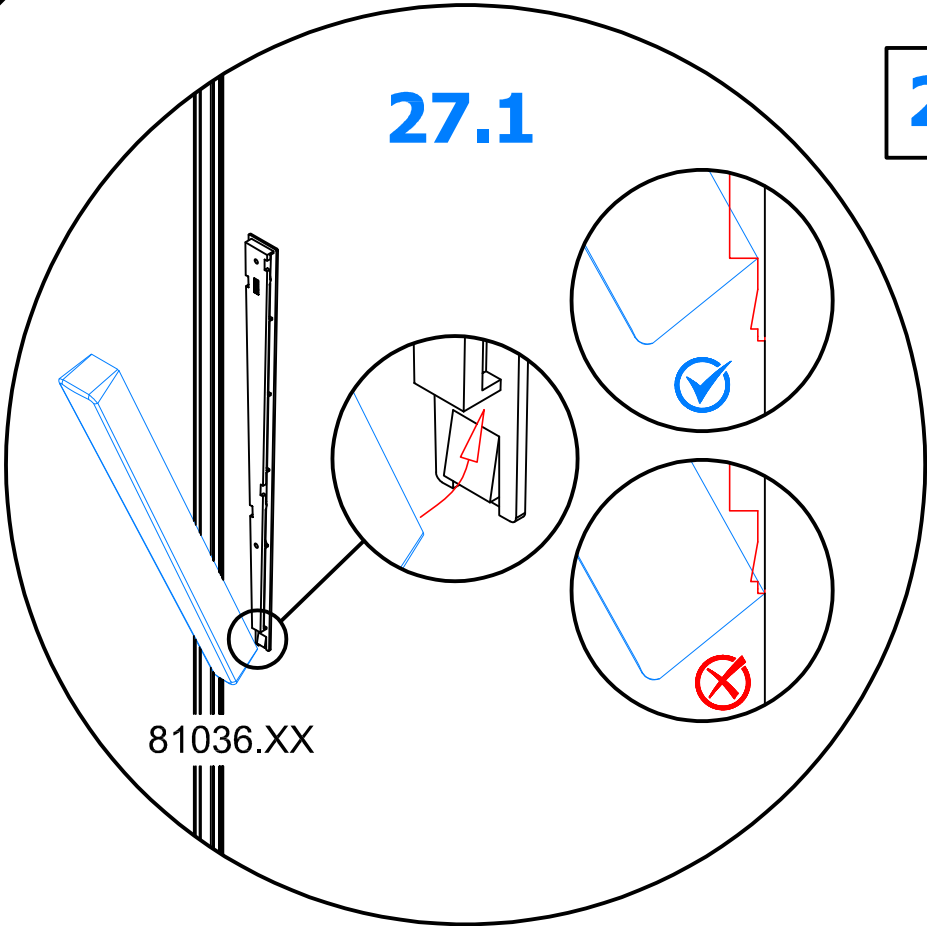


26.1

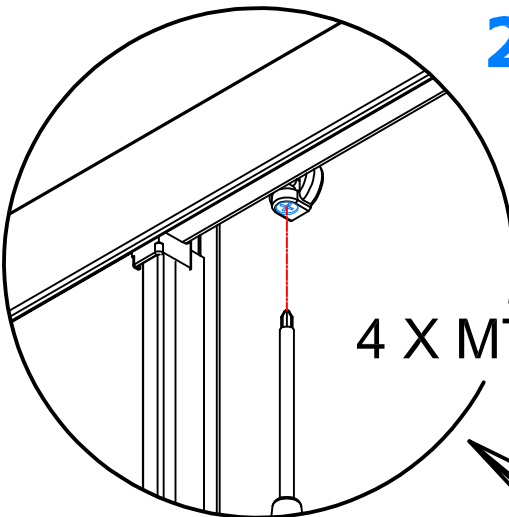


26.4

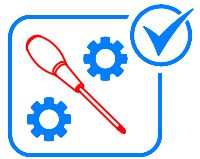
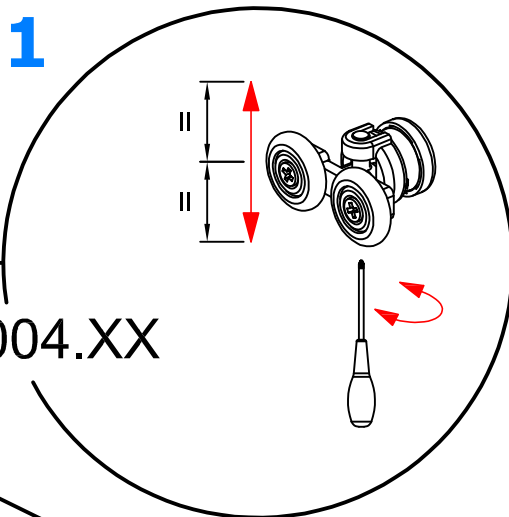
27.1 → 27.3



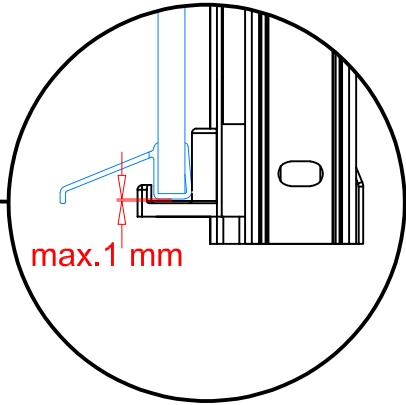
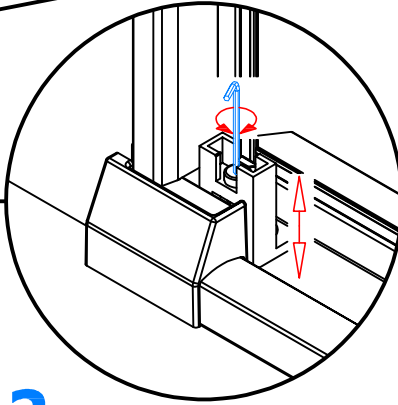
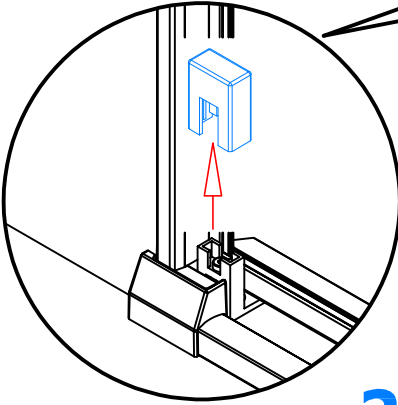
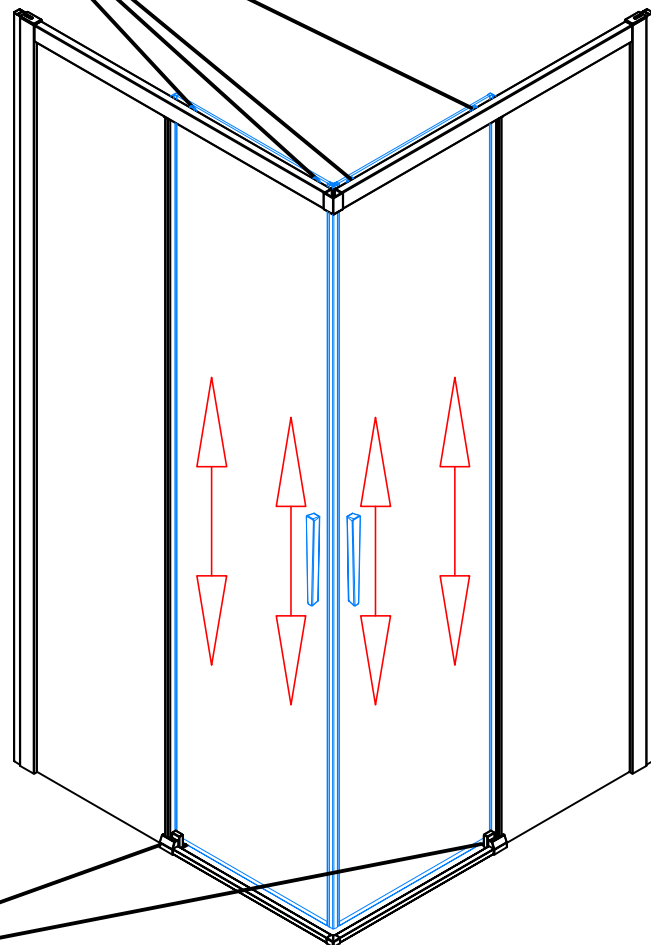
28.1



4 X MT8004.XX

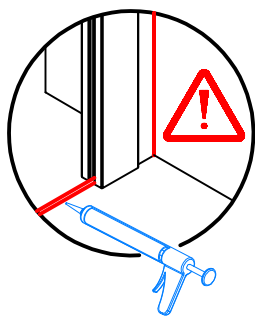
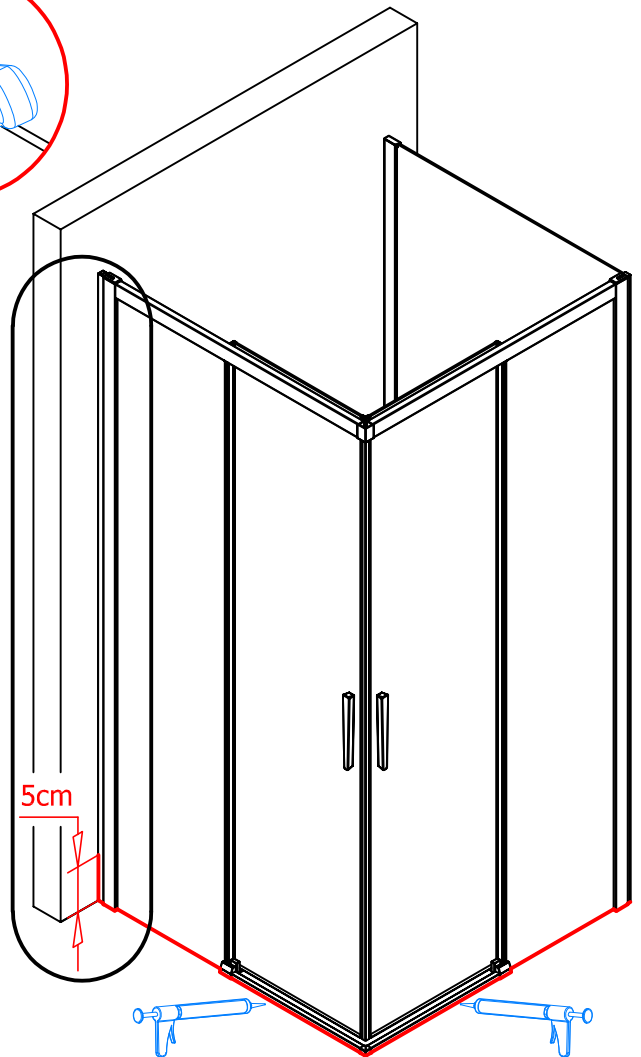
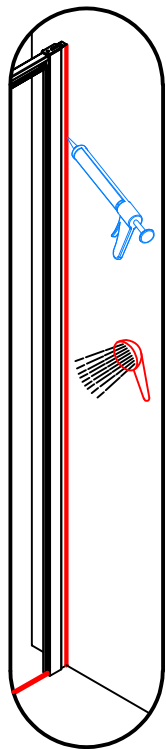
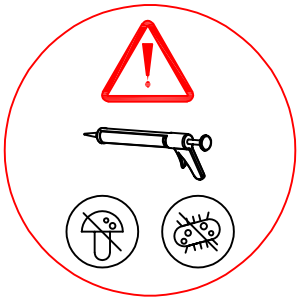
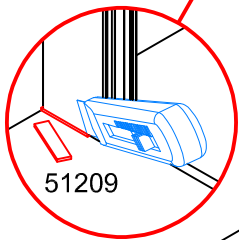
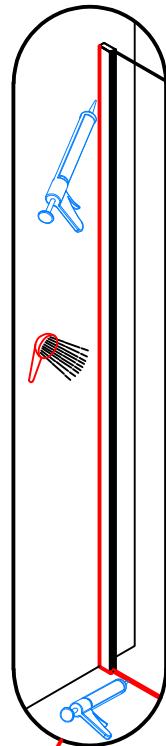
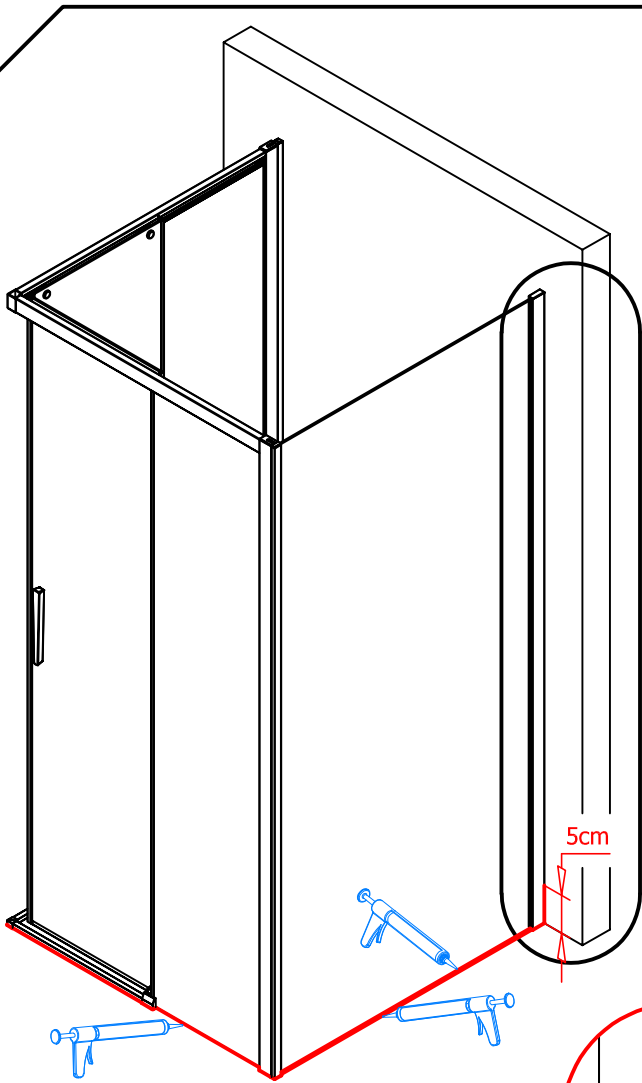
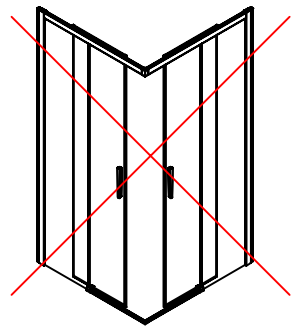
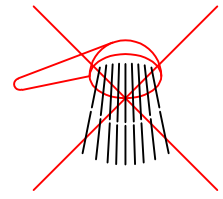


28.1 → 28.2



28.2

29



D22SE2B + D22F1

