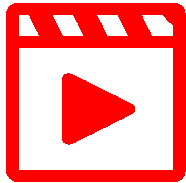


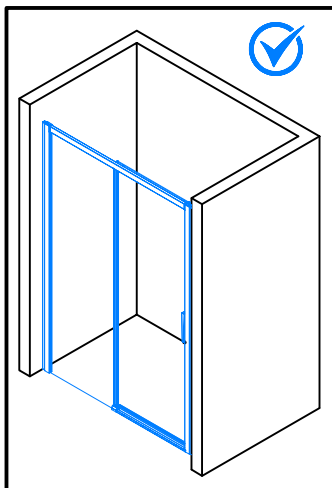
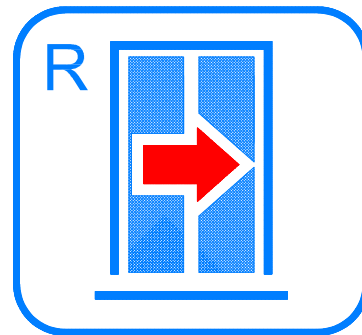
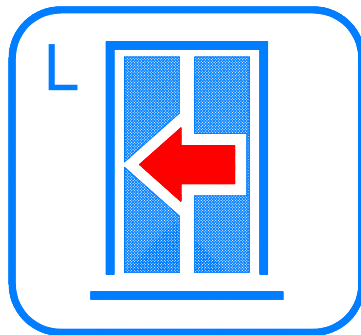
19743



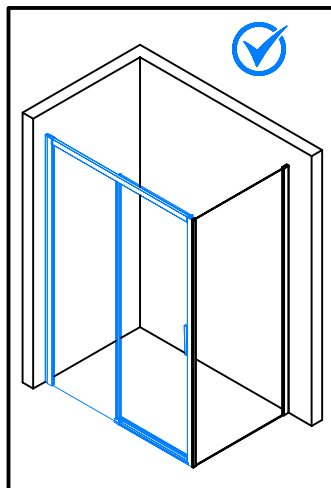
D22S2B



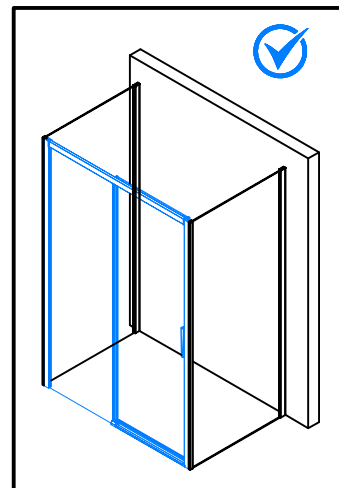
D22S2B + D22F1

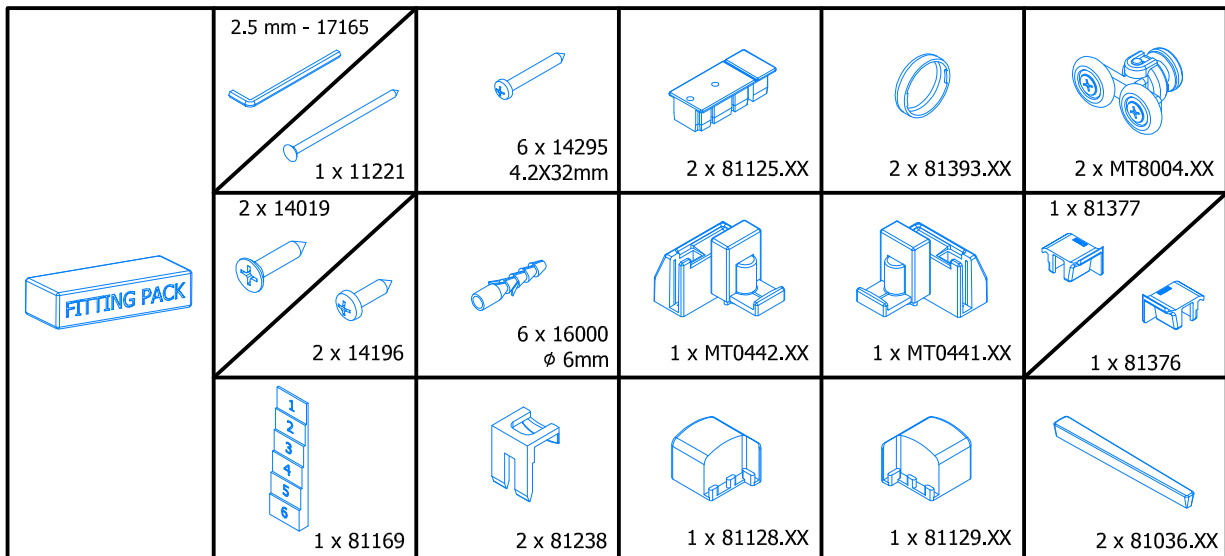
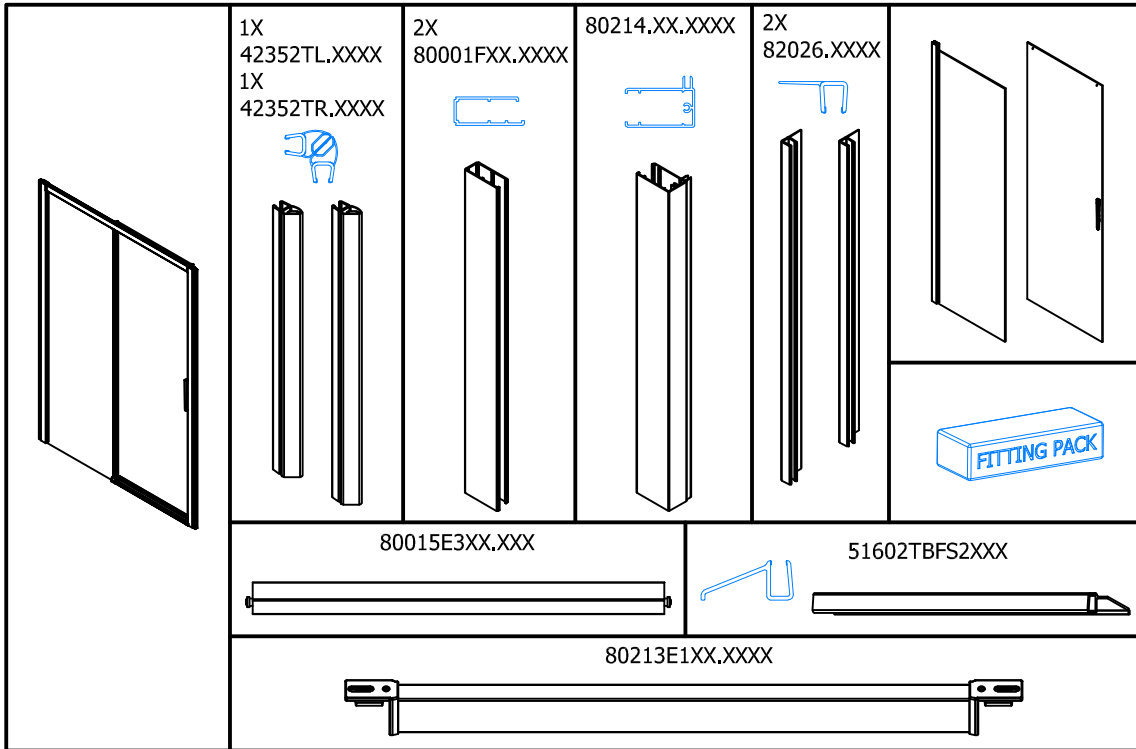
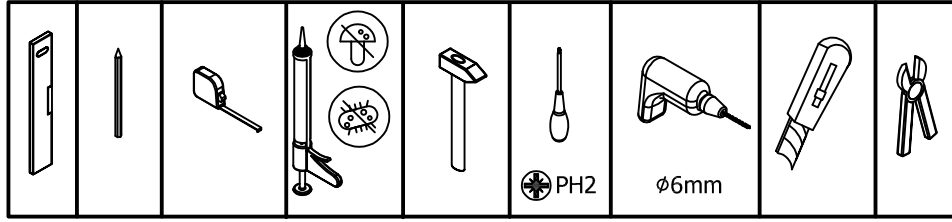
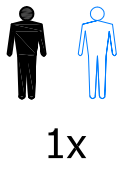


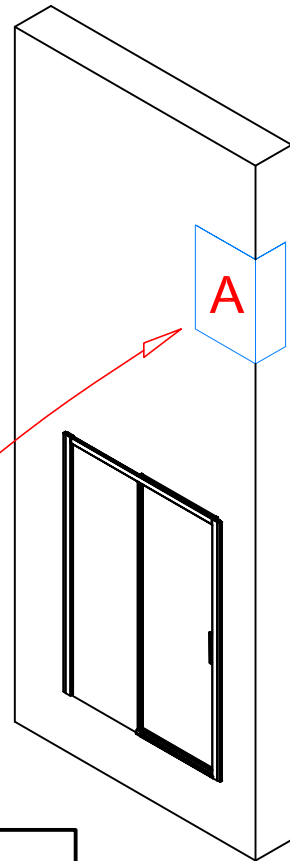
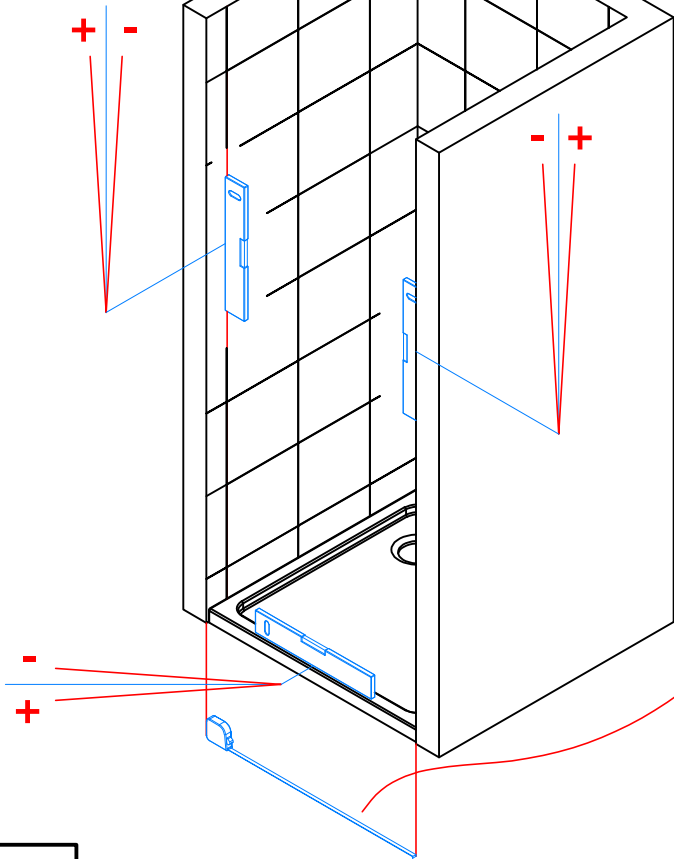
P1. → P15.



P16. → P37.

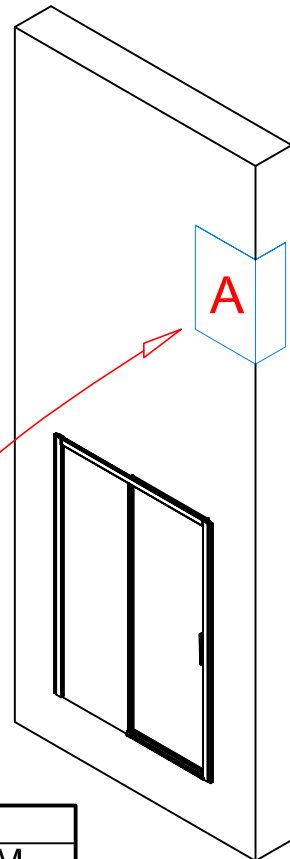
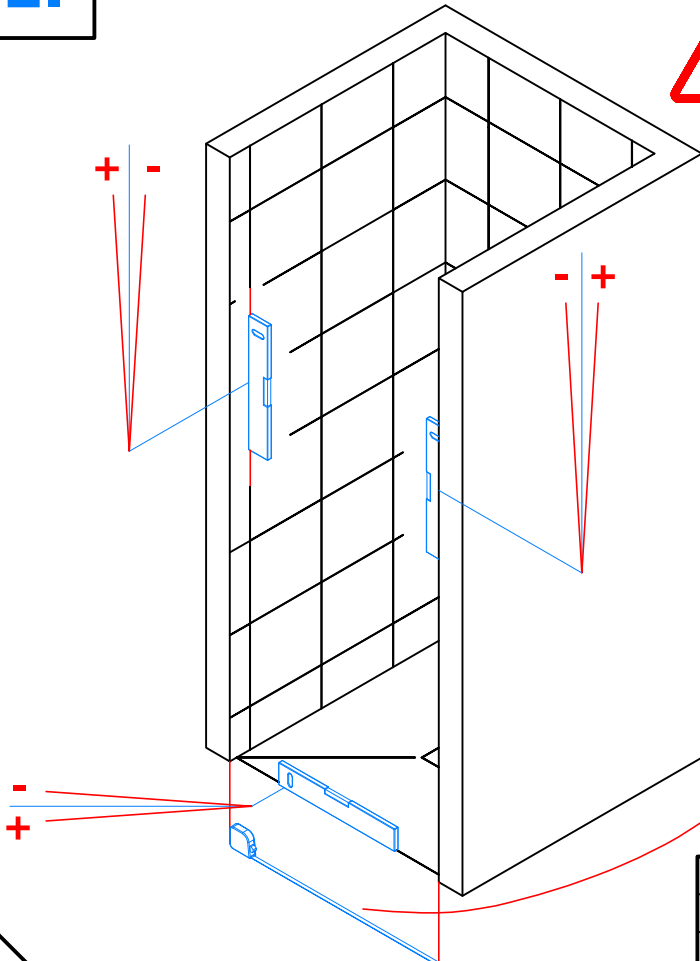




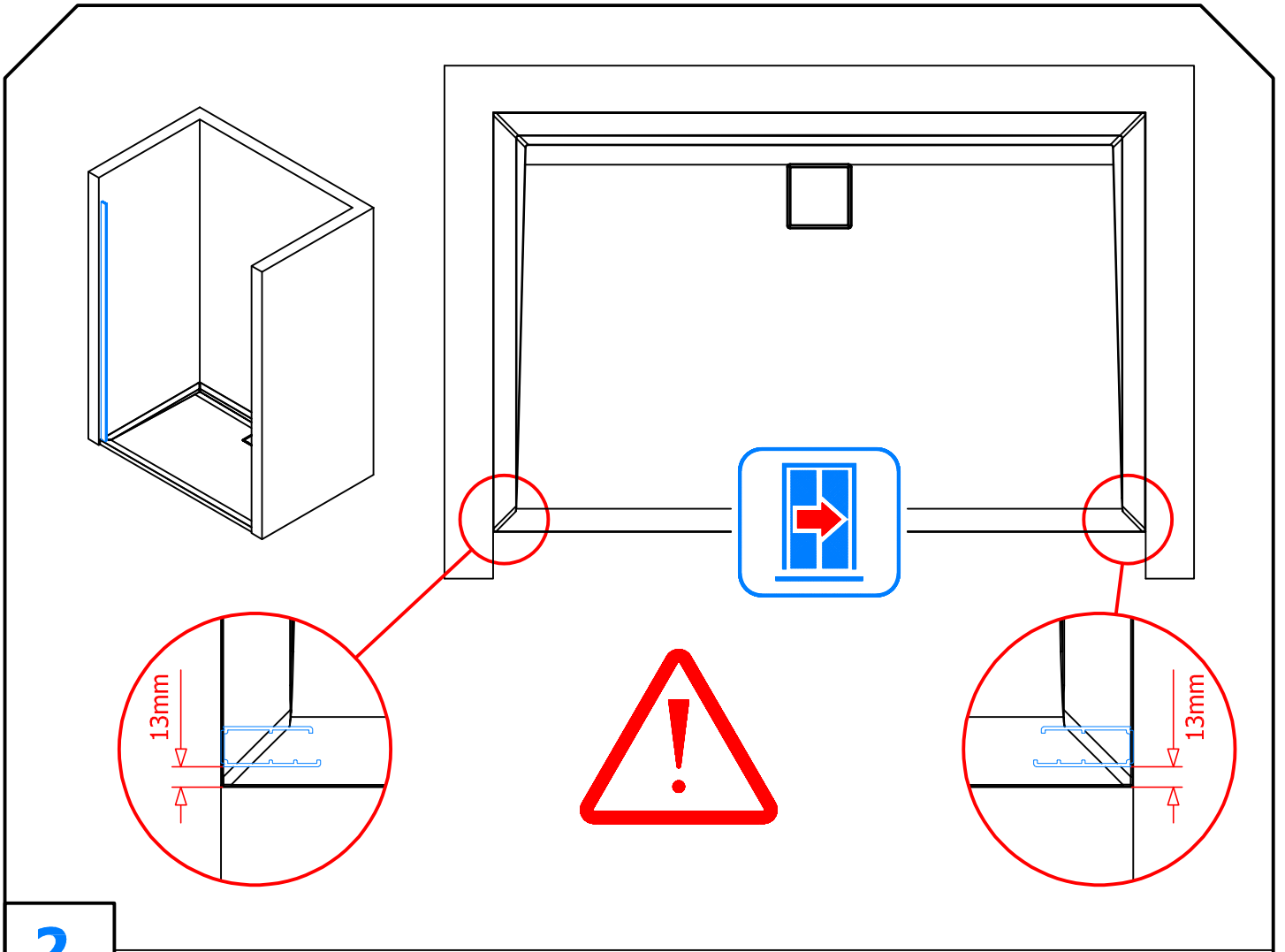


A	
STD	SM
-40 ; +20	-20 ; +40

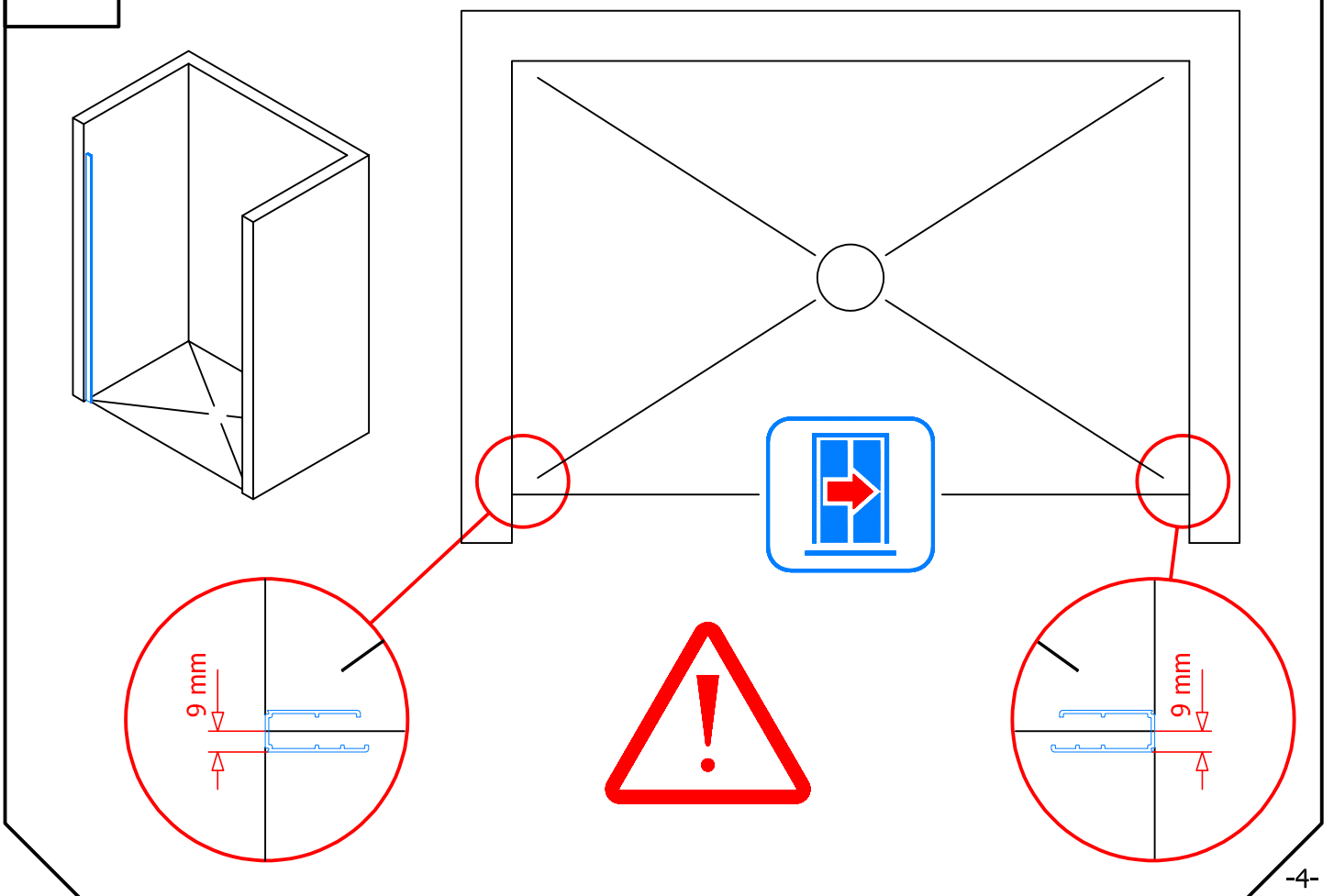
1.



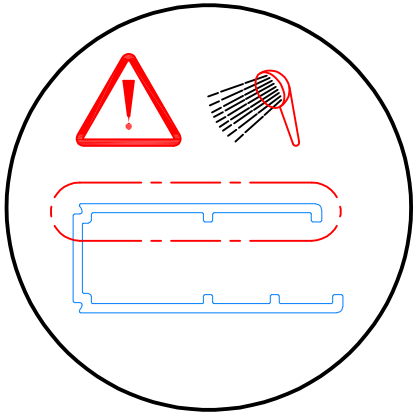
A	
STD	SM
-40 ; +20	-20 ; +40



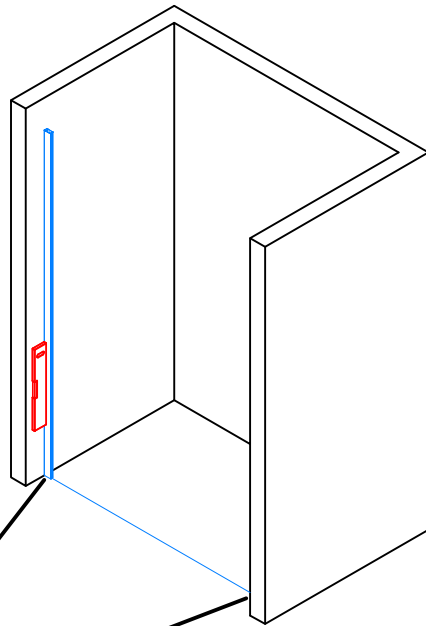
2.



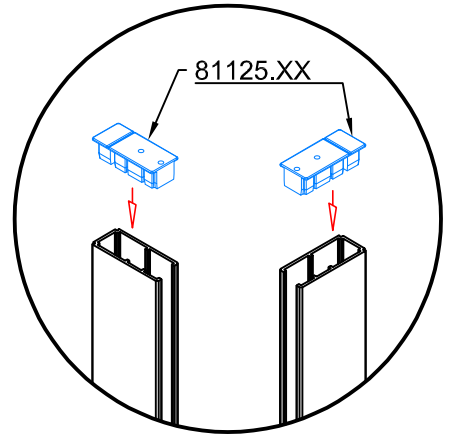
3.1 → 3.4



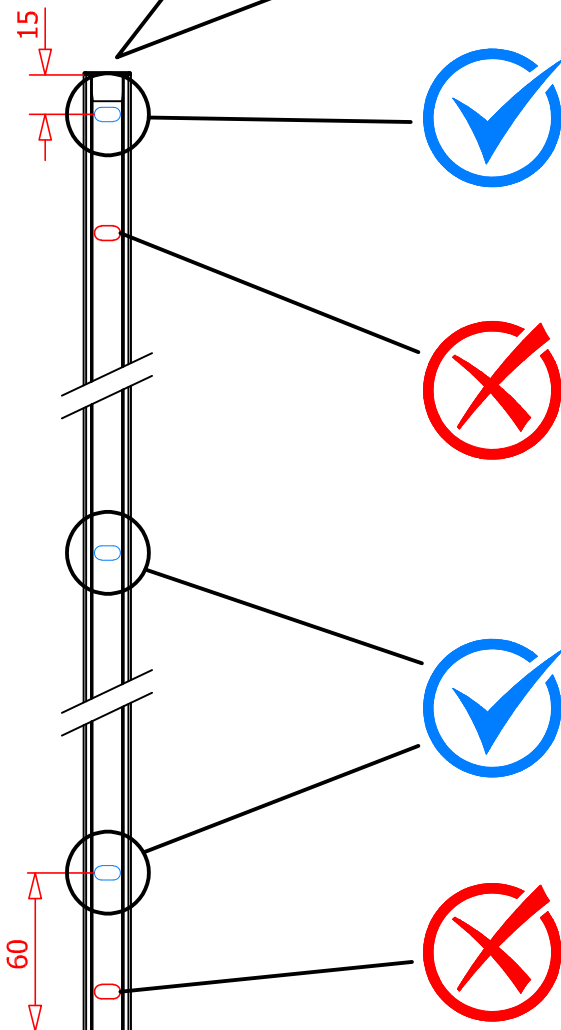
3.1



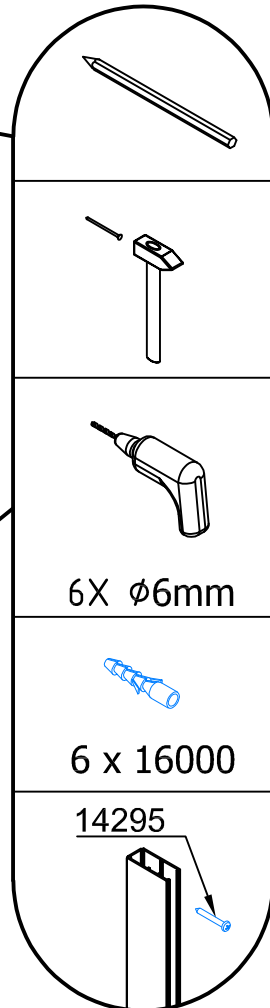
3.2

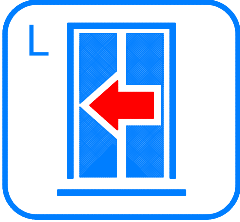


3.4

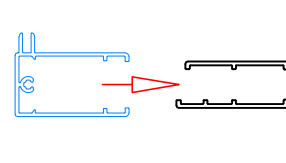
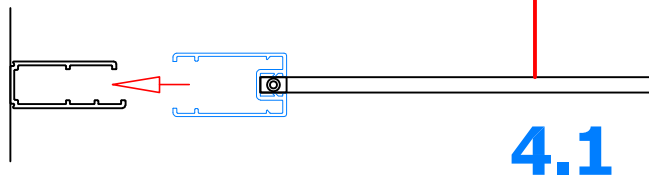
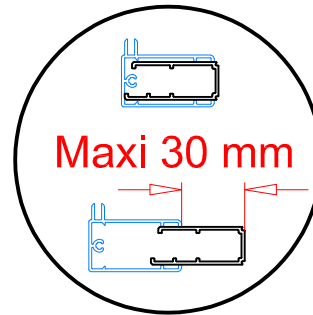
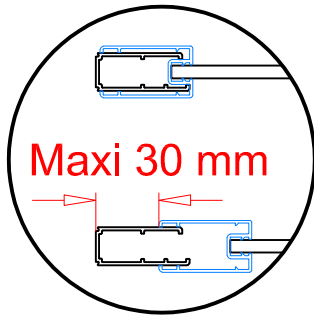


3.3

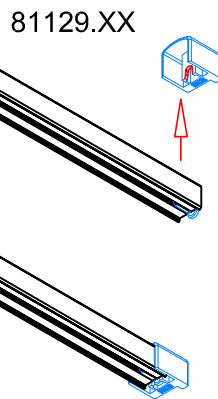
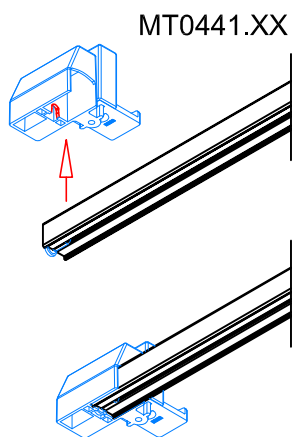




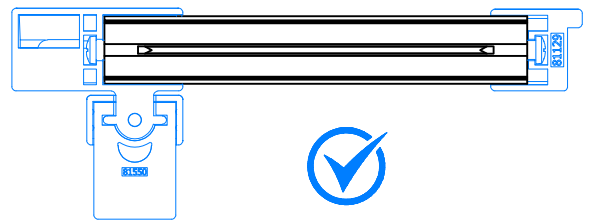
4.1 → 4.4



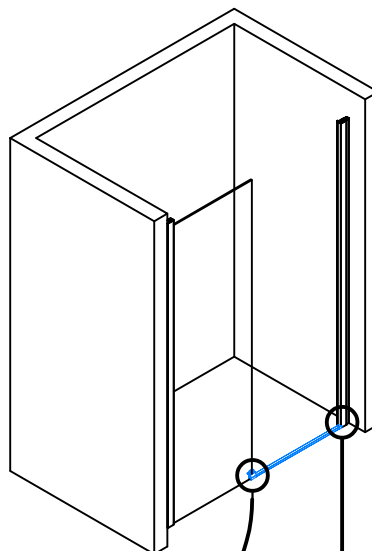
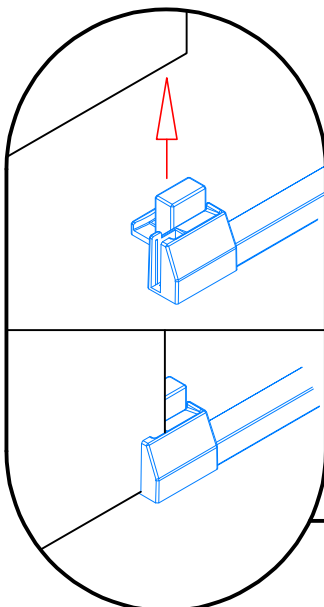
4.1



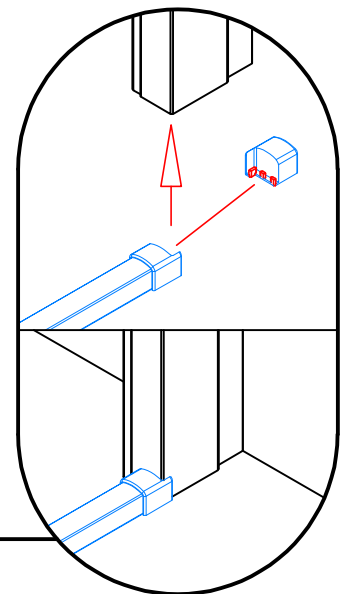
4.2

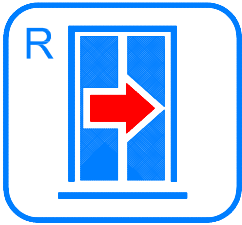


4.3

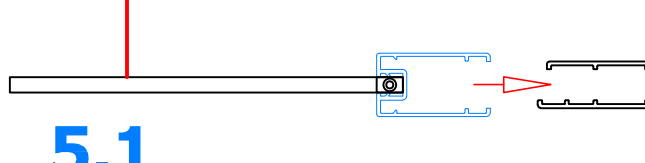
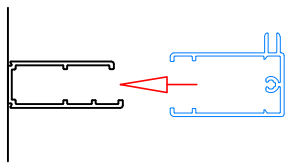
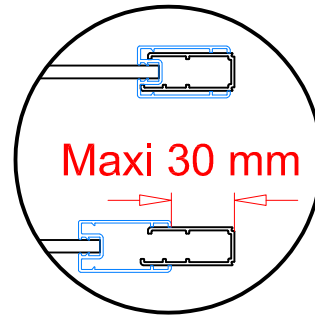
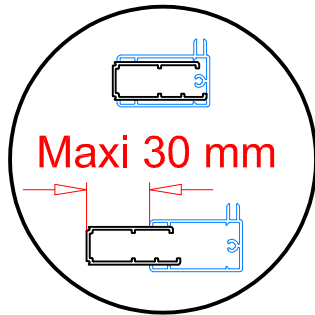


4.4

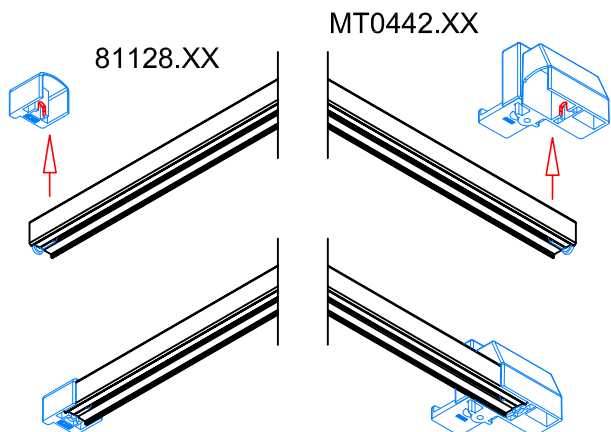




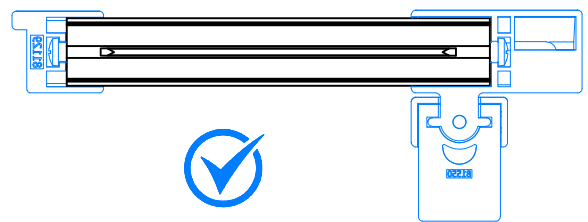
5.1 → 5.4



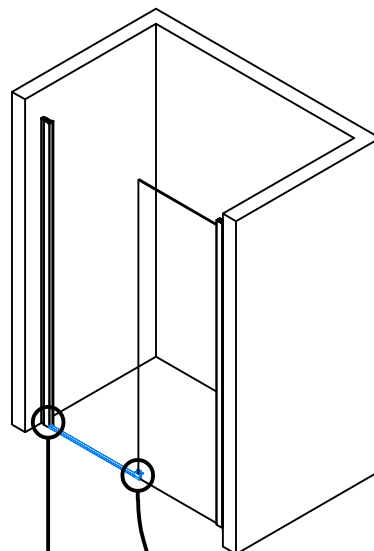
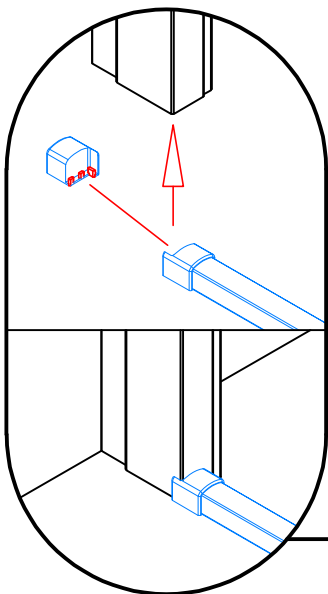
5.1



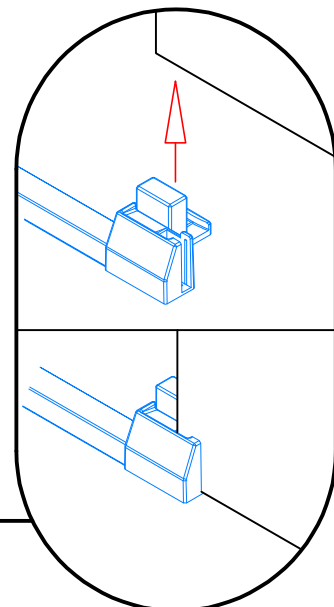
5.2



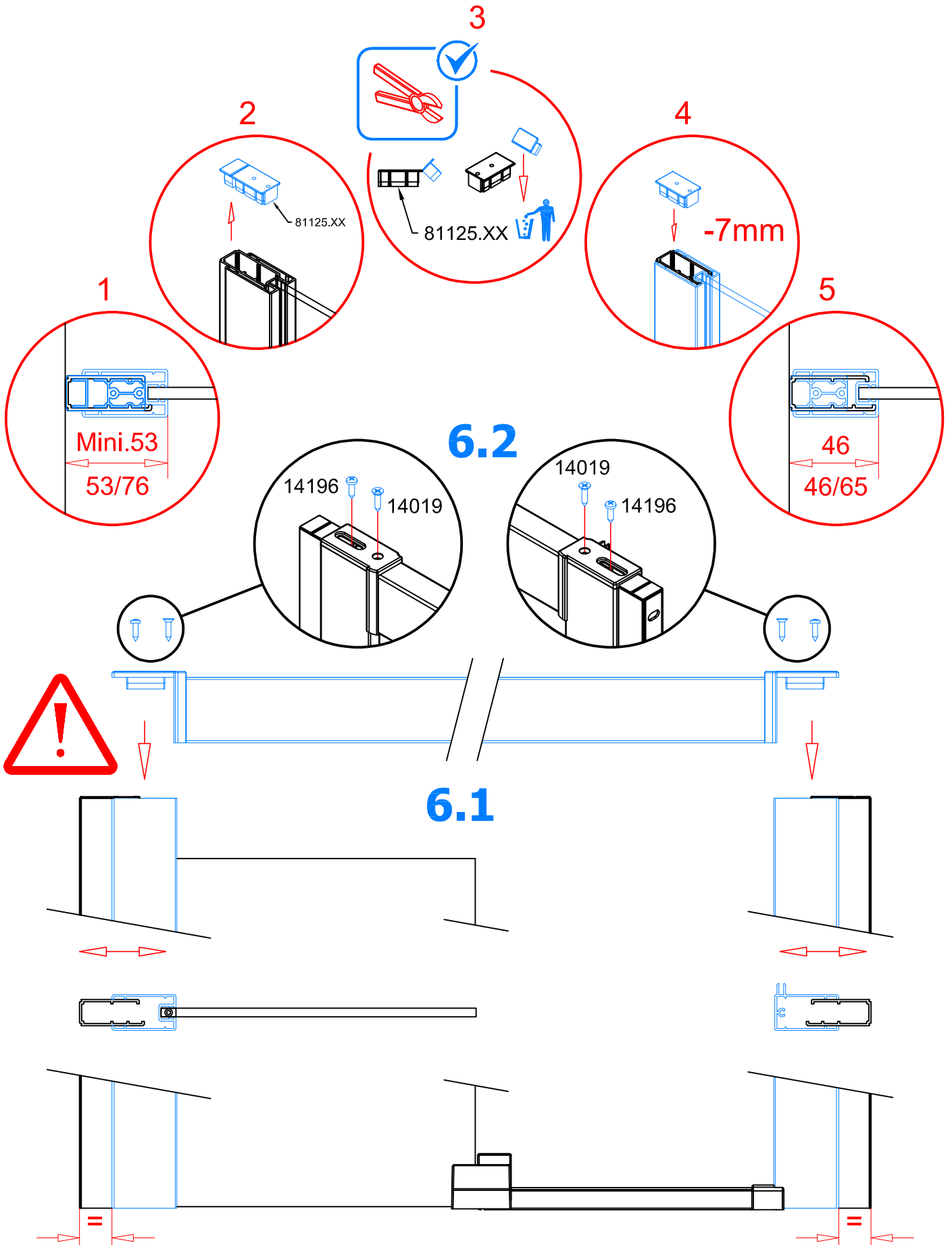
5.4



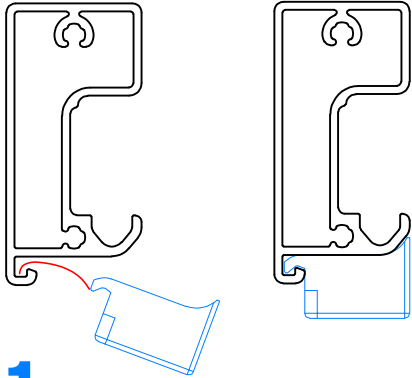
5.3



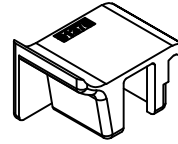
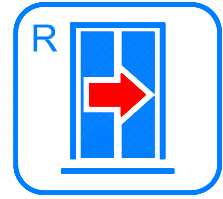
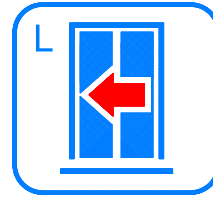
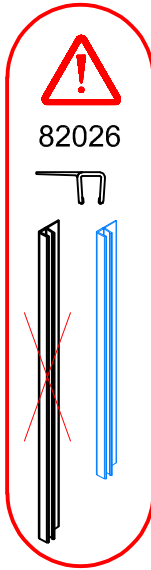
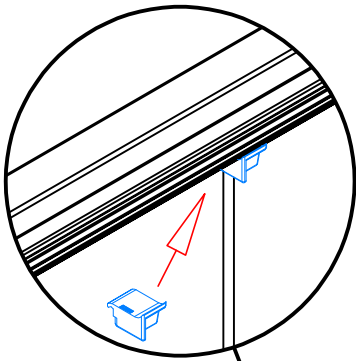
6.1 → 6.2



7.1 → 7.4

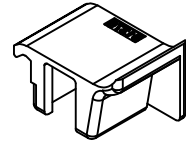


7.1



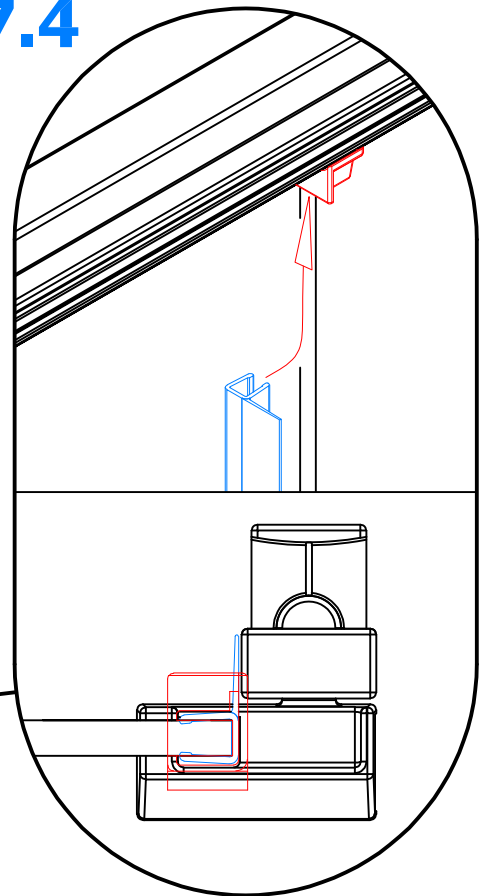
81376

?

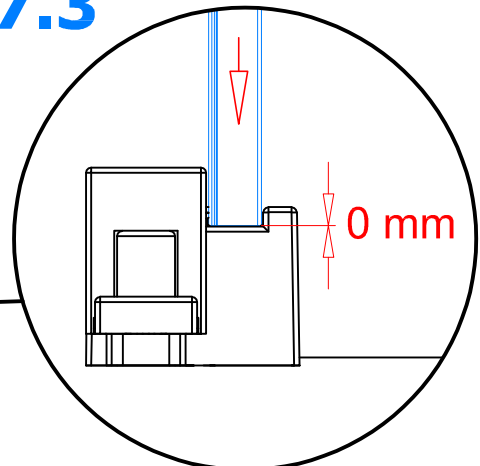


81377

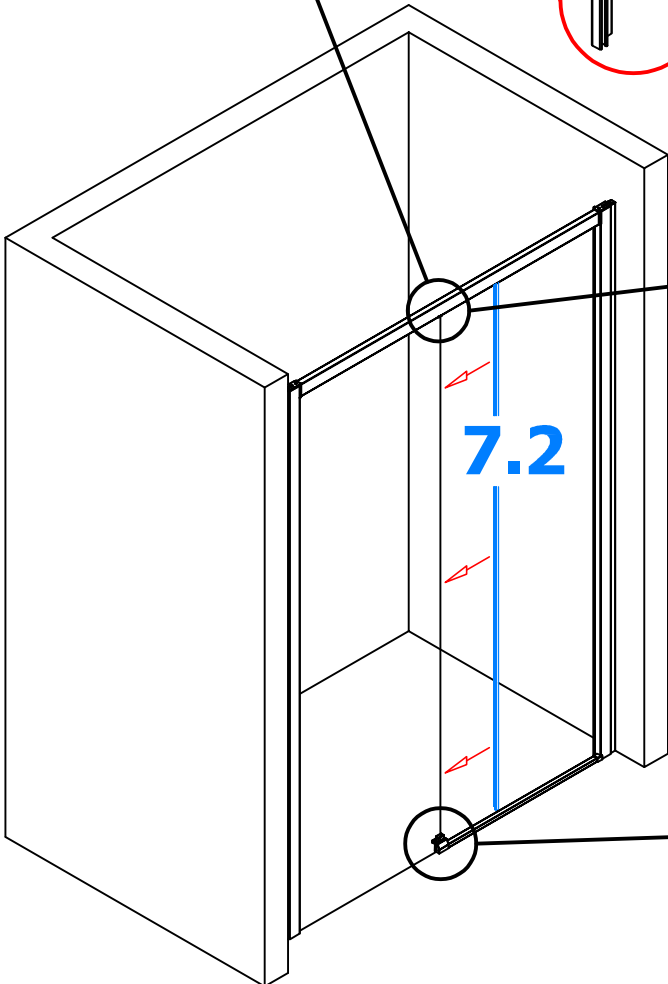
7.4



7.3

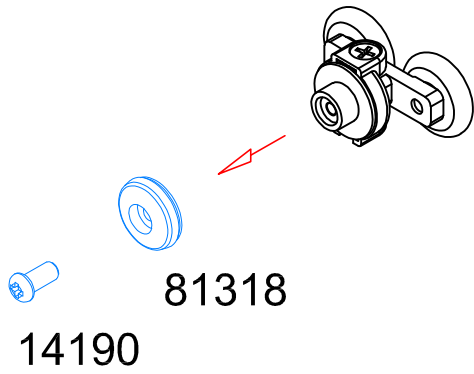


7.2



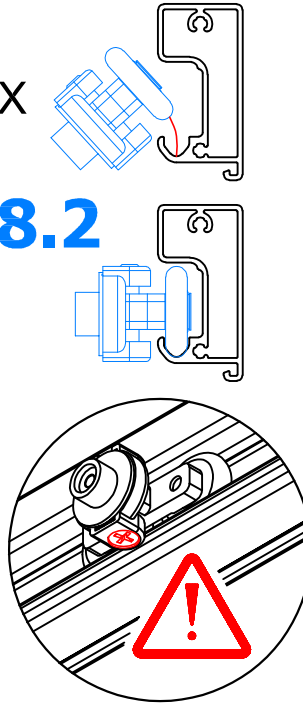
2X

MT8004.XX

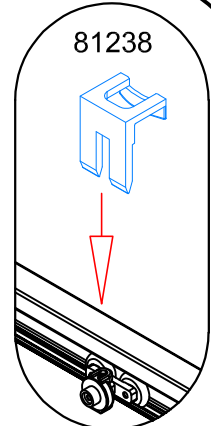


8.1

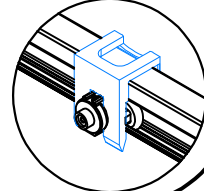
8.2



81238

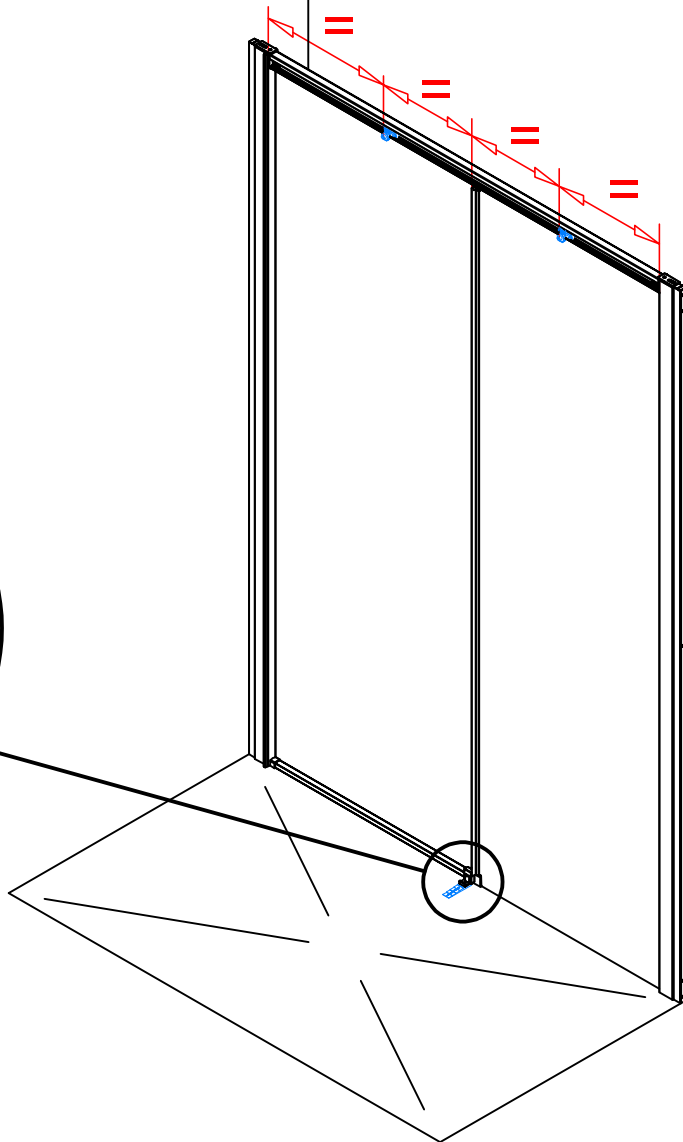
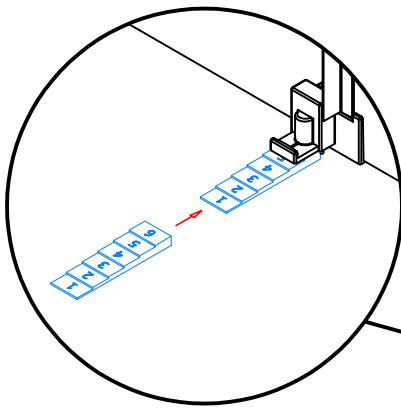


8.3

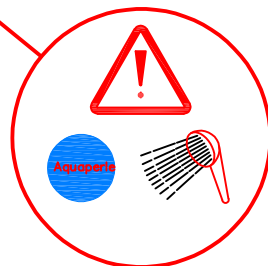
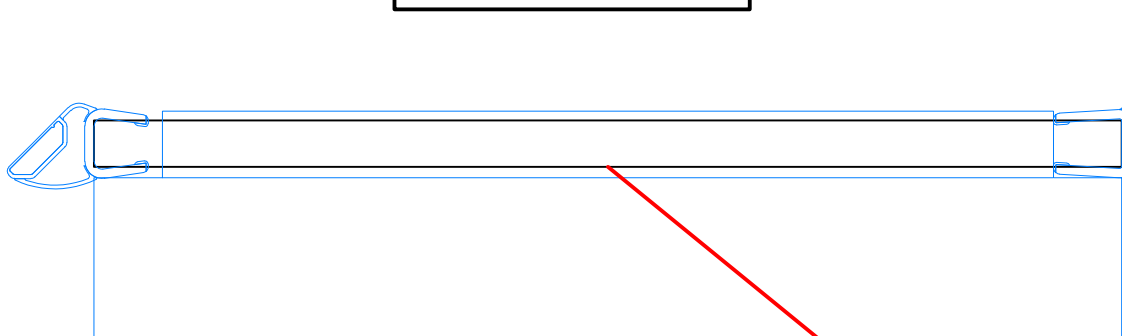


8.1 → 8.4

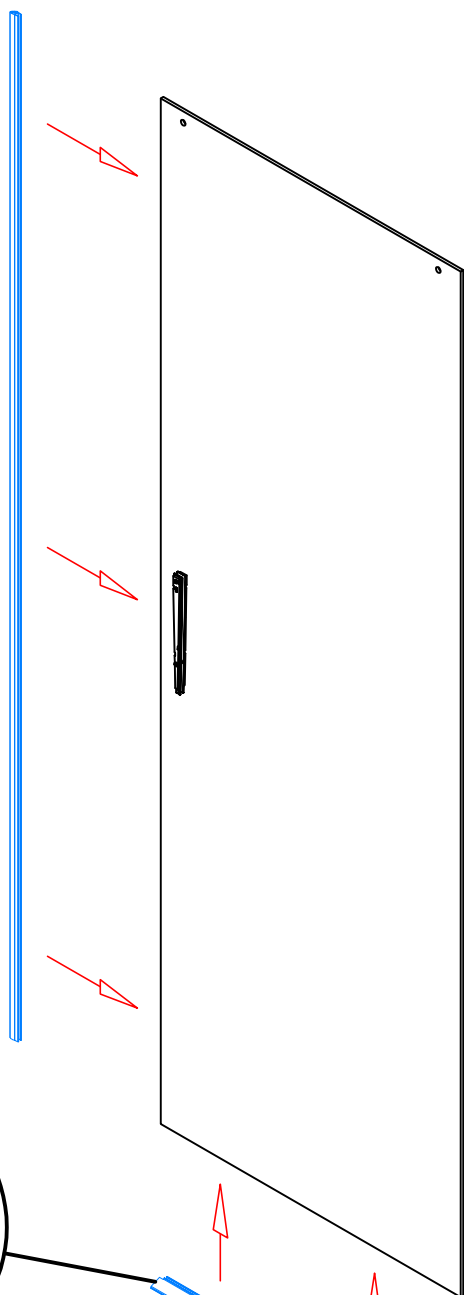
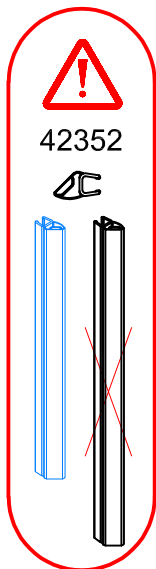
8.4



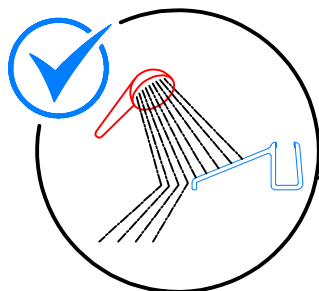
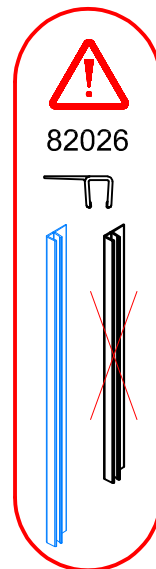
9.1 → 9.3



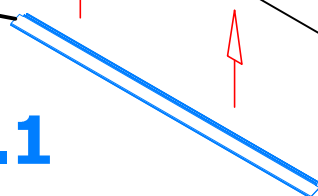
9.2

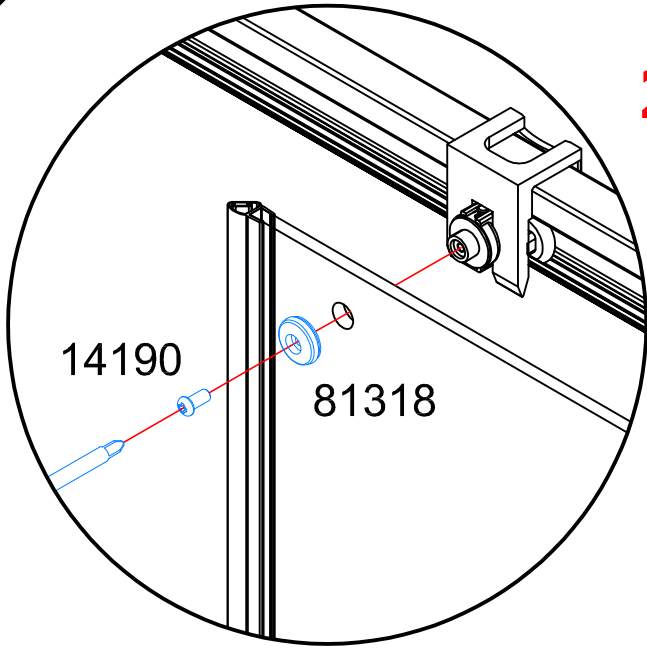


9.3



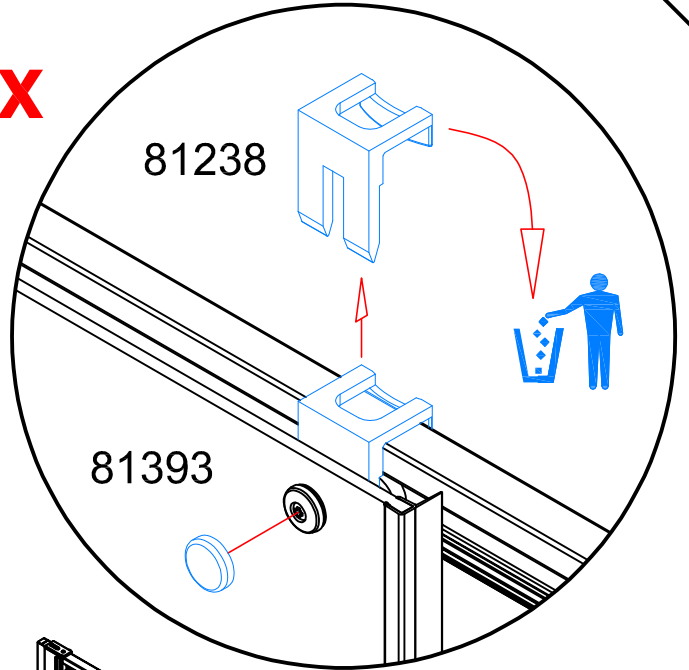
9.1





10.2

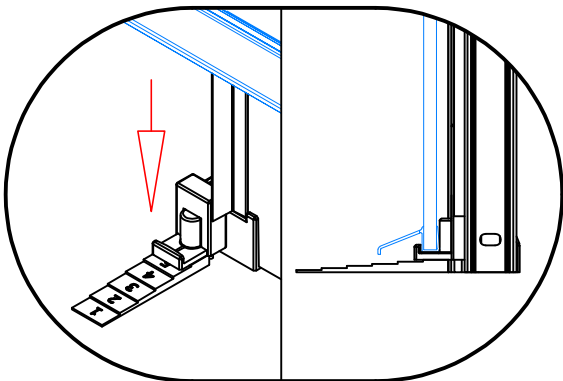
2X



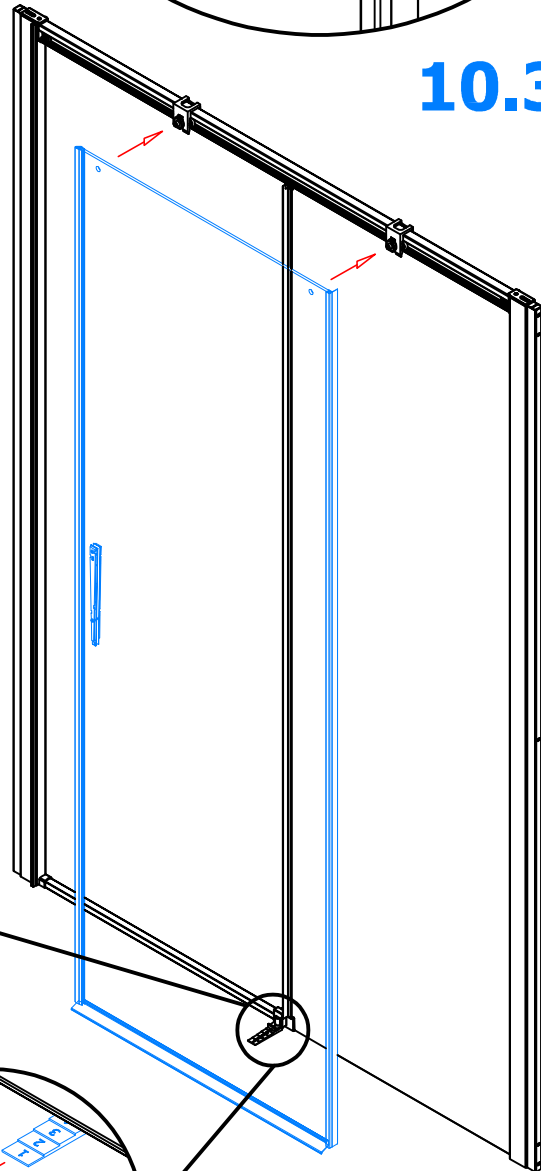
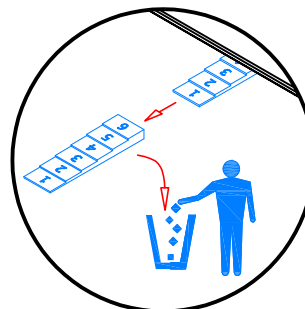
10.3

10.1 → 10.4

10.1

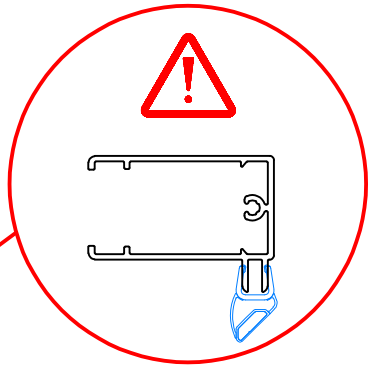
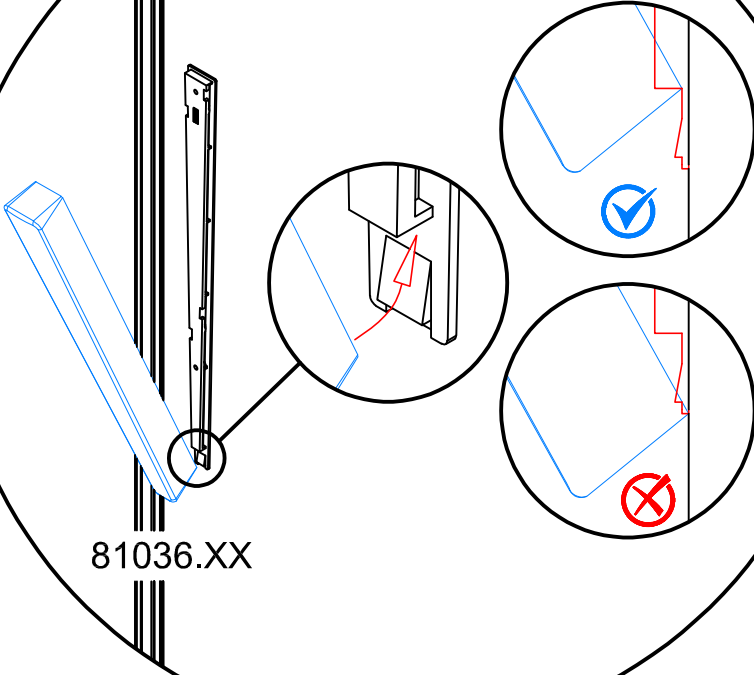


10.4

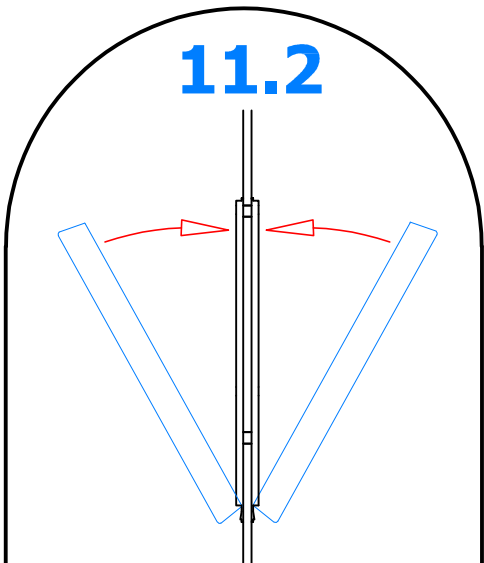


11.1 → 11.4

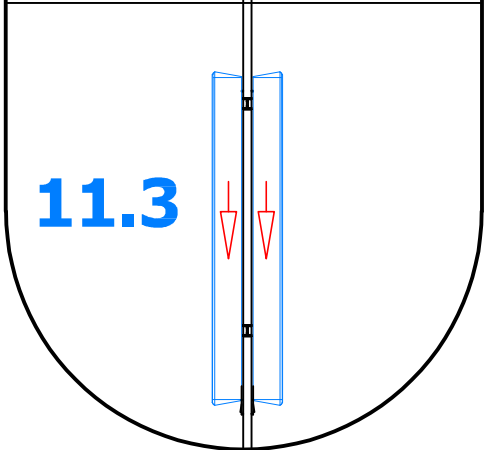
11.1



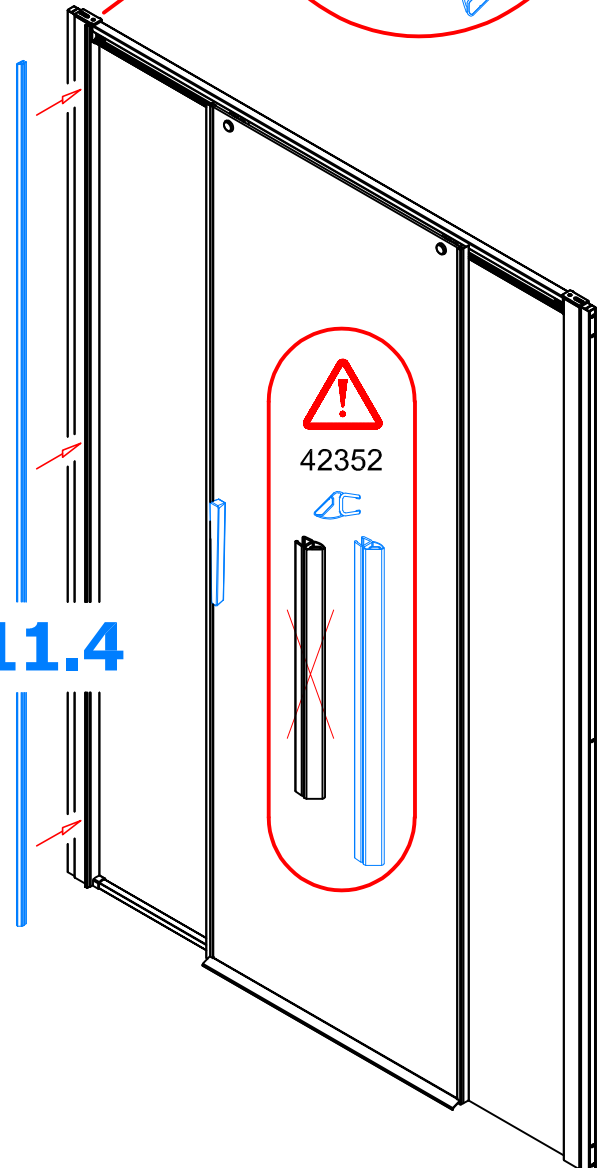
11.2



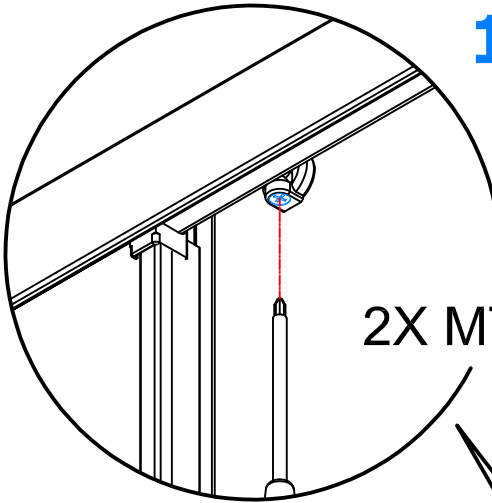
11.3



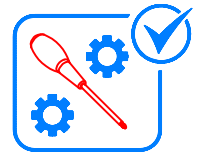
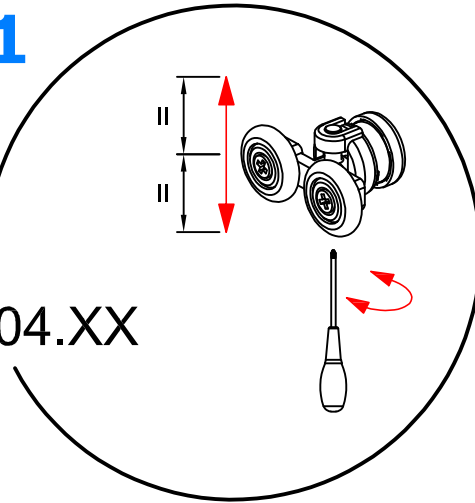
11.4



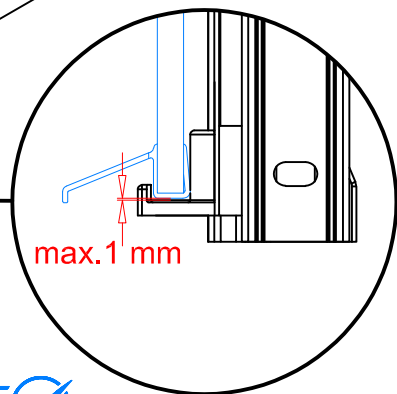
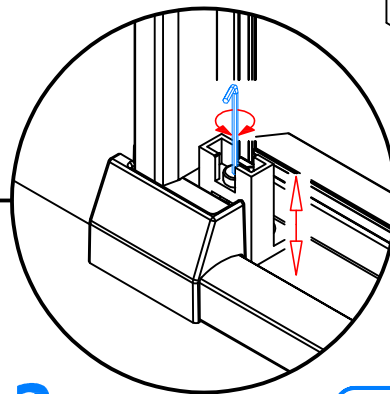
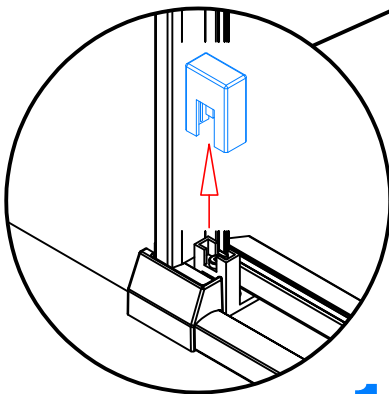
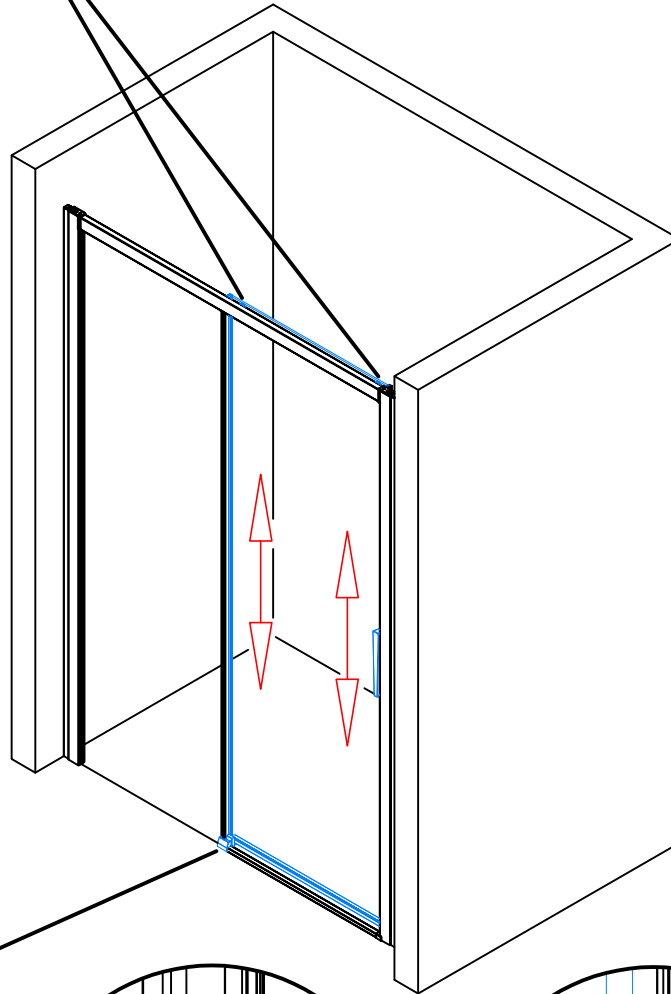
12.1



2X MT8004.XX



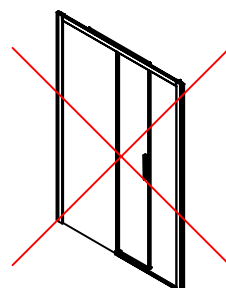
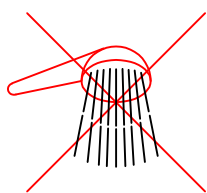
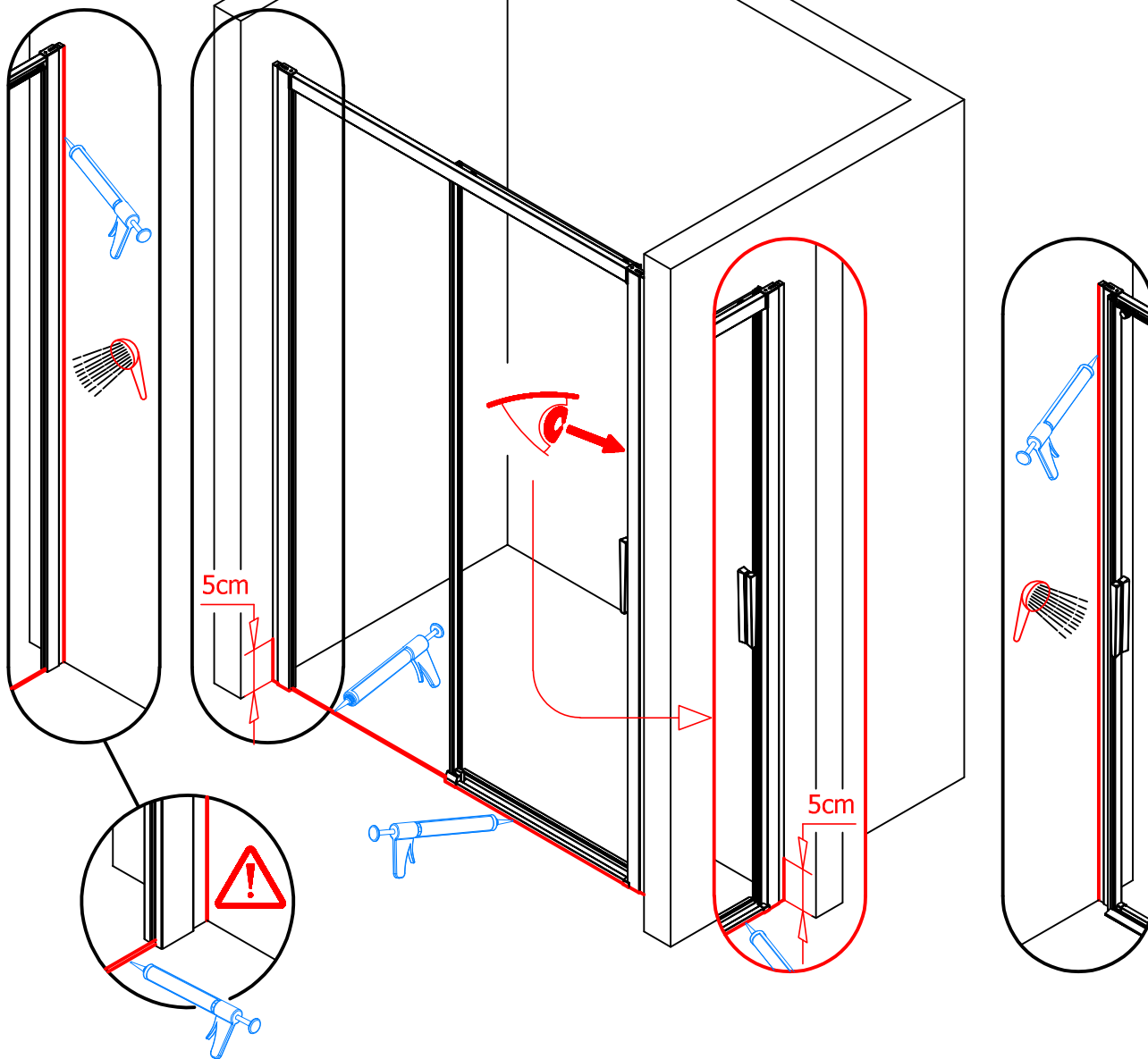
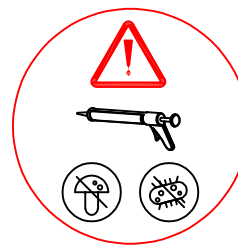
12.1 → 12.2



12.2

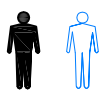
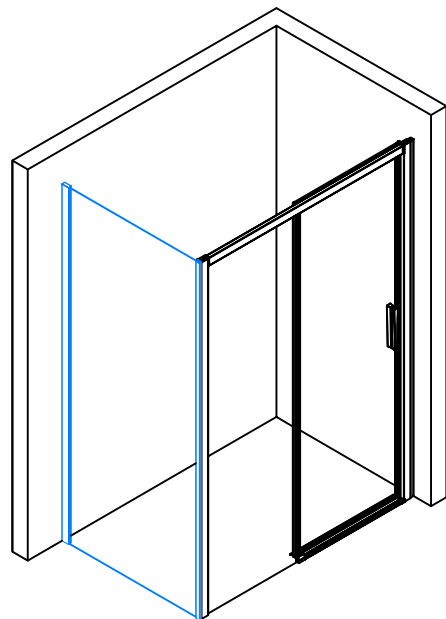
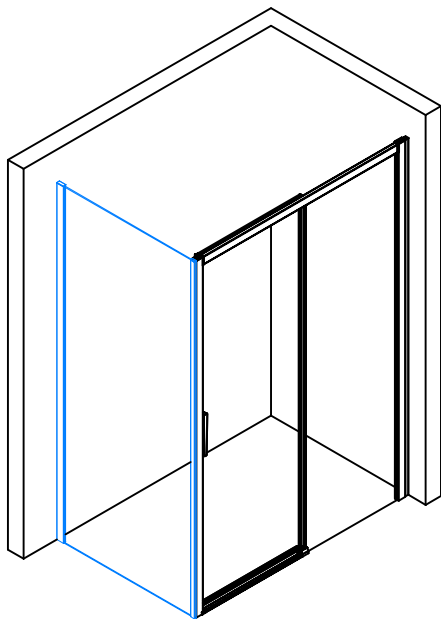
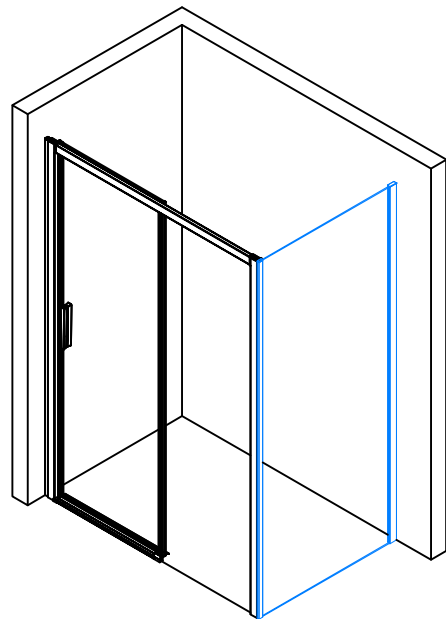
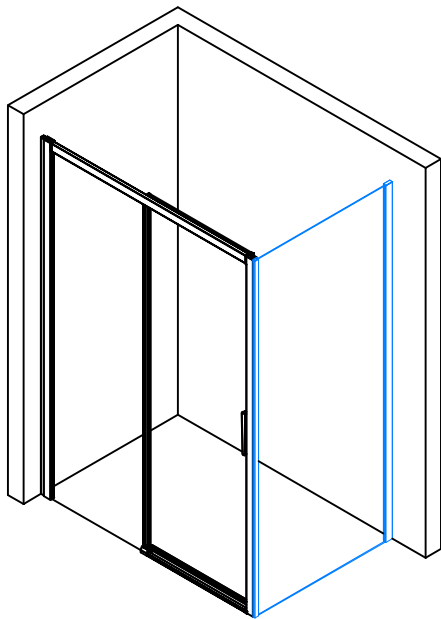


13.

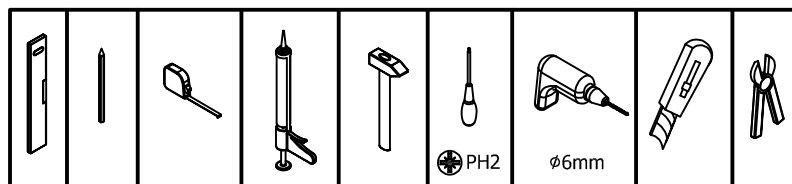


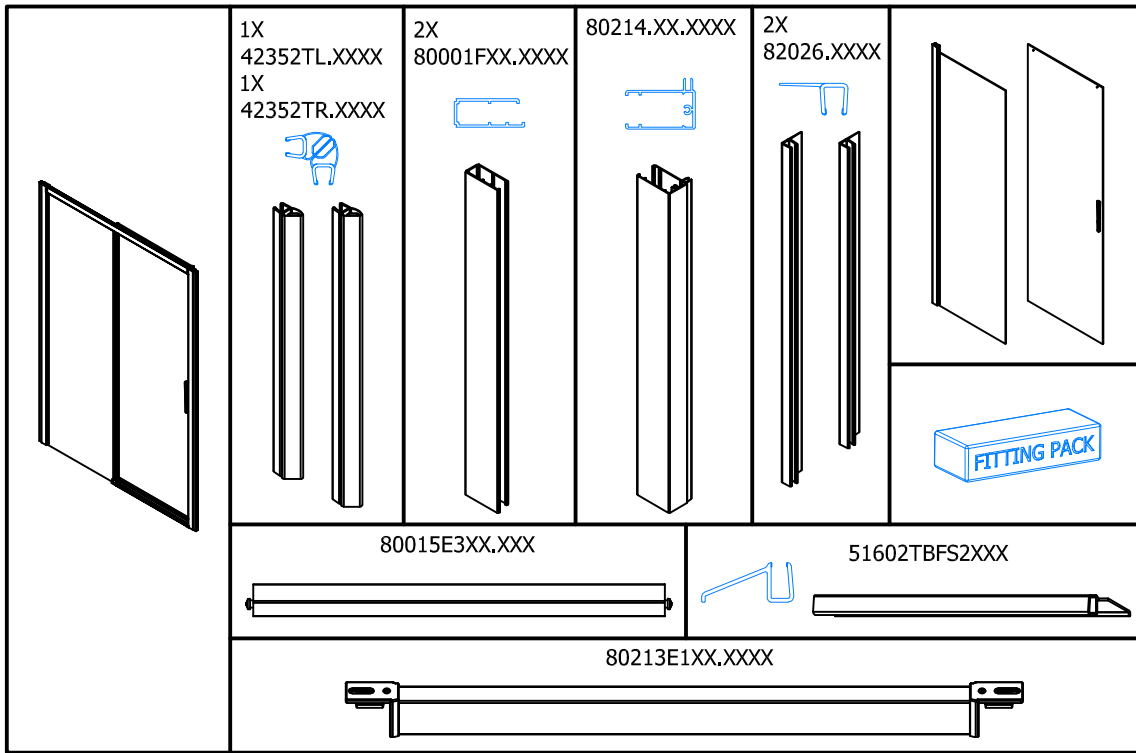


P16. → P37.

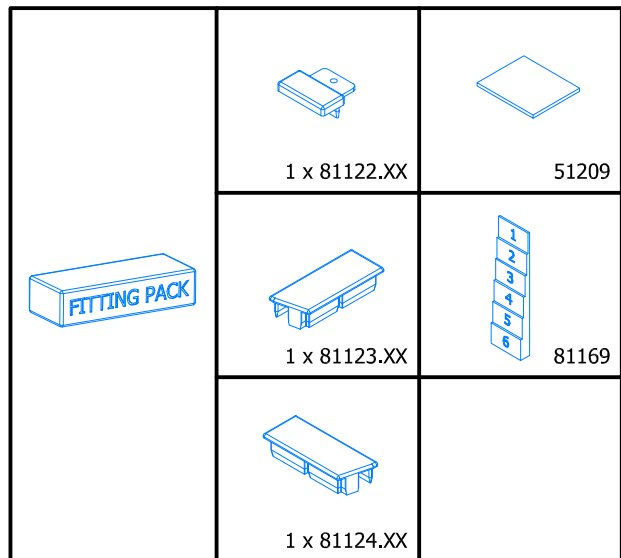
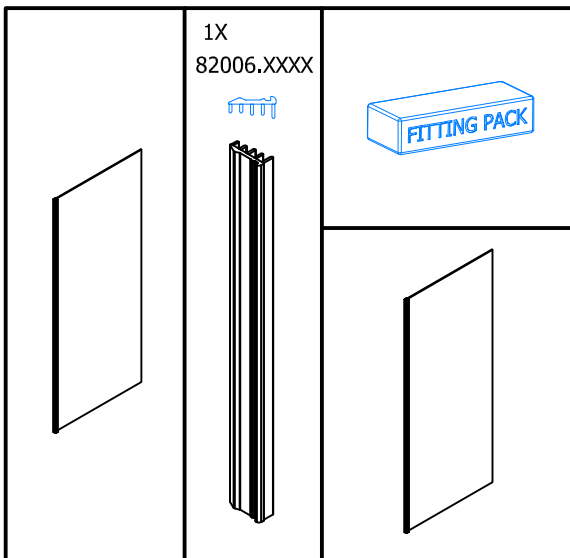


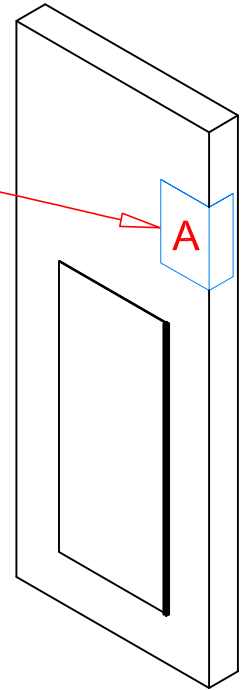
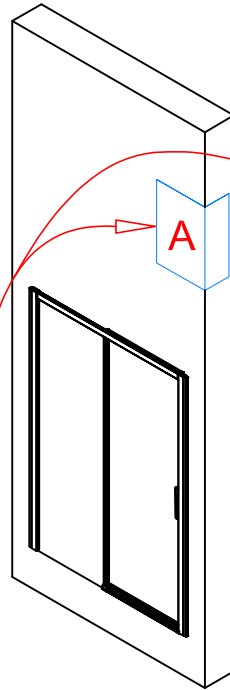
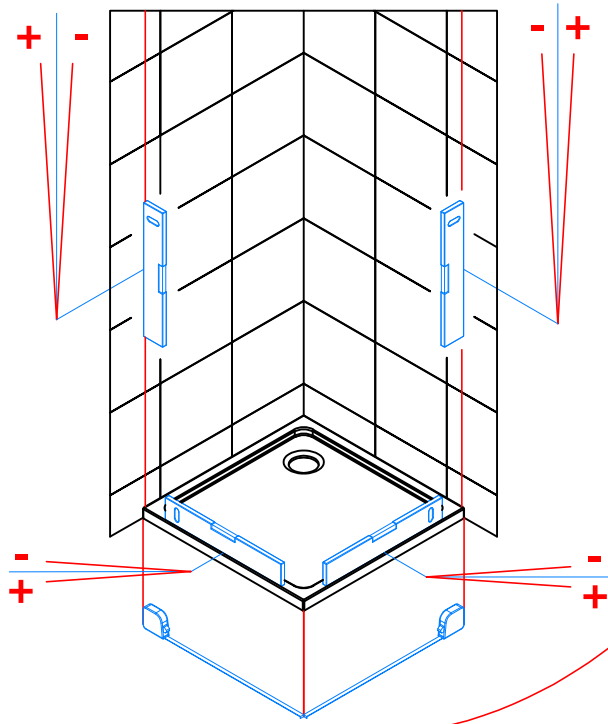
1x





	2.5 mm - 17165 1 x 11221	 6 x 14295 4.2X32mm	 2 x 81125.XX	 2 x 81393.XX	 2 x MT8004.XX
	2 x 14019 2 x 14196	 6 x 16000 ø 6mm	 1 x MT0442.XX	 1 x MT0441.XX	1 x 81377 1 x 81376
	 1 x 81169	 2 x 81238	 1 x 81128.XX	 1 x 81129.XX	 2 x 81036.XX

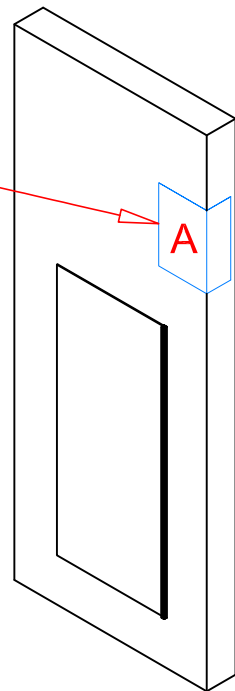
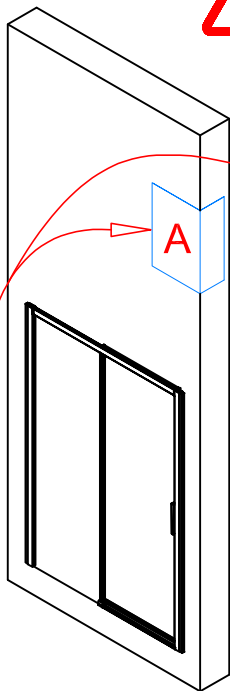
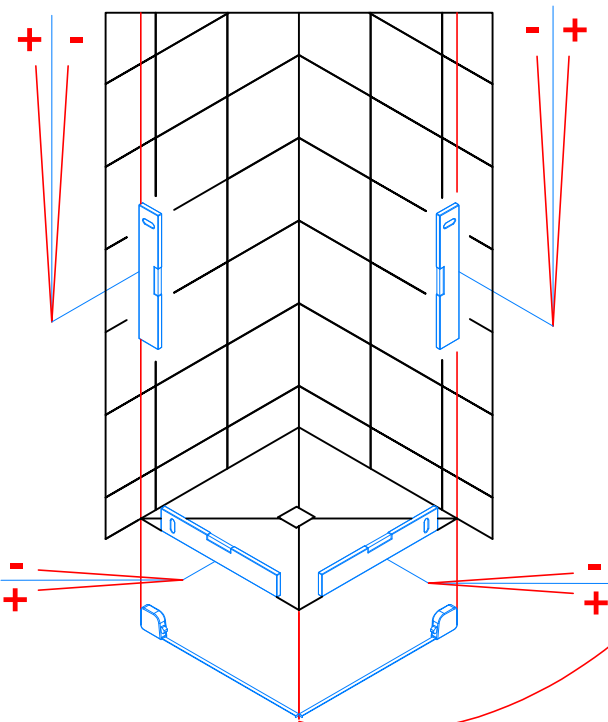




A	
STD	SM
-20 ; +10	-10 ; +20

A	
STD	SM
-20 ; +5	-10 ; +15

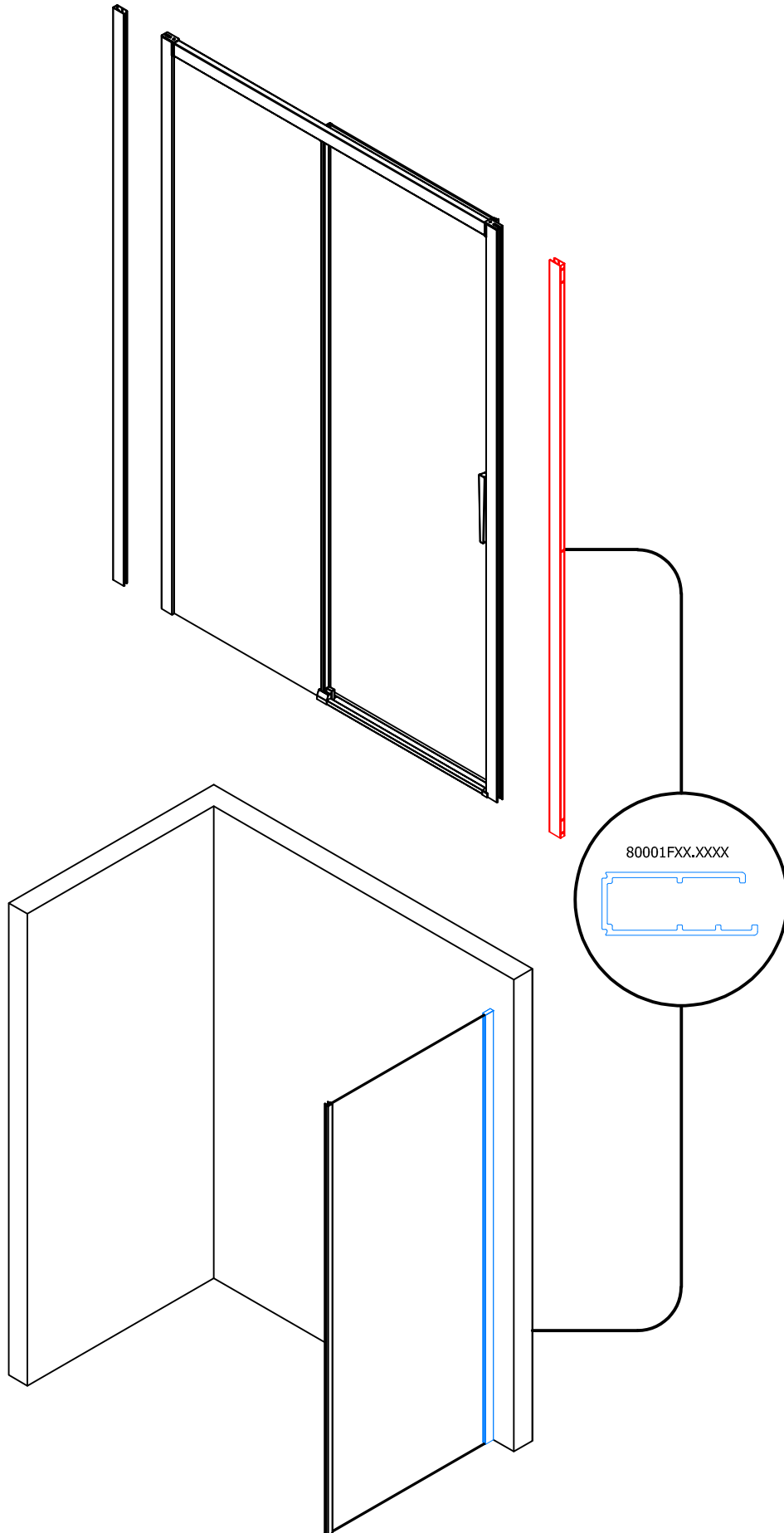
14.

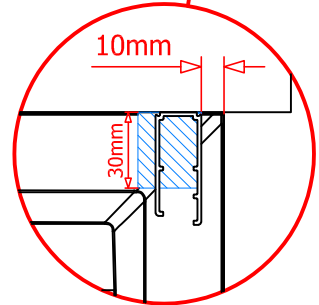
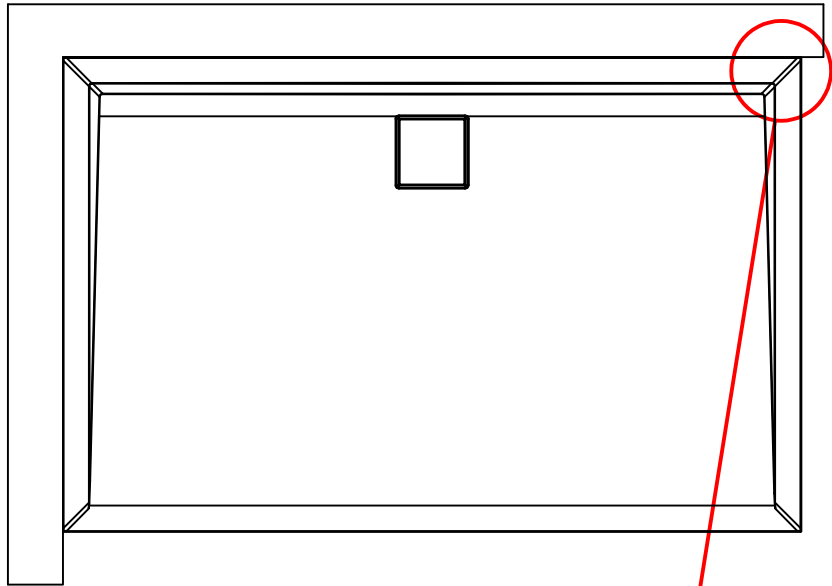
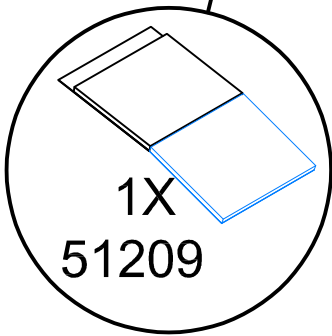
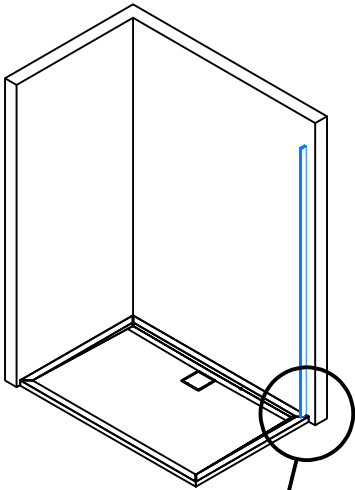


A	
STD	SM
-36 ; -6	-10 ; +20

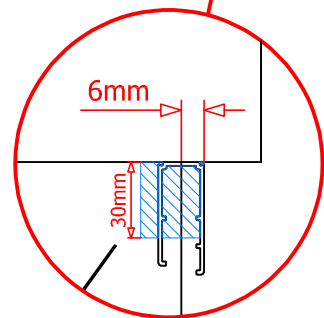
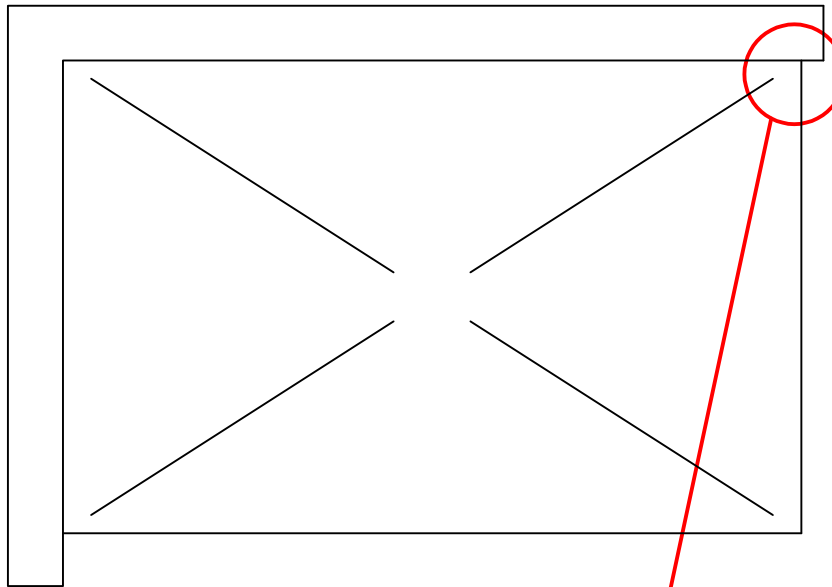
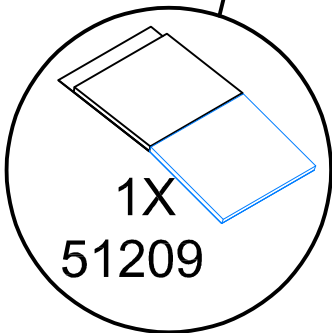
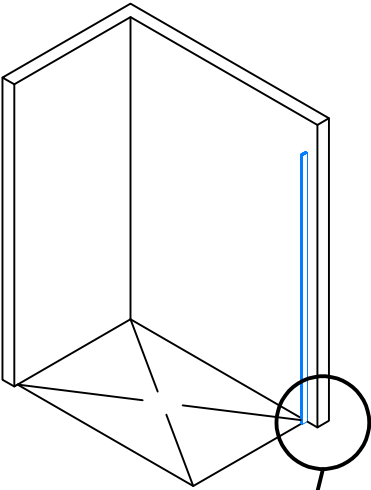
A	
STD	SM
-42 ; -17	-10 ; +15

15.

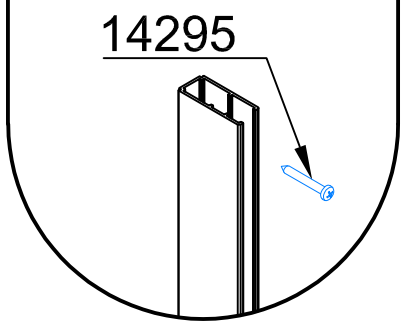
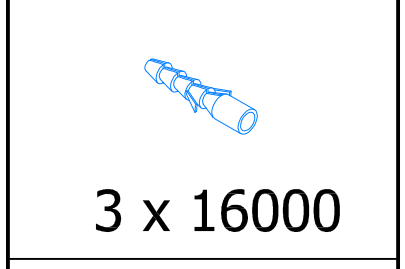
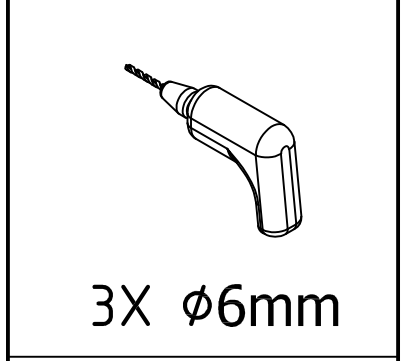
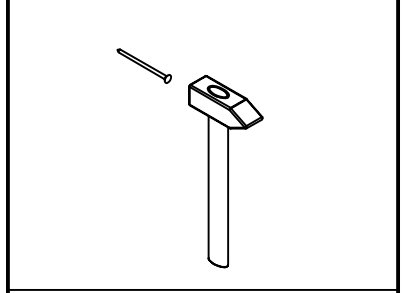
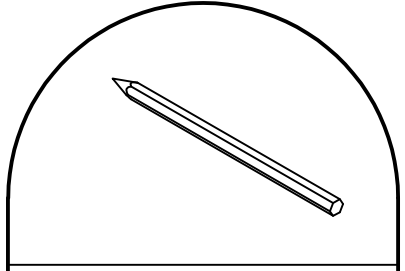
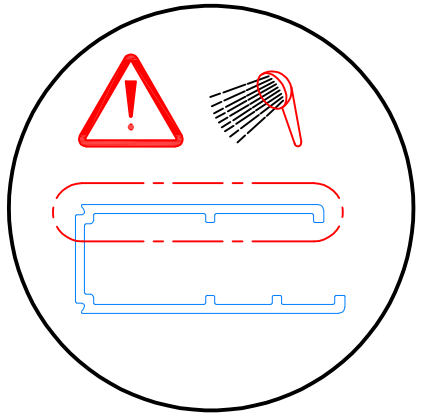
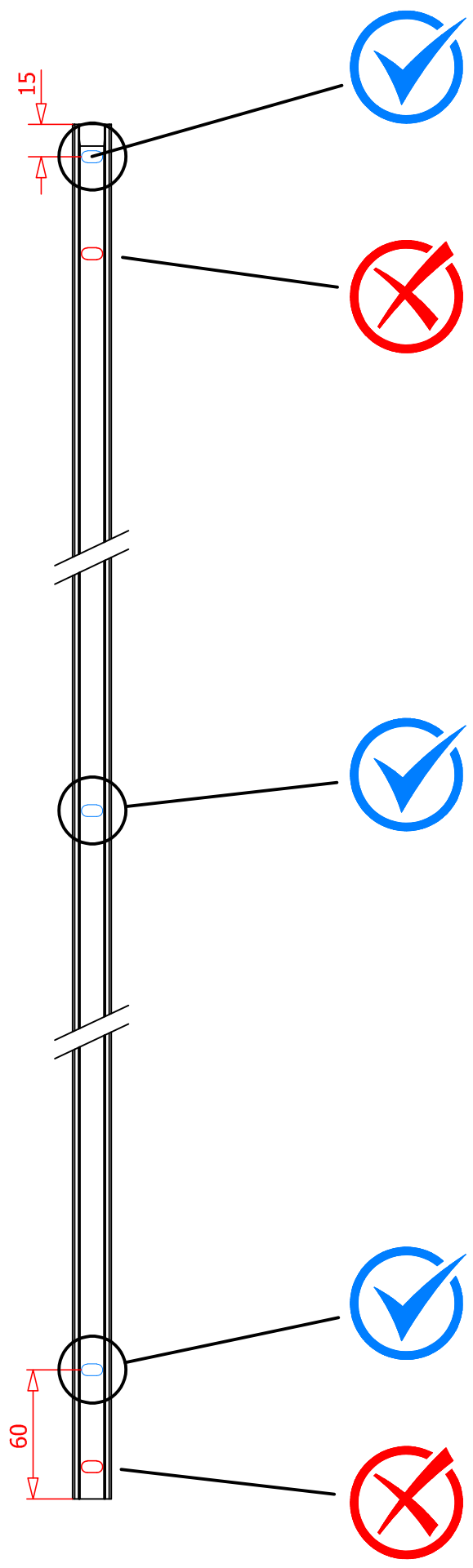




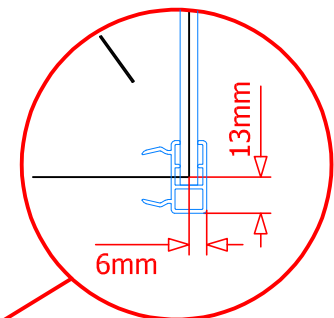
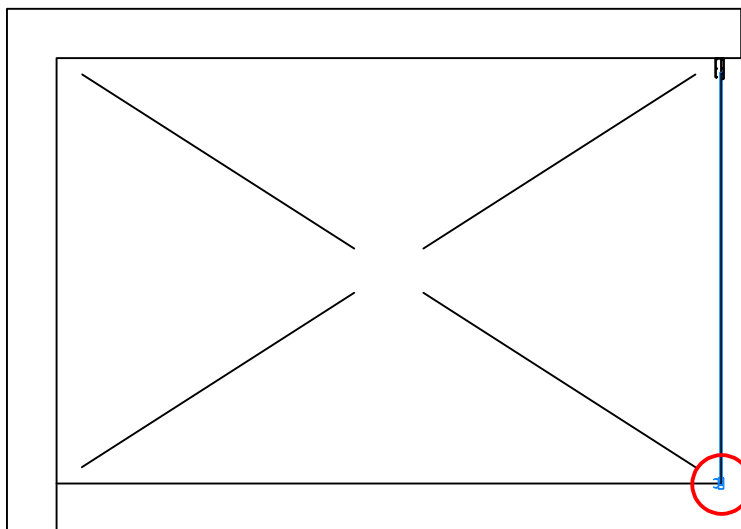
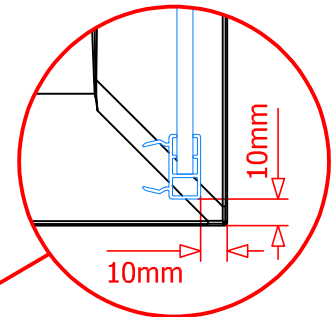
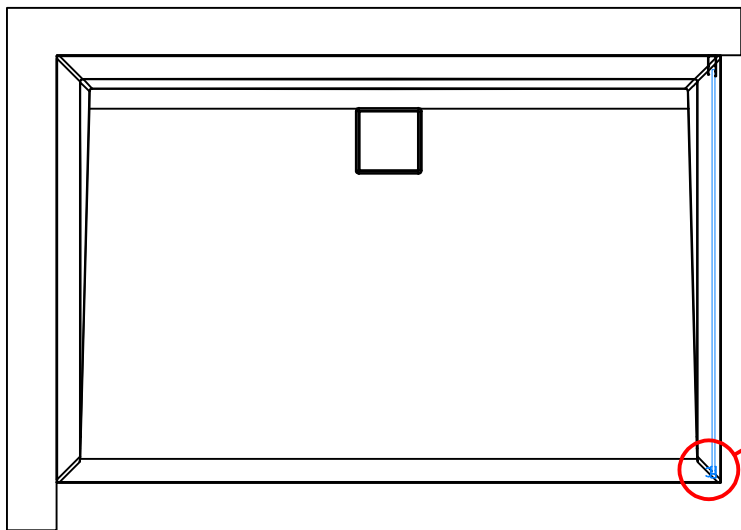
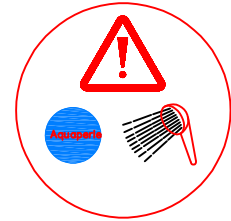
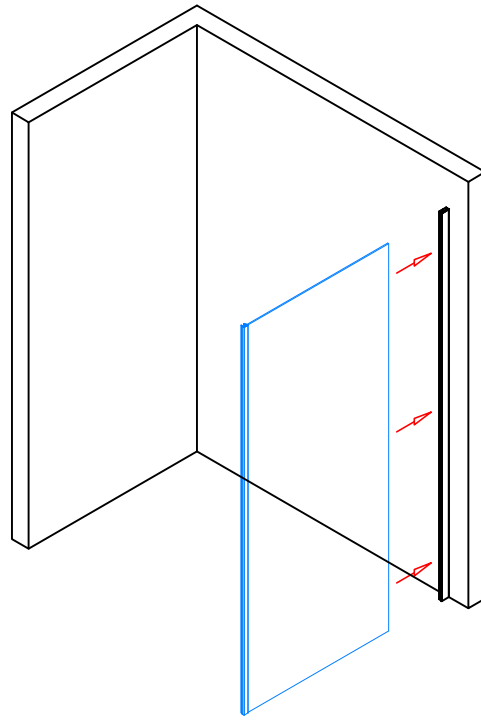
16.



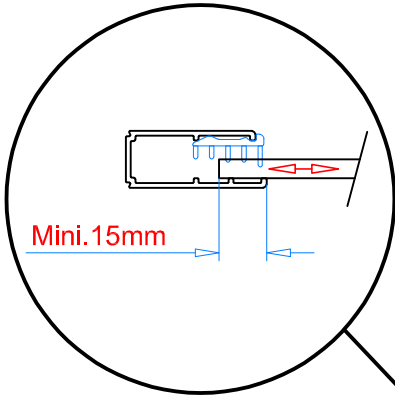
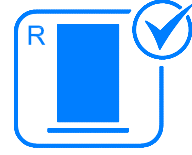
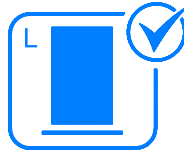
17.



18.

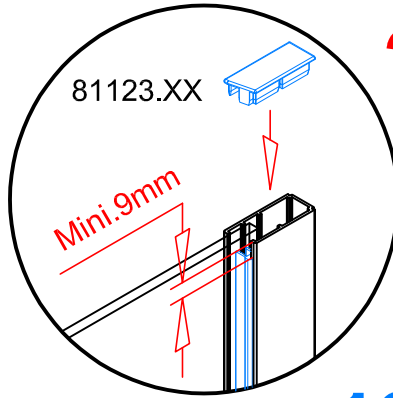


19.1 → 19.4



Mini.15mm

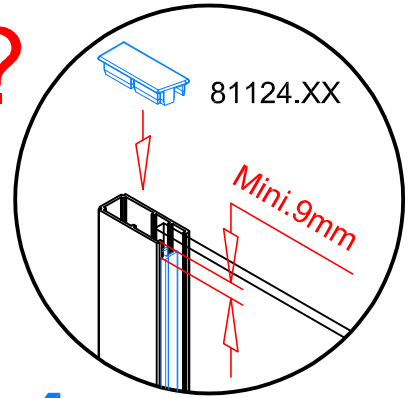
19.3



81123.XX

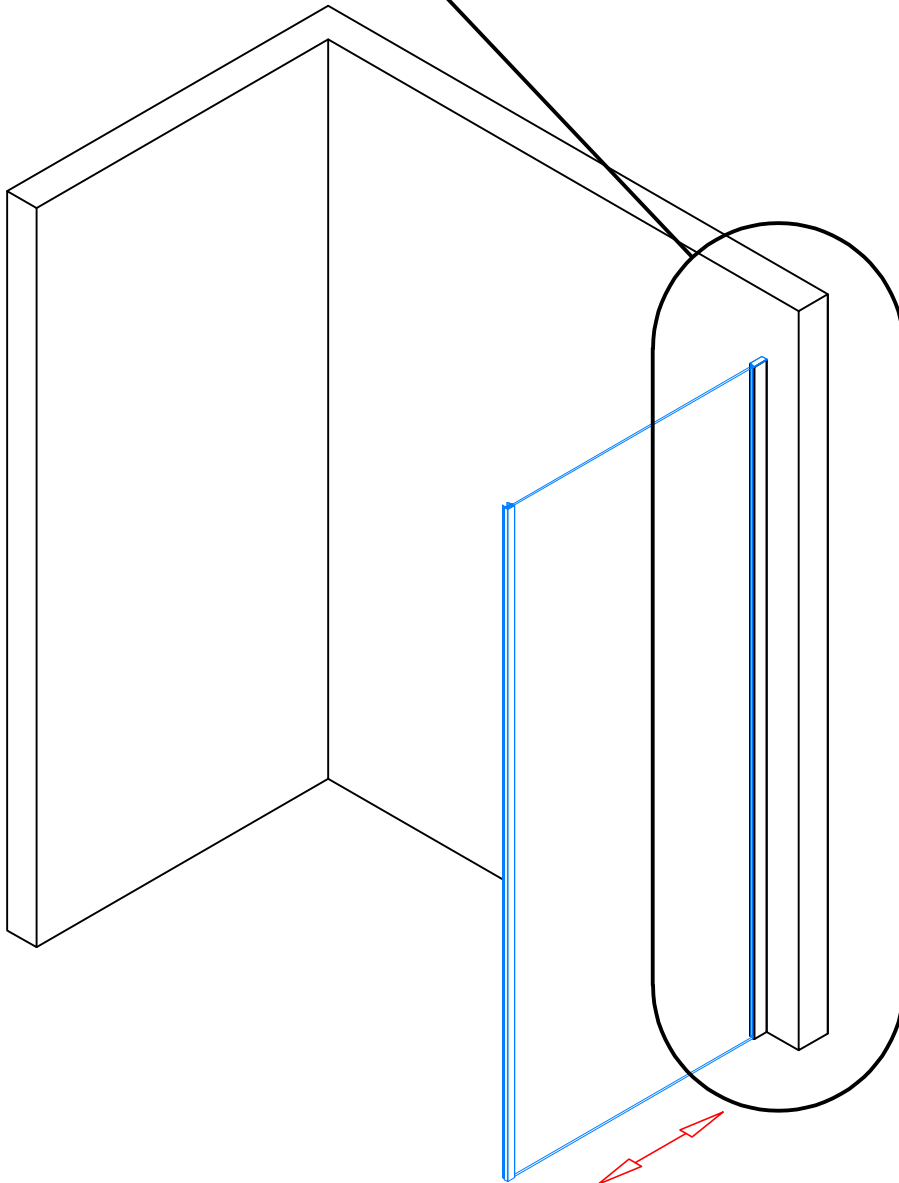
Mini.9mm

19.4

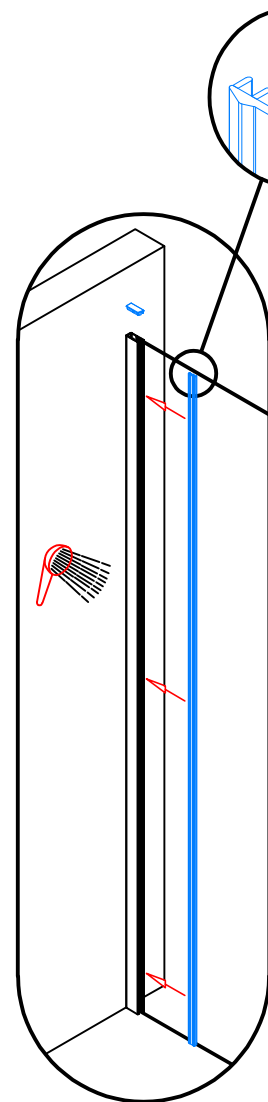


81124.XX

Mini.9mm



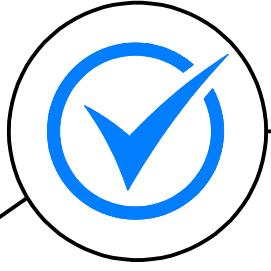
19.1



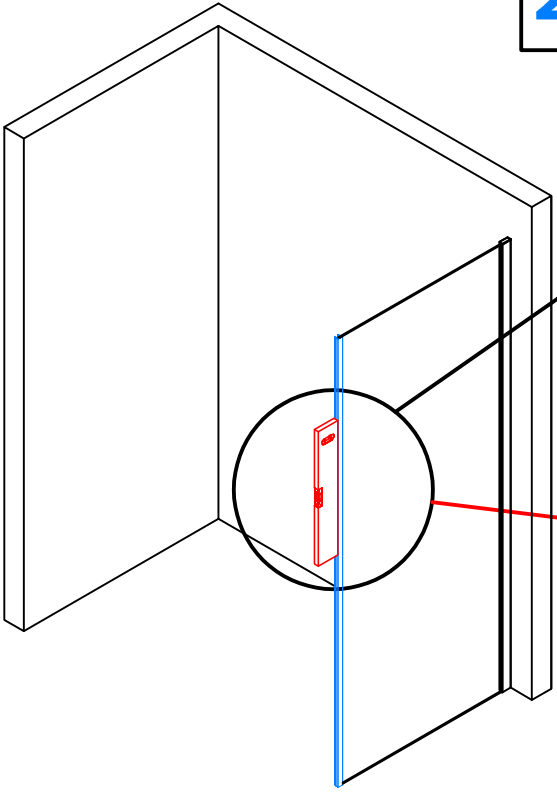
82006

19.2

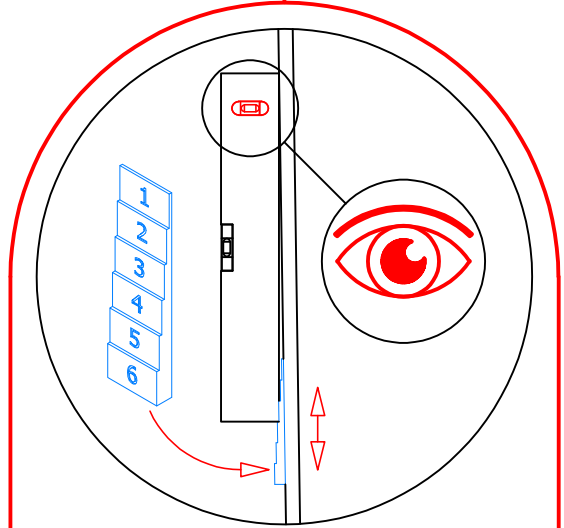
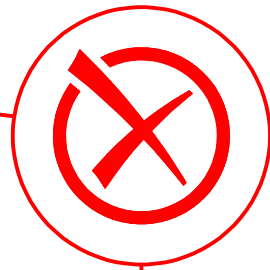
20.



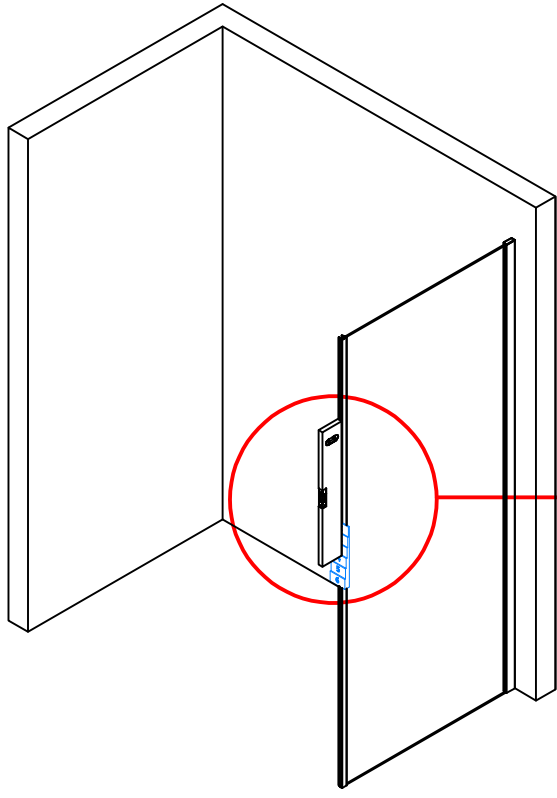
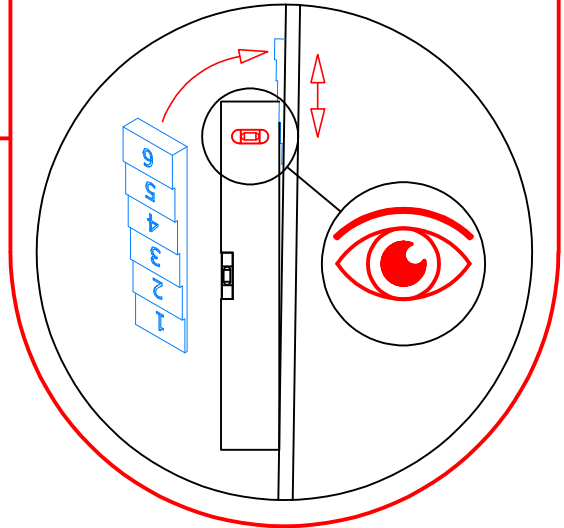
→ P26.



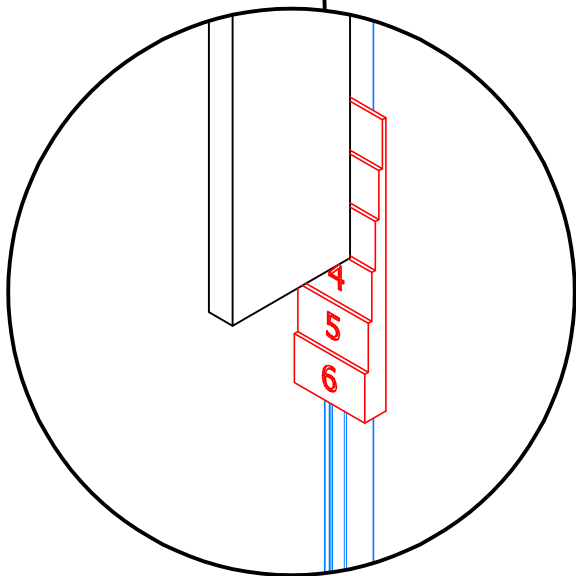
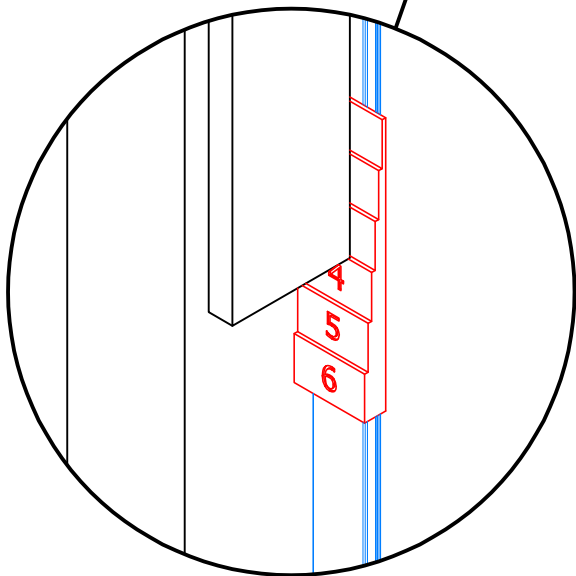
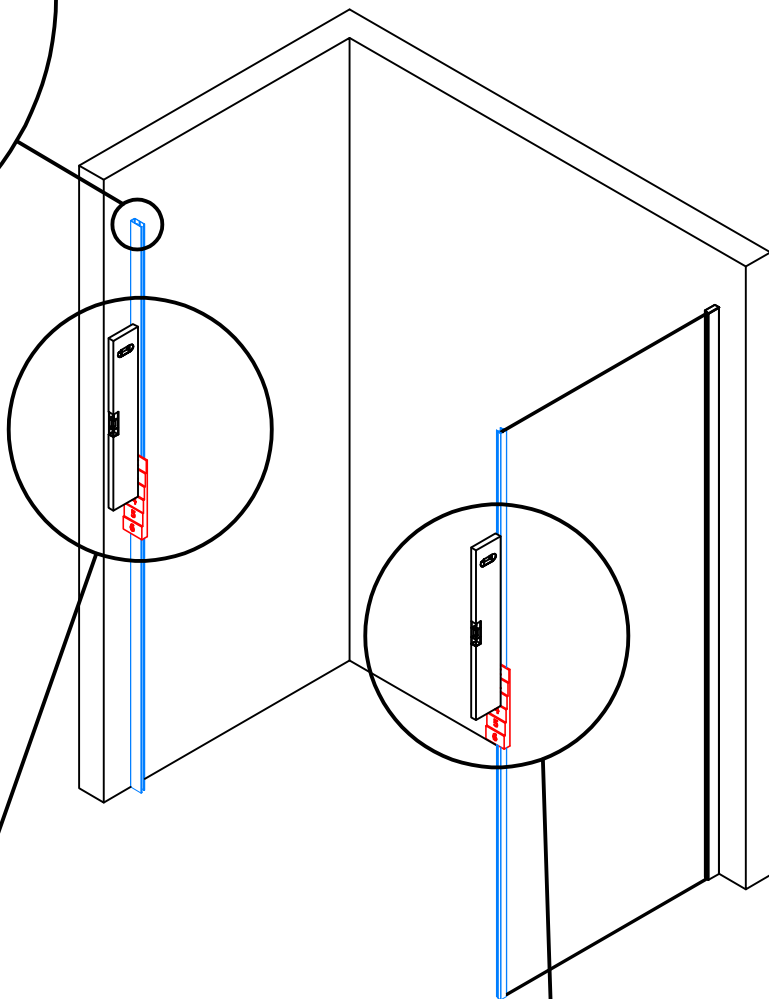
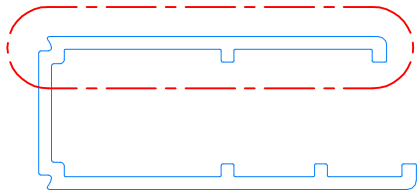
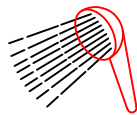
?

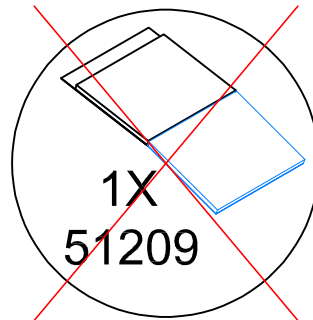
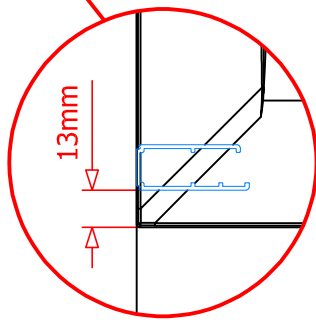
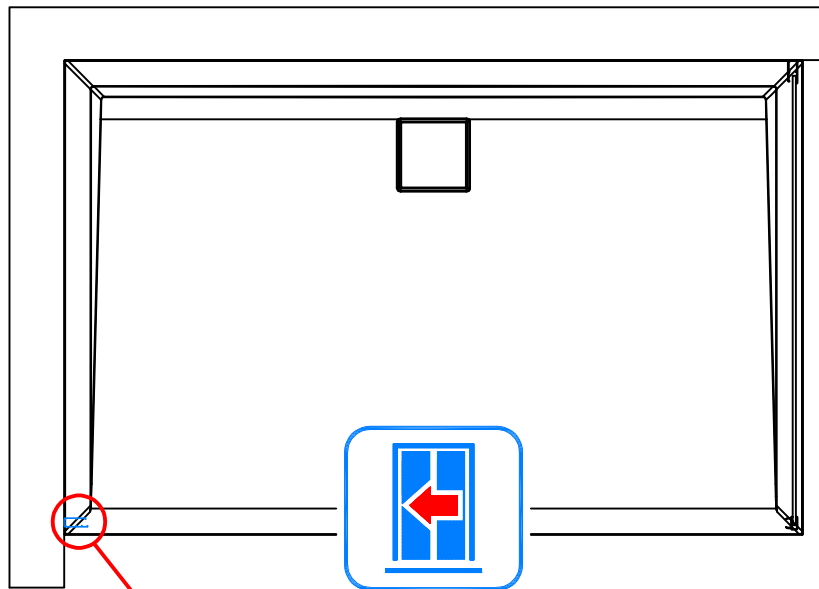


?

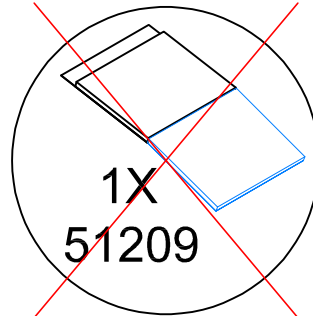
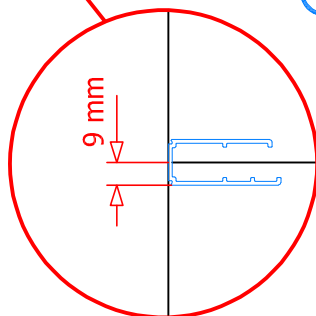
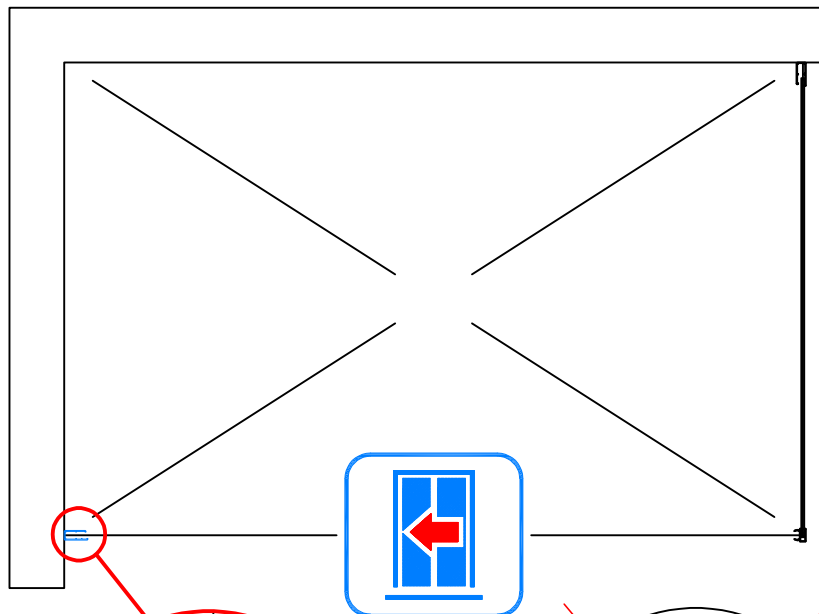


21.

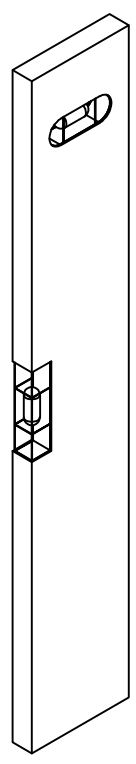




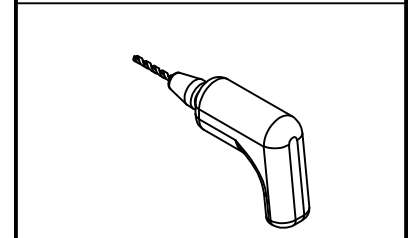
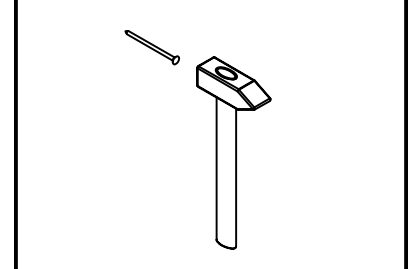
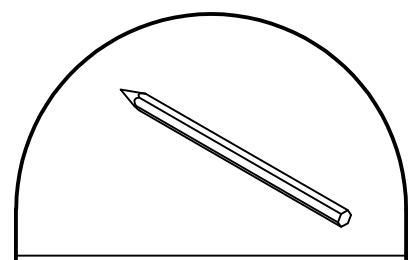
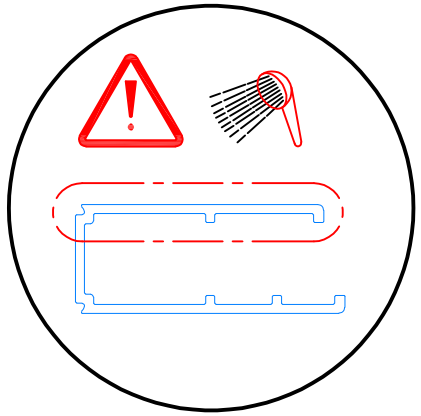
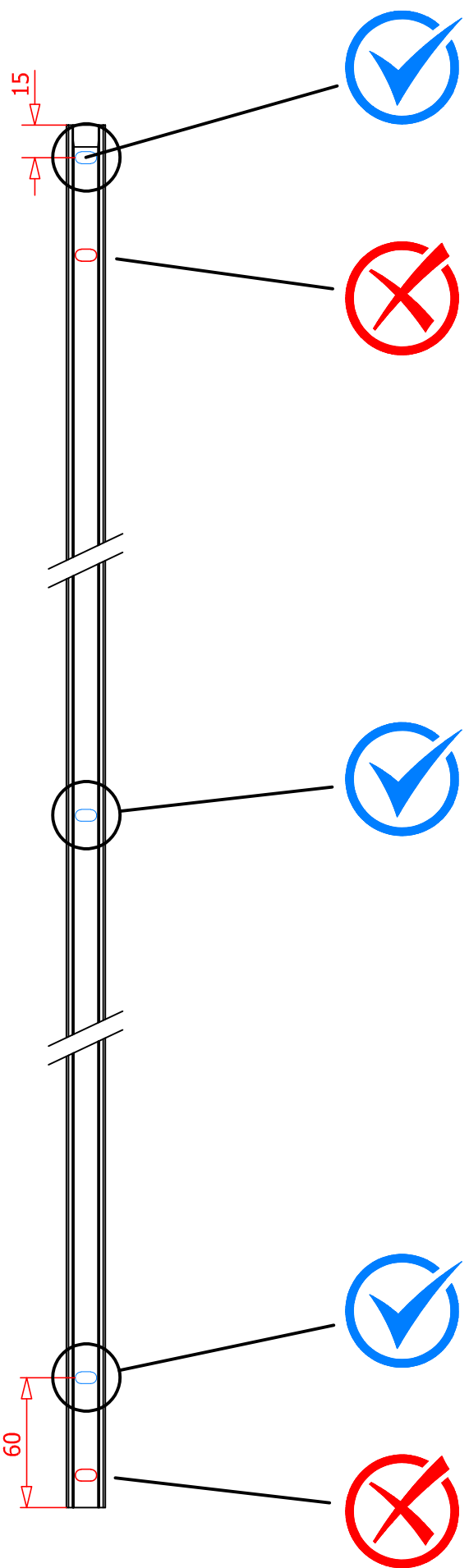
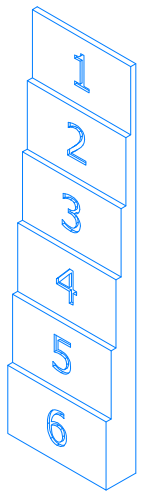
22.



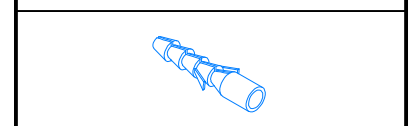
23.



?

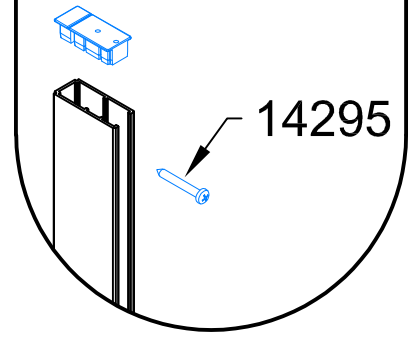


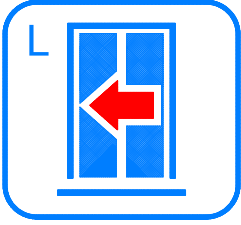
3X ϕ 6mm



3 x 16000

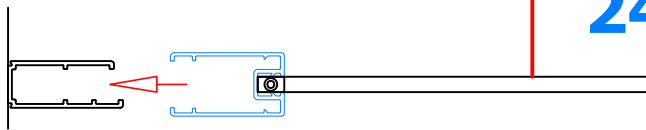
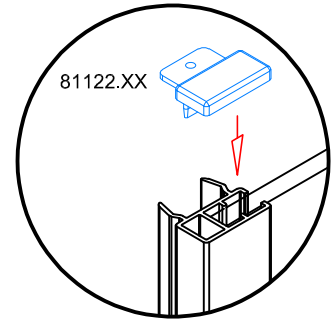
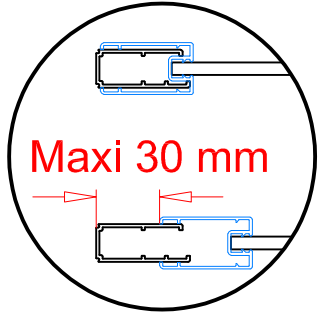
81125.XX



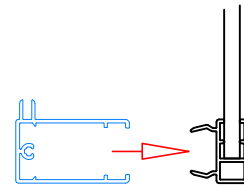


24.1 → 24.5

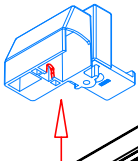
24.1



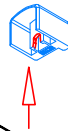
24.2



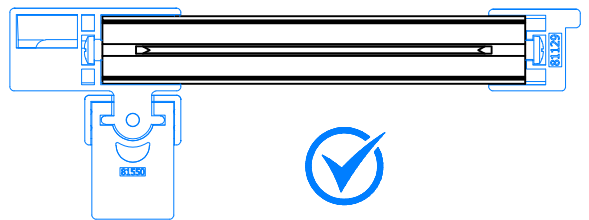
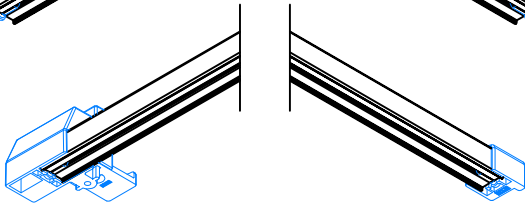
MT0441.XX



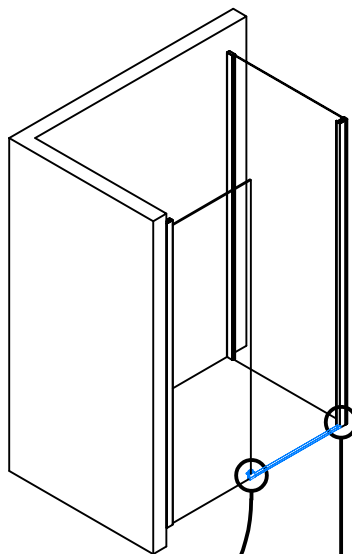
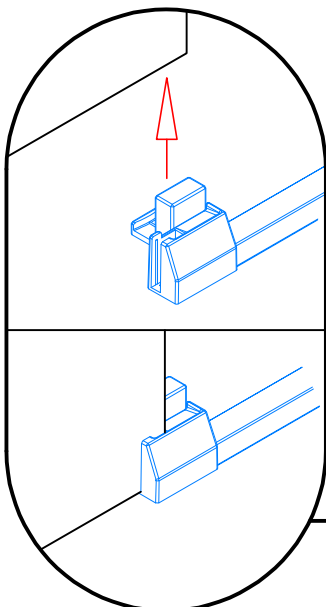
81129.XX



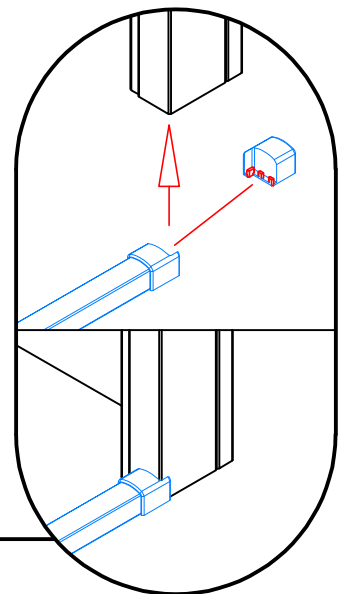
24.3



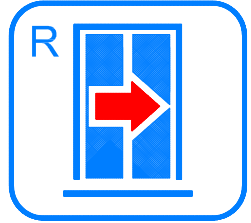
24.4



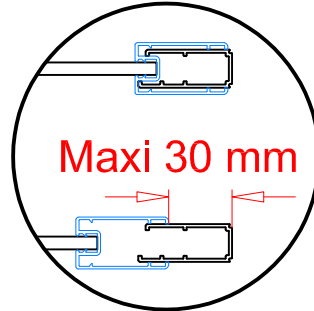
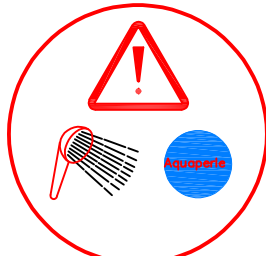
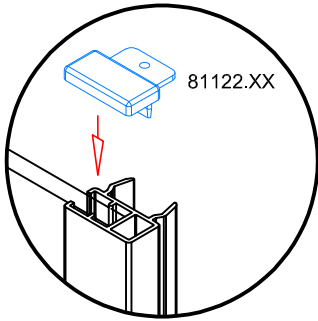
24.5



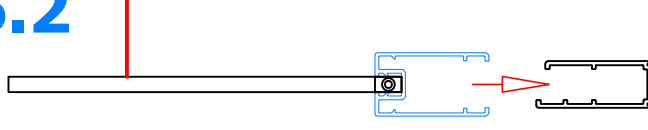
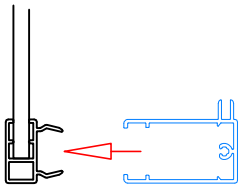
25.1 → 25.5



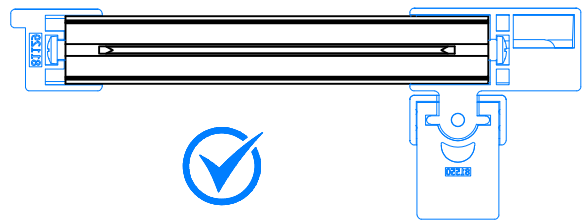
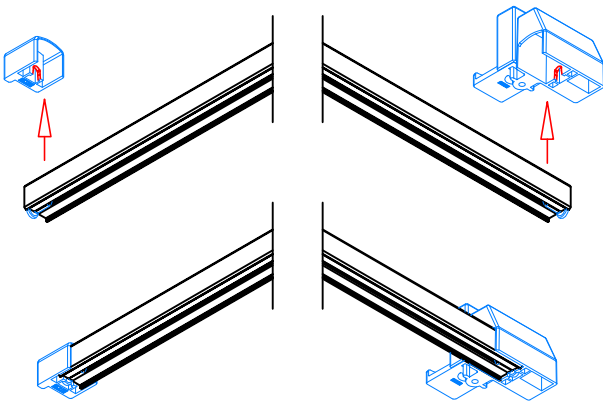
25.1



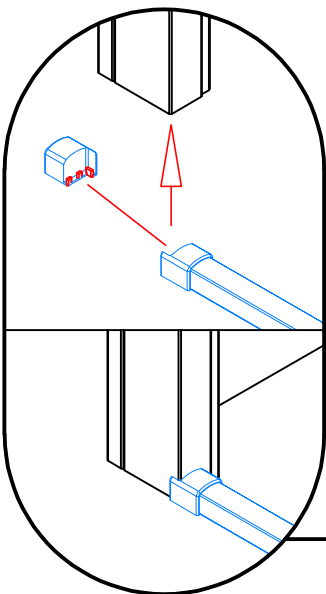
25.2



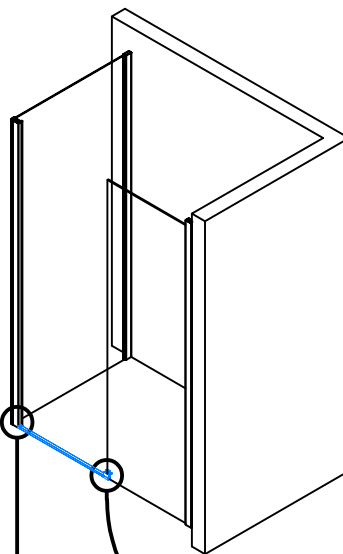
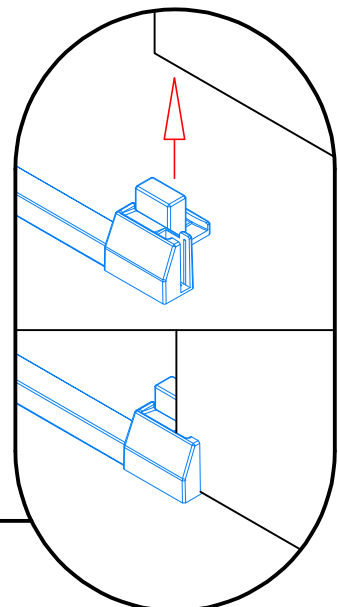
25.3



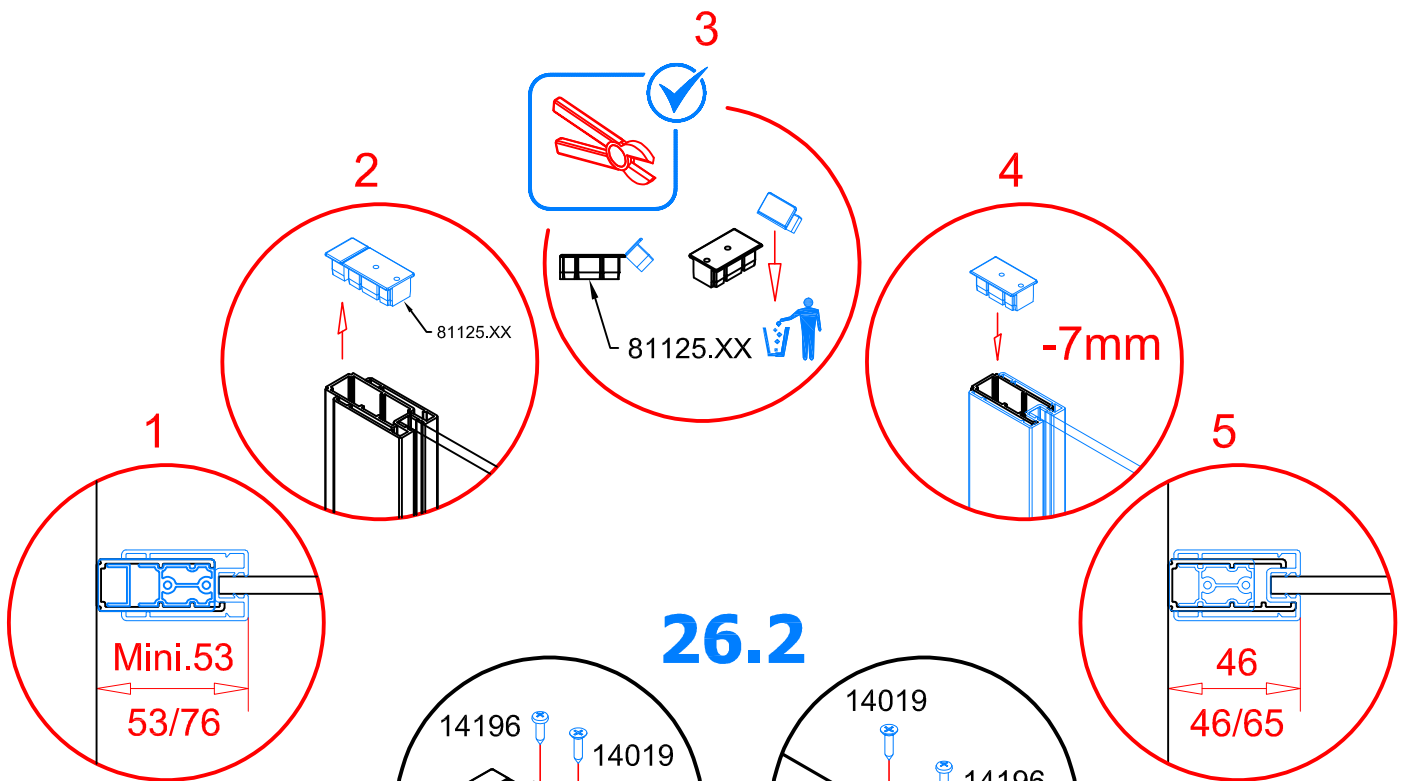
25.5



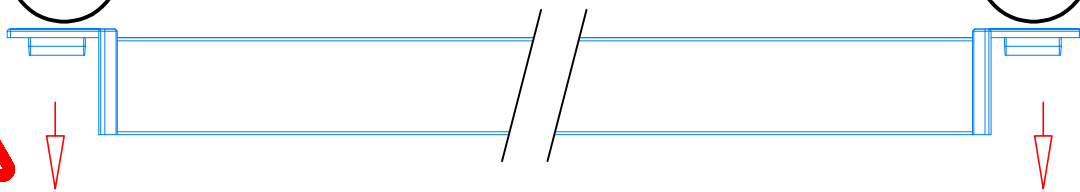
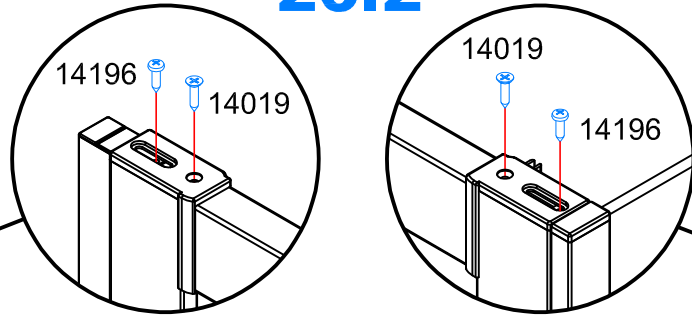
25.4



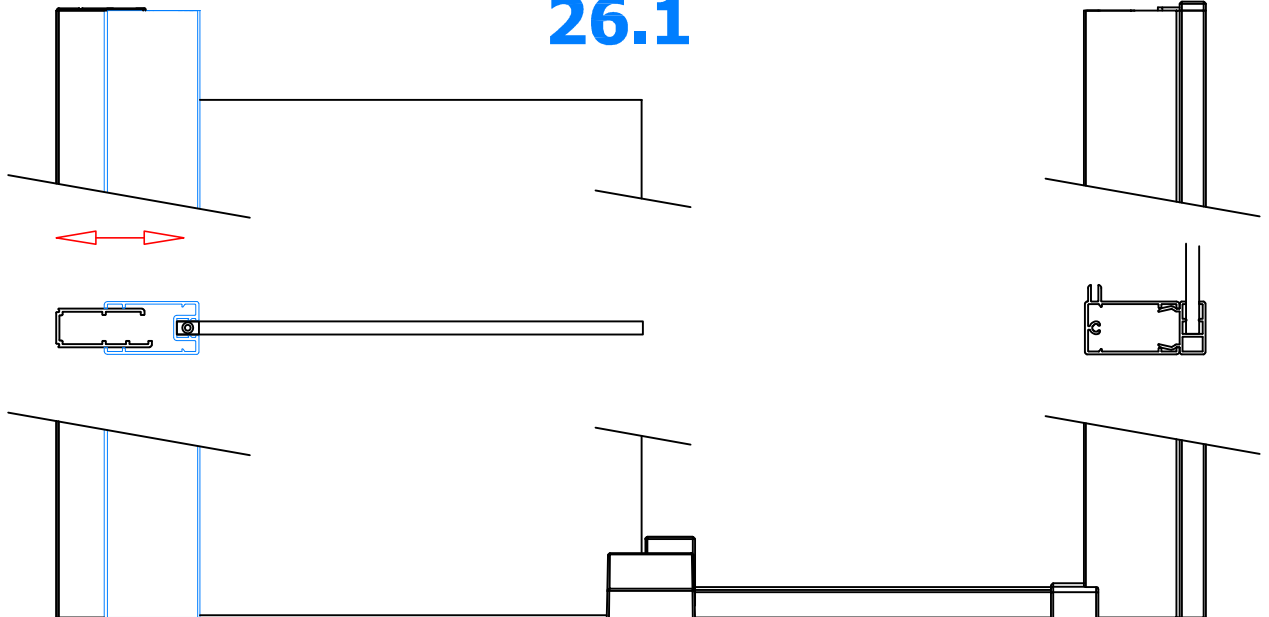
26.1 → 26.2



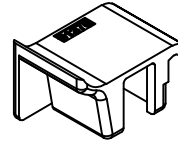
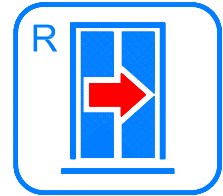
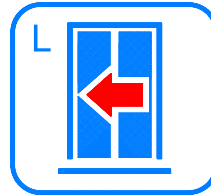
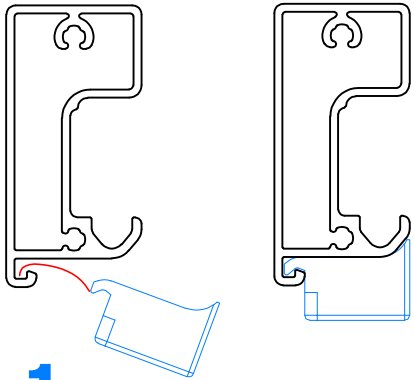
26.2



26.1

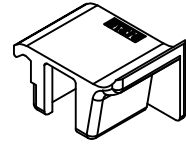


27.1 → 27.4



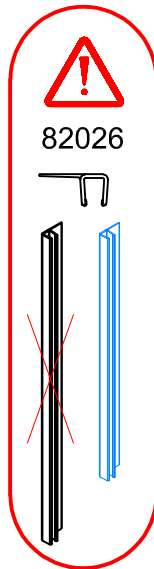
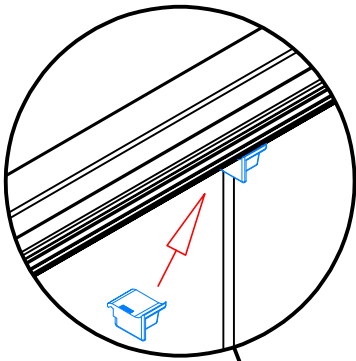
81376

?



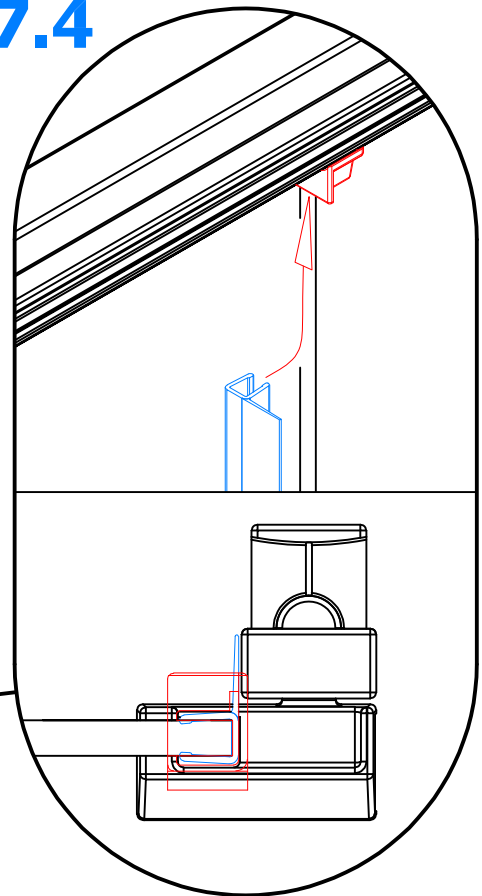
81377

27.1

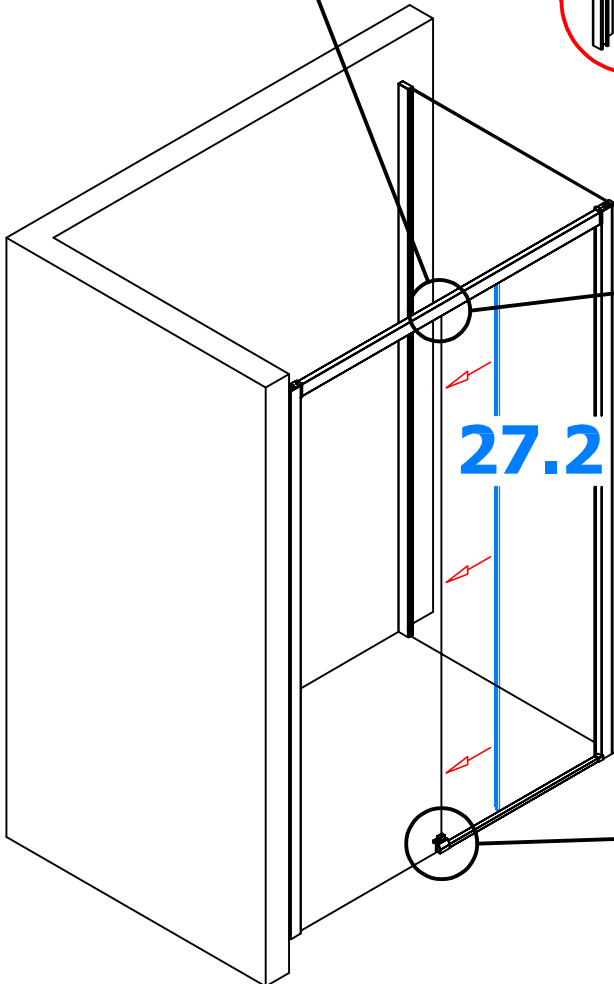


82026

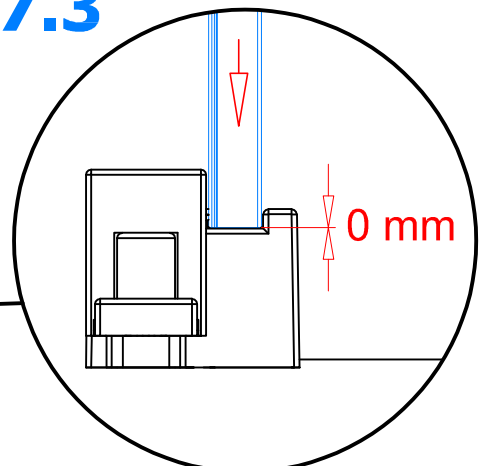
27.4



27.2



27.3



0 mm

2X

MT8004.XX

14190

81318

28.1

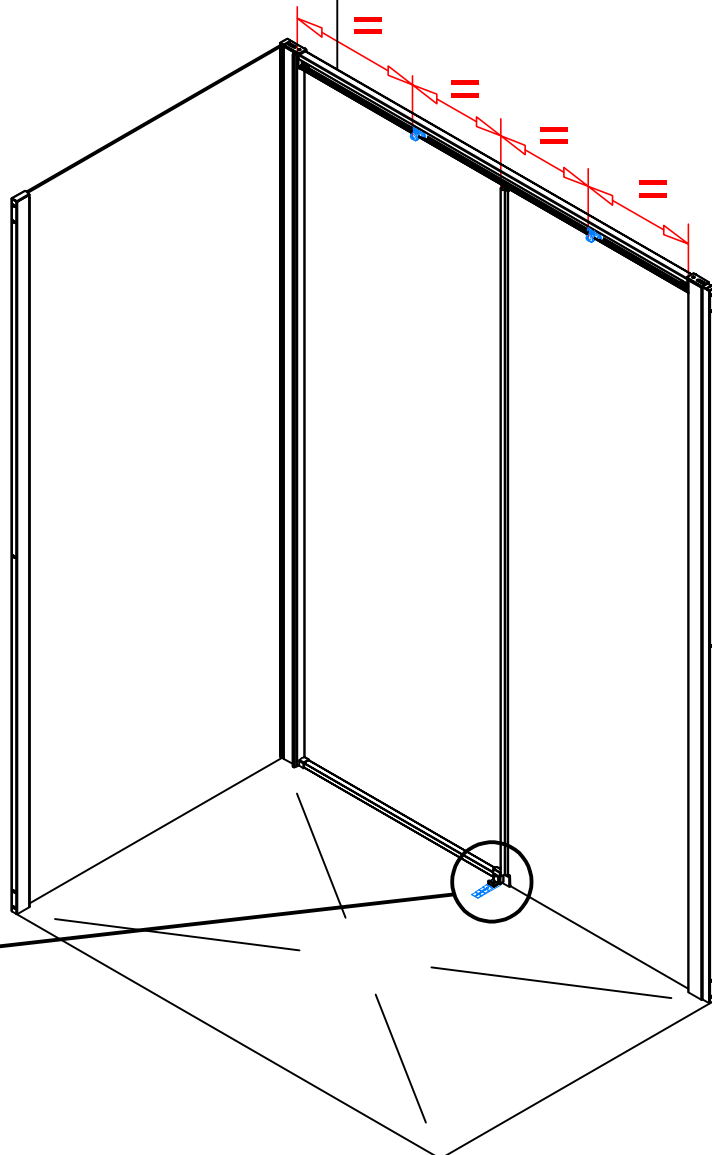
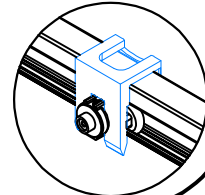
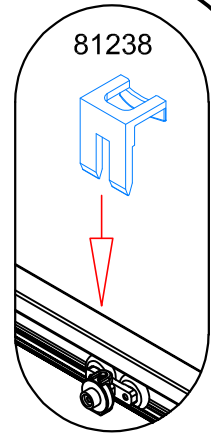
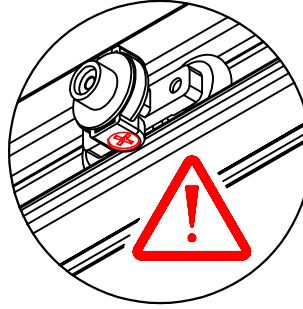
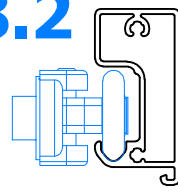
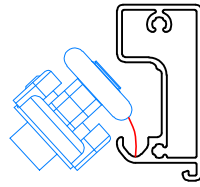
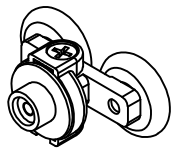
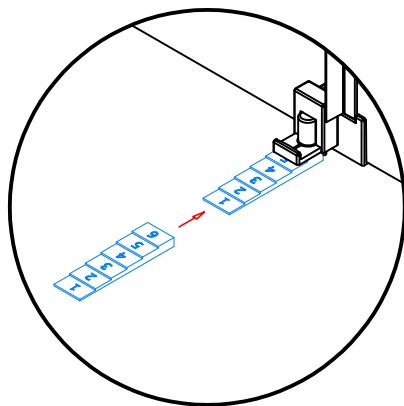
28.2

81238

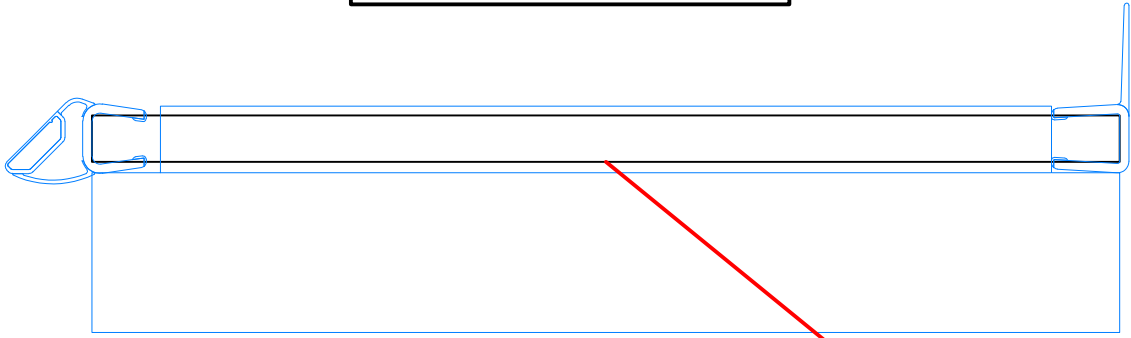
28.3

28.1 → 28.4

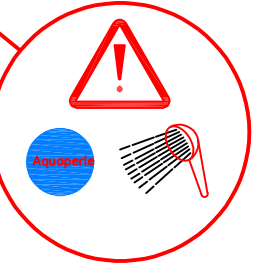
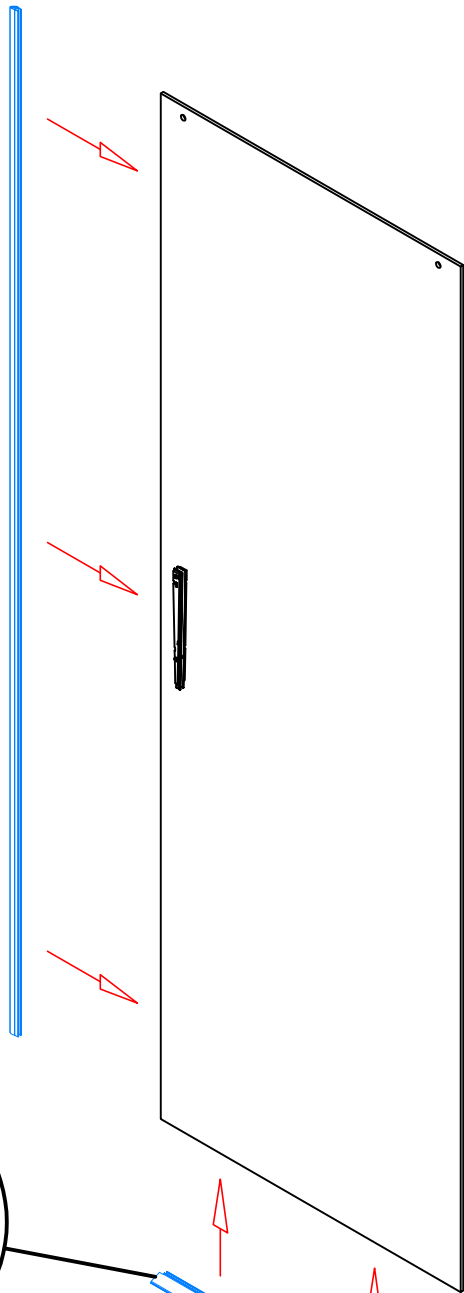
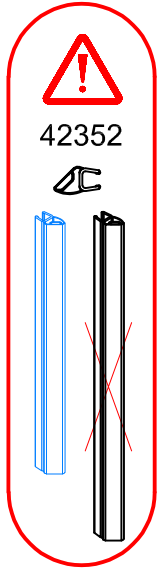
28.4



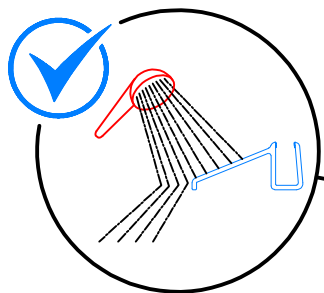
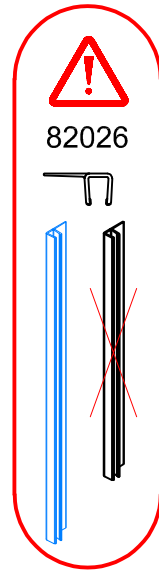
29.1 → 29.3



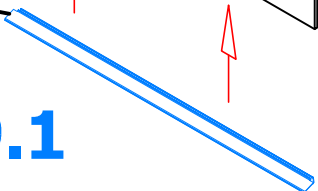
29.2



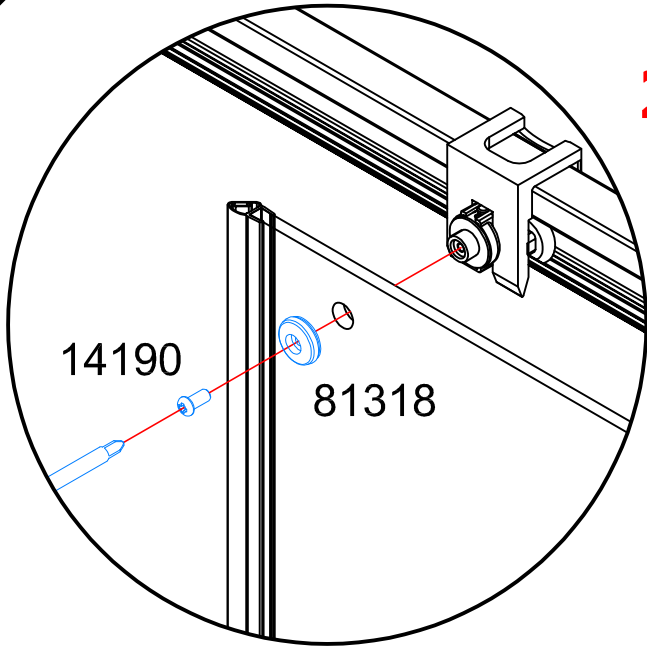
29.3



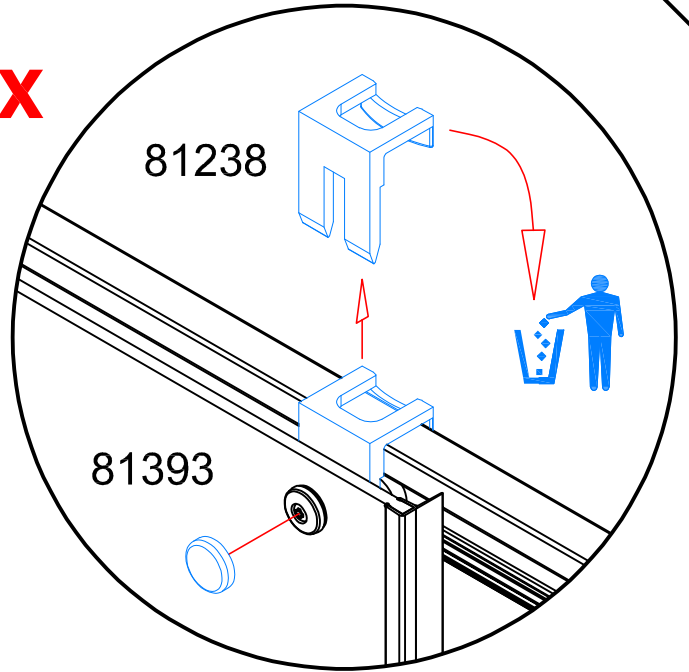
29.1



2X



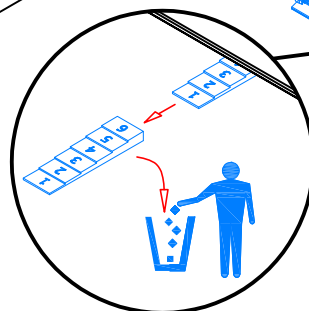
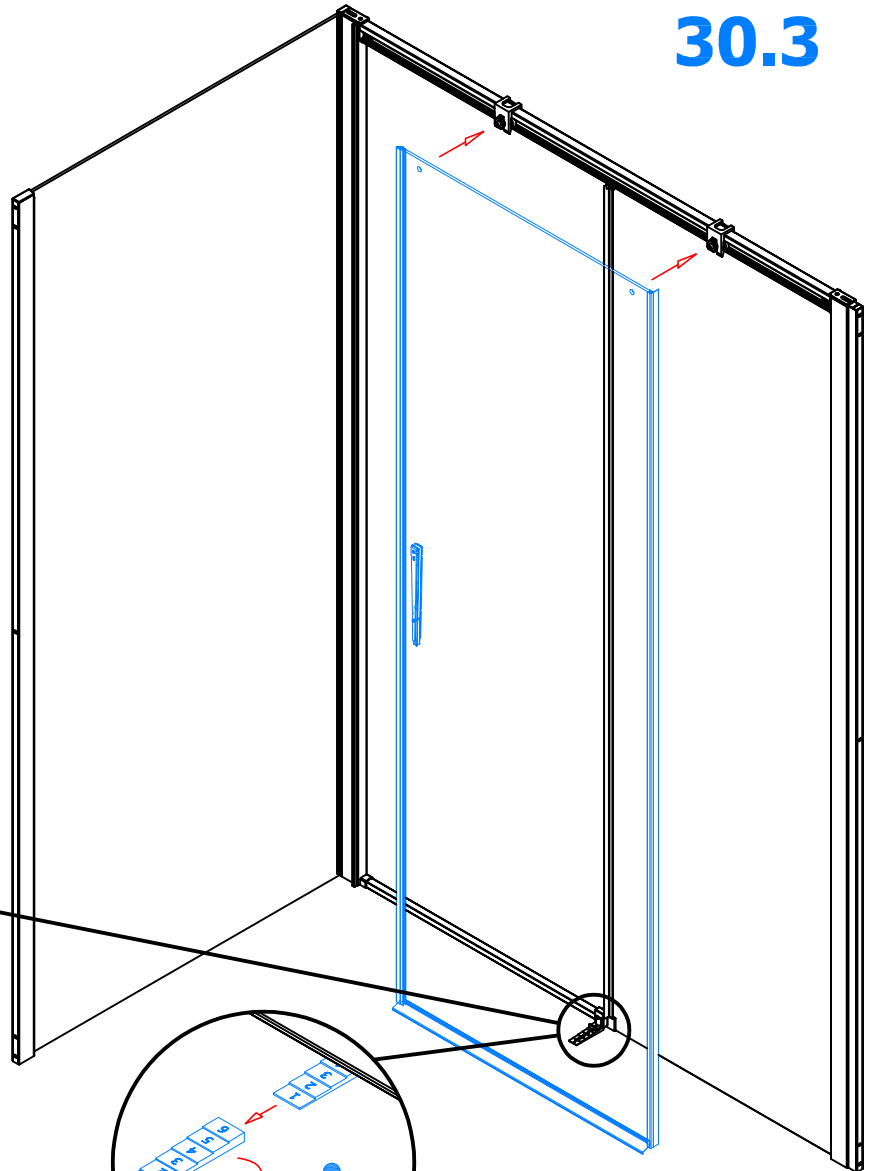
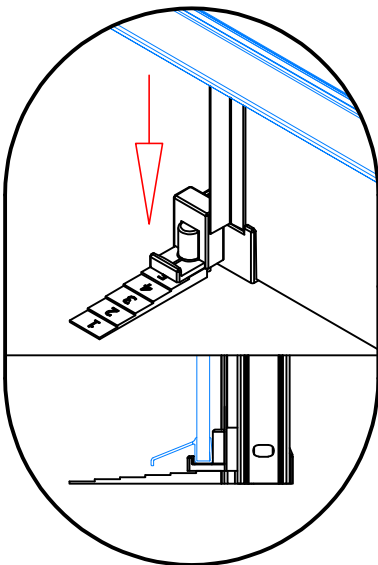
30.2



30.3

30.1 → 30.4

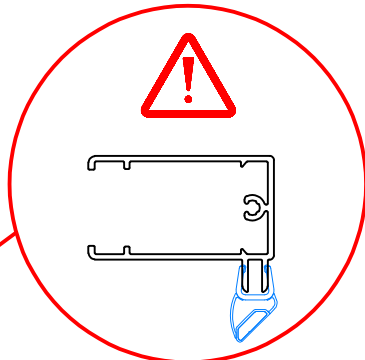
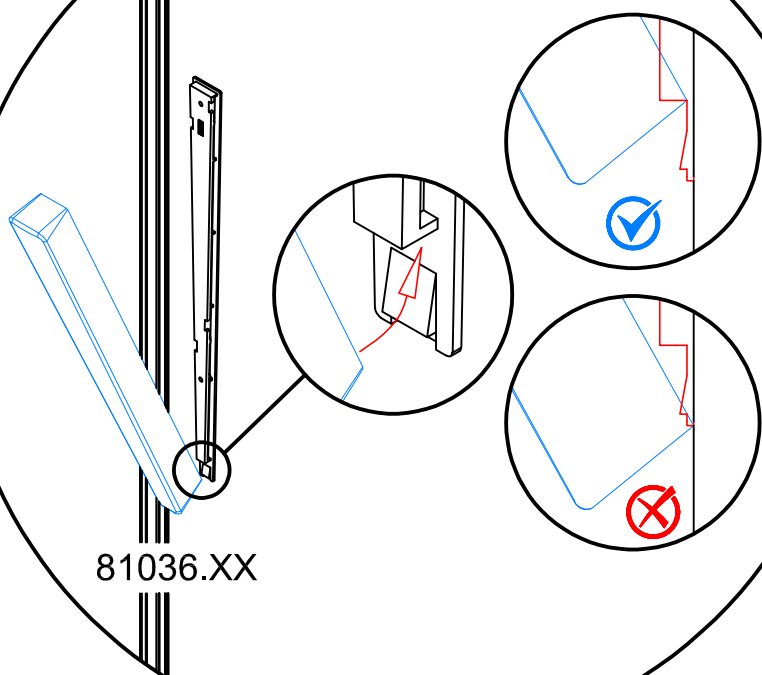
30.1



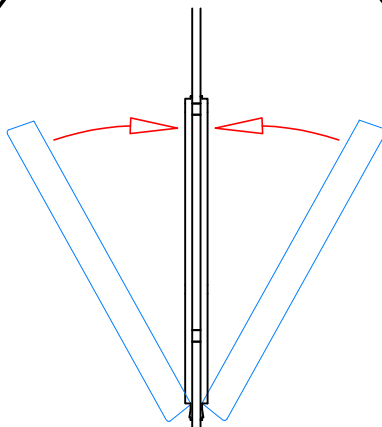
30.4

31.1 → 31.4

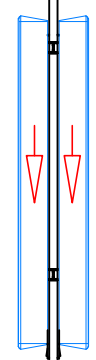
31.1



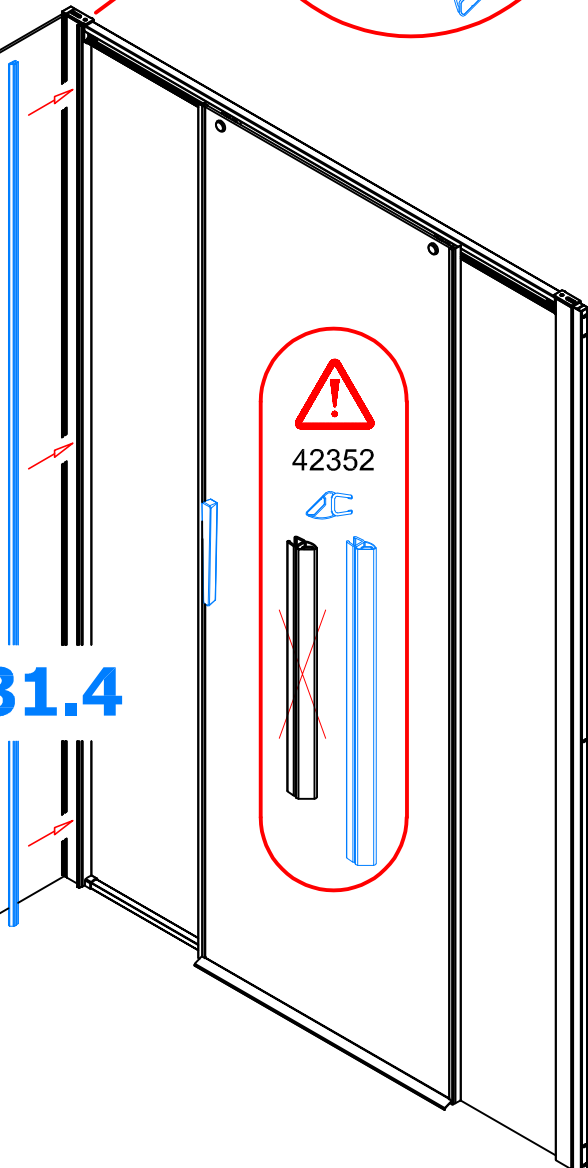
31.2



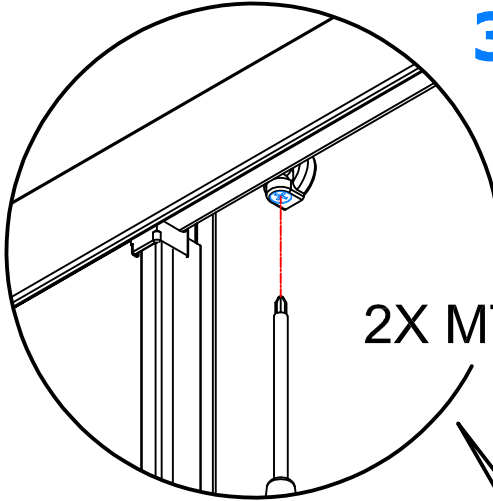
31.3



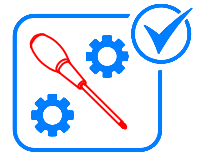
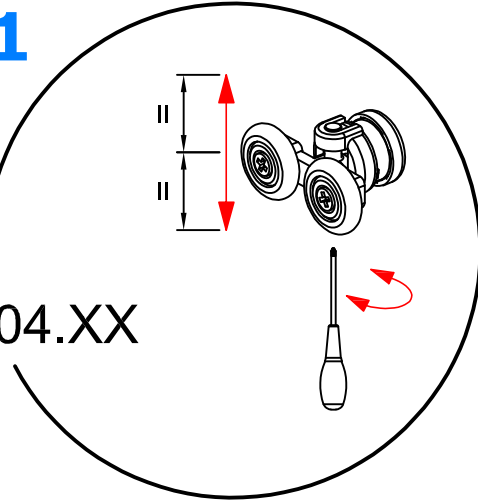
31.4



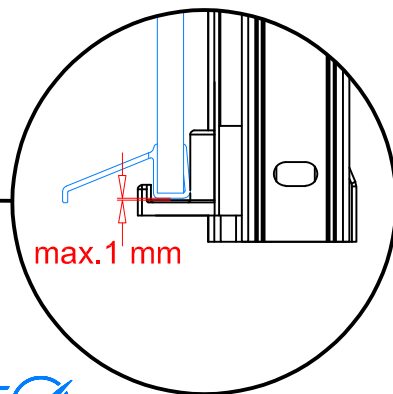
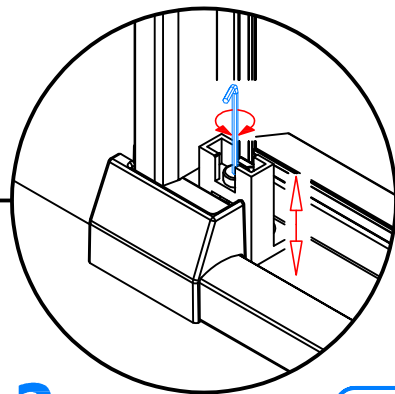
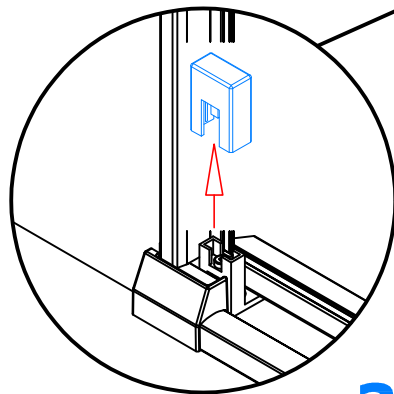
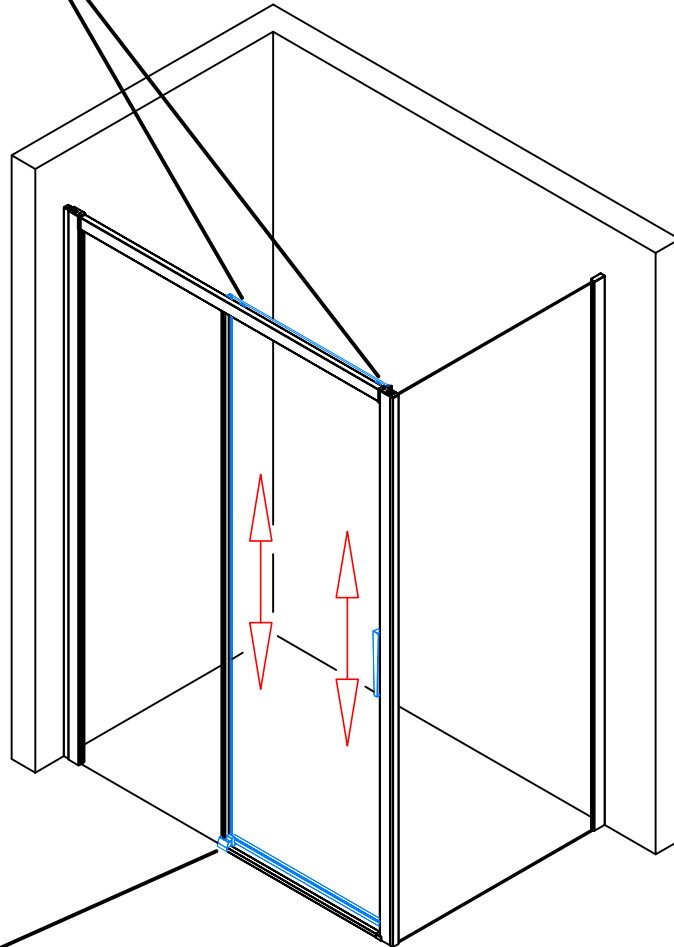
32.1



2X MT8004.XX



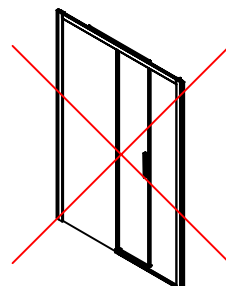
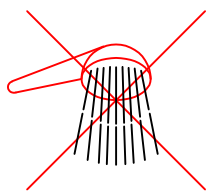
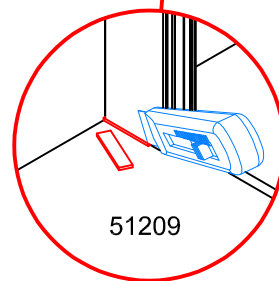
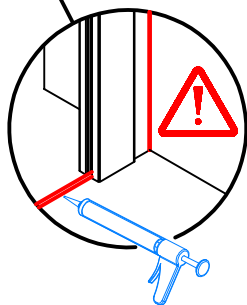
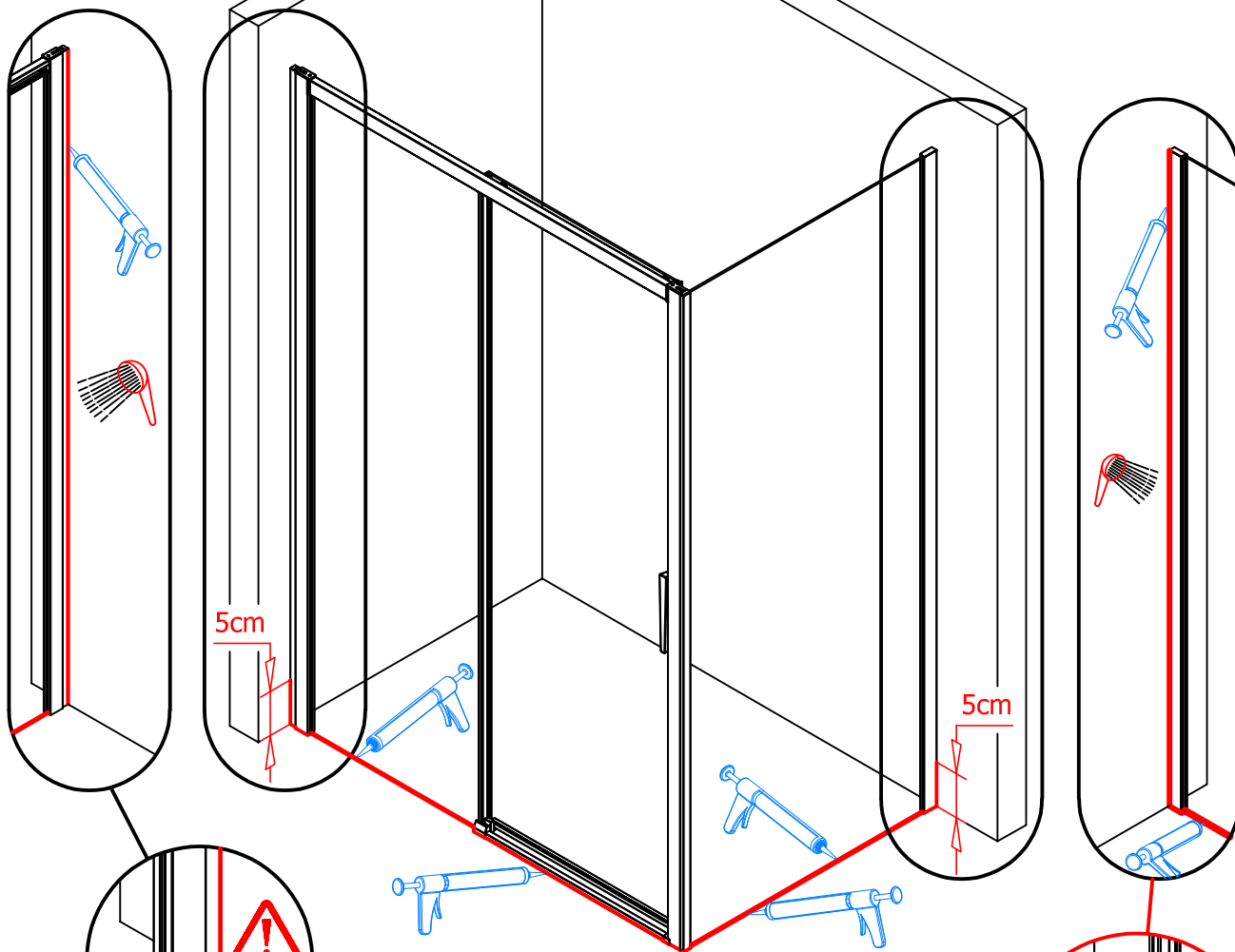
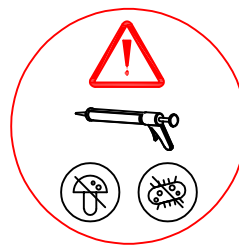
32.1 → 32.2



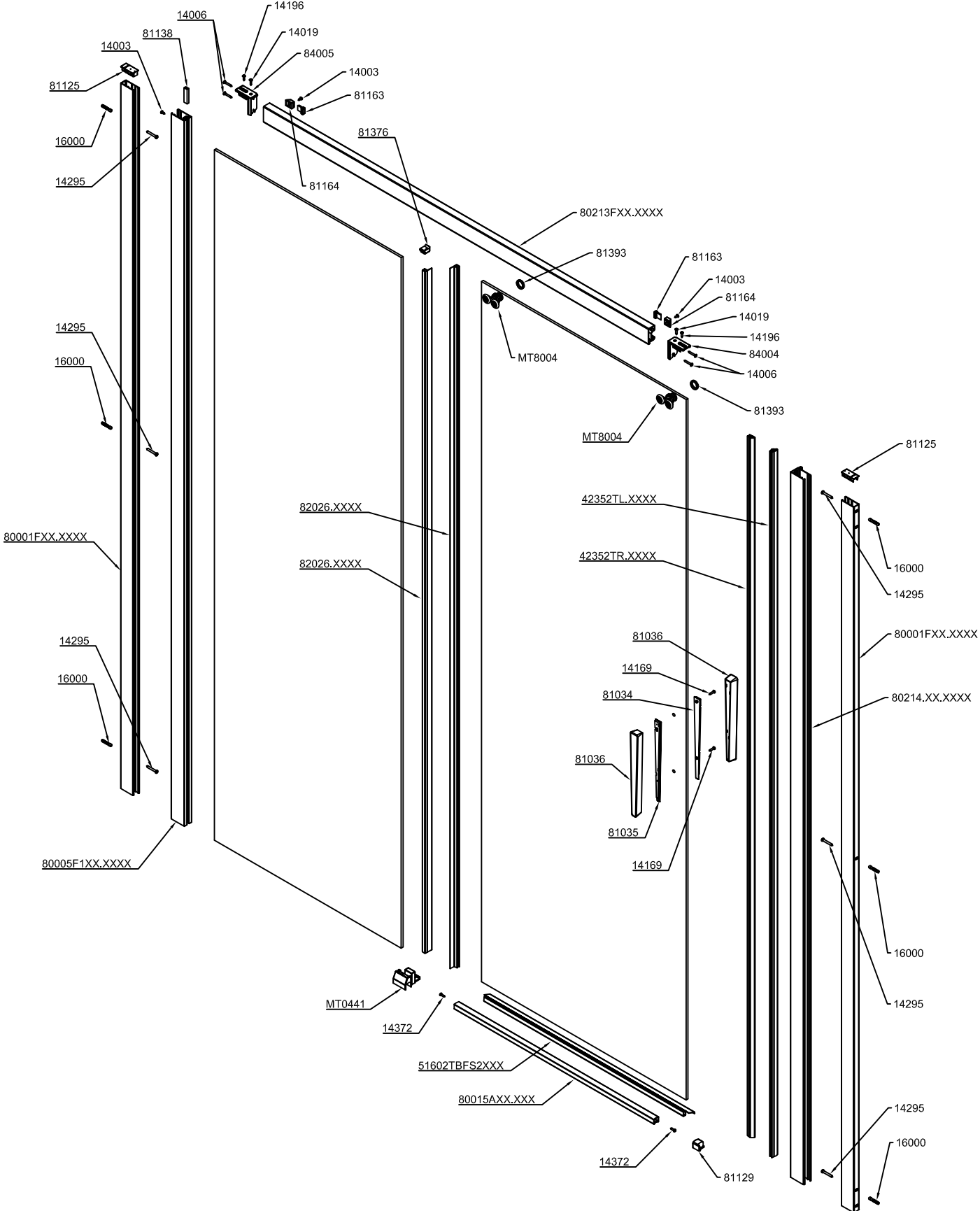
32.2



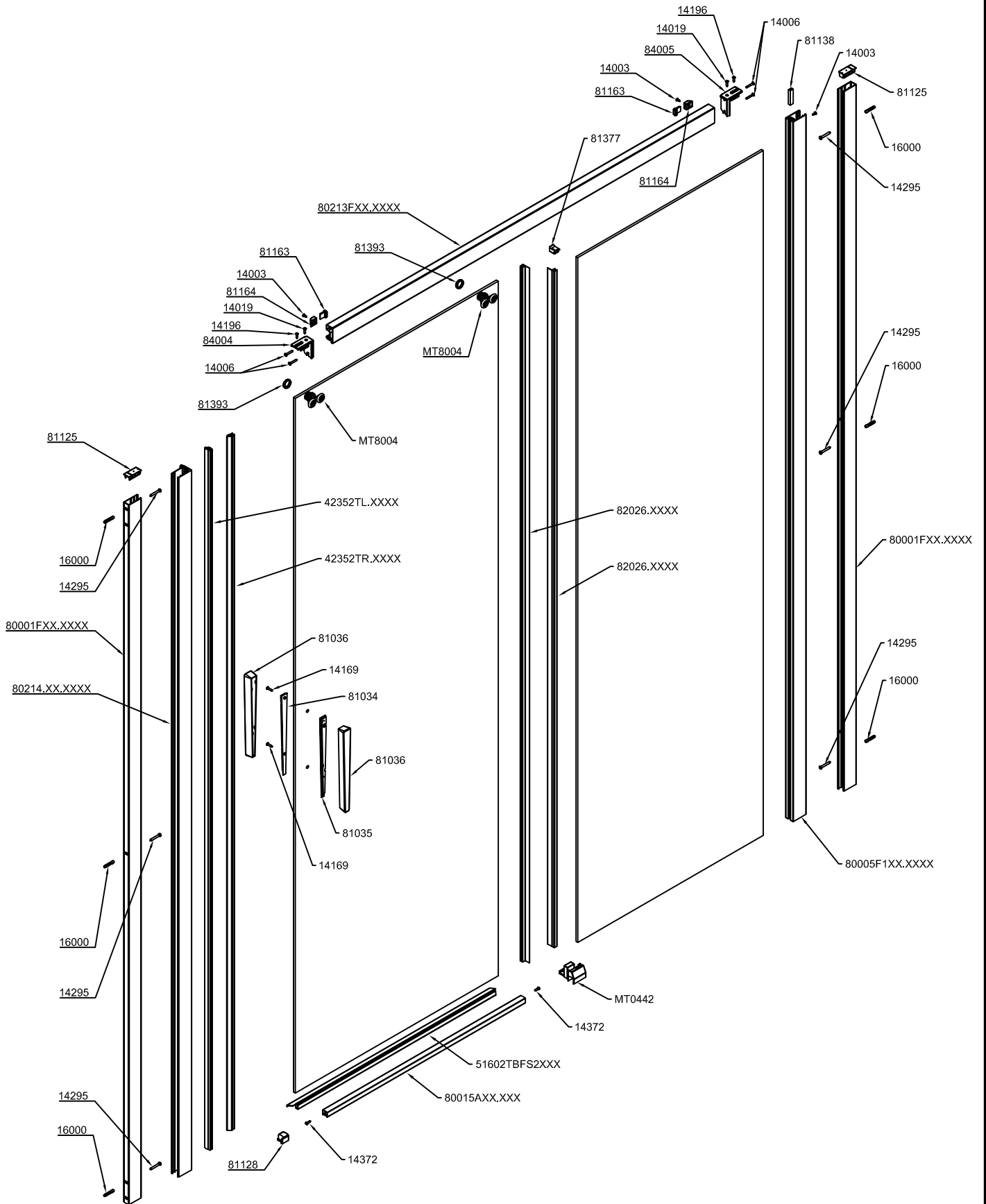
33.



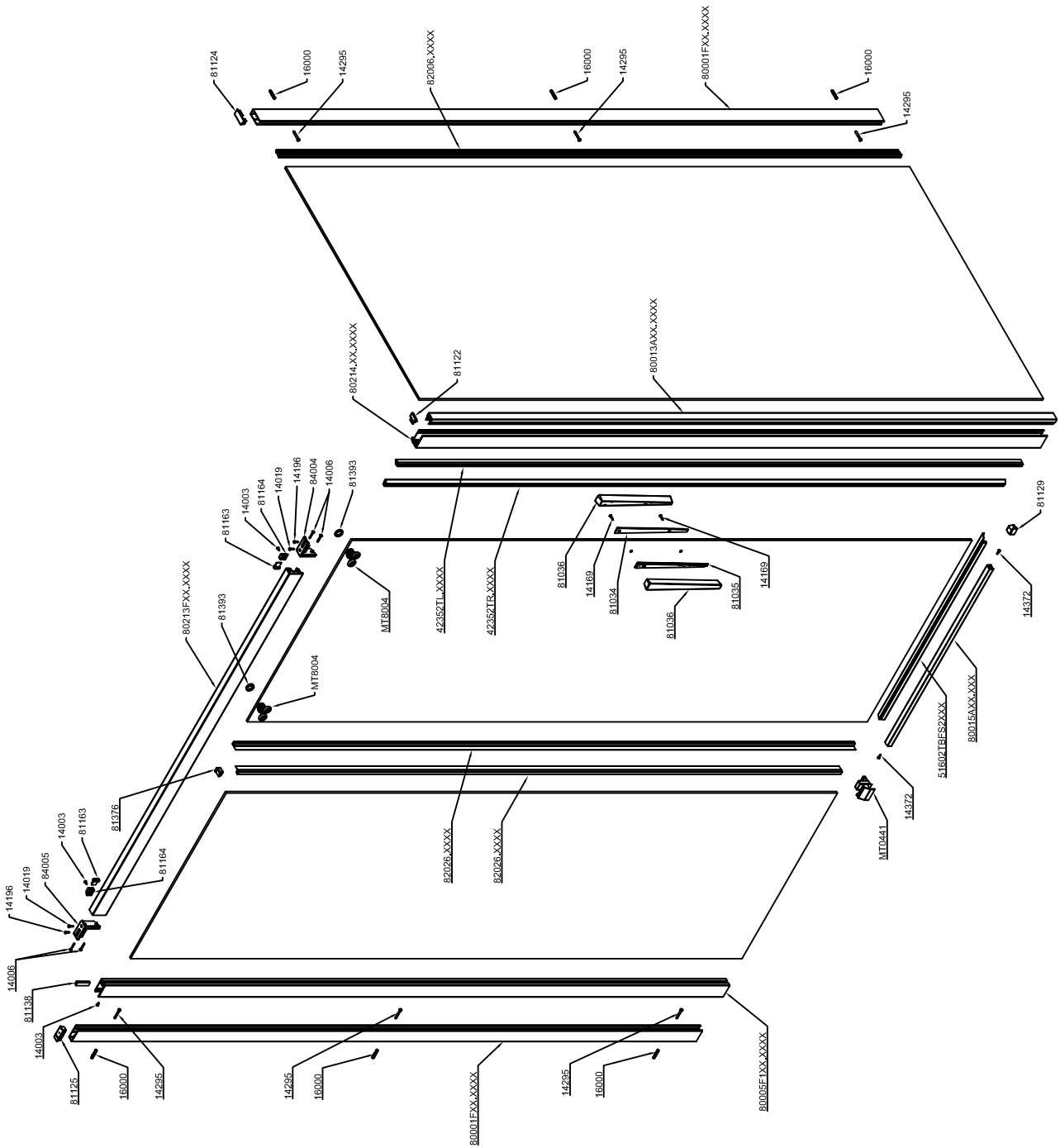
D22S2BL



D22S2BR



D22S2BL D22F1



D22S2BR D22F1

