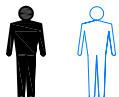
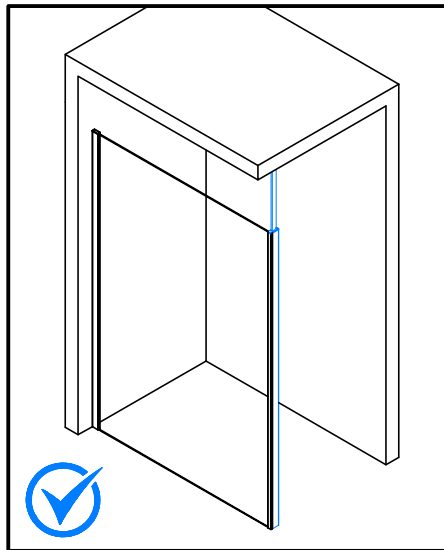


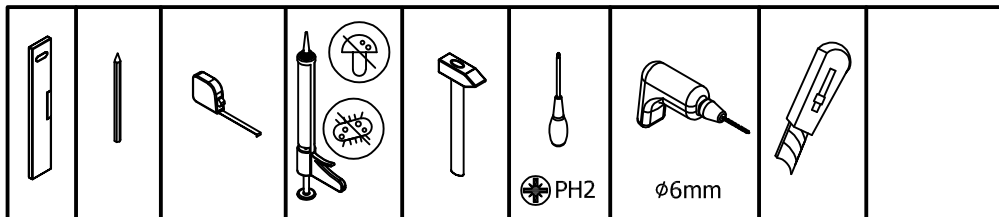
19796



D22BTK1V



1x



80001FXX.XXXX

80003AXX.XXXX

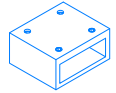
50314E2XX.XXXX



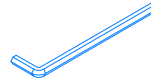
1 x 11221



4 x 14295
4.2X32mm



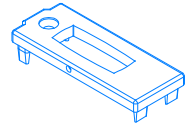
MT0332.XX



2mm - 17158



4 x 16000
Ø 6mm



MT0451.XX



1.5mm - 17157

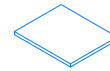


1 x 14019

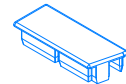
1X
82006.XXXX



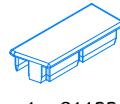
1 x 81122.XX



51209



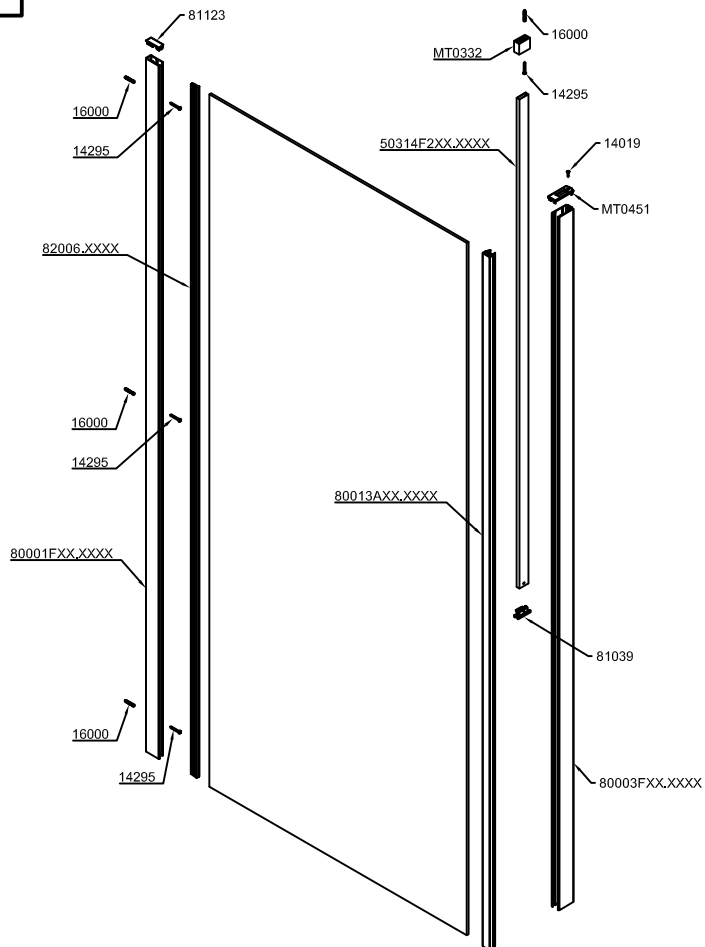
1 x 81124.XX



1 x 81123.XX

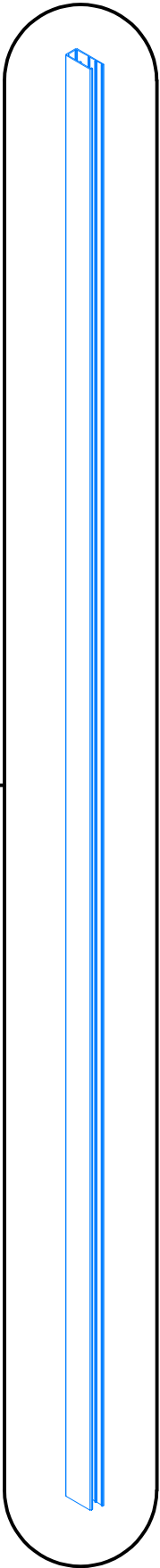
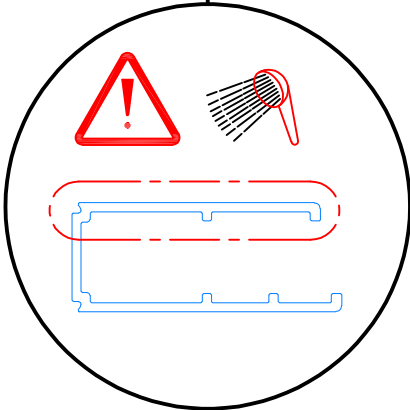
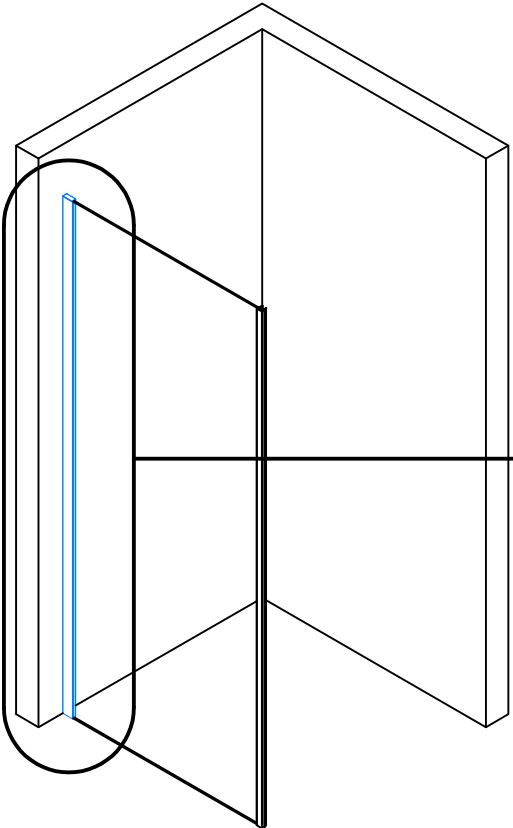
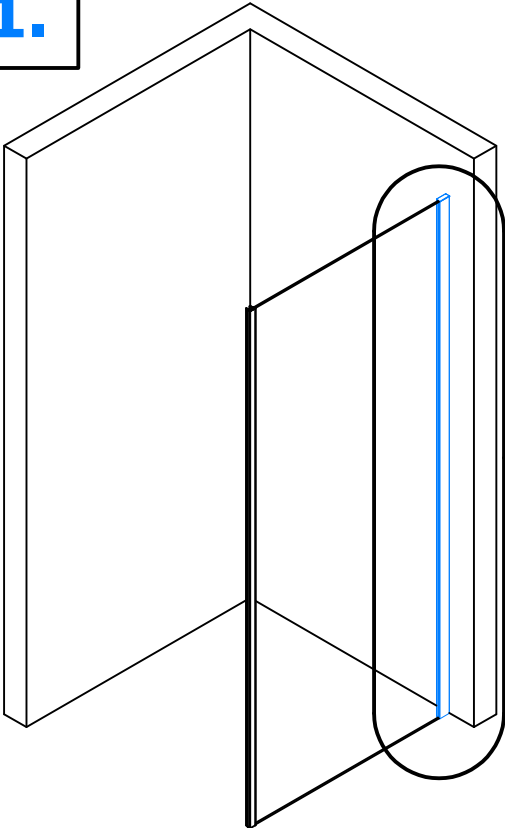


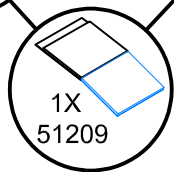
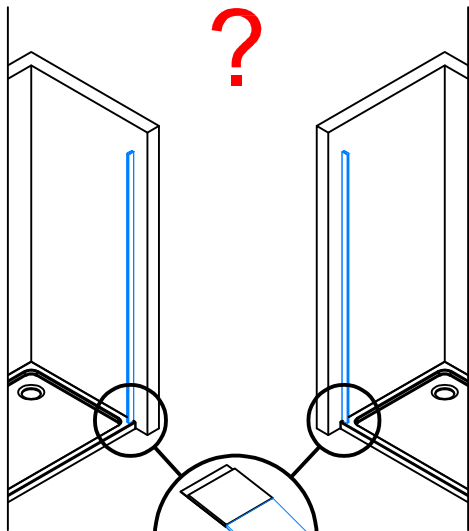
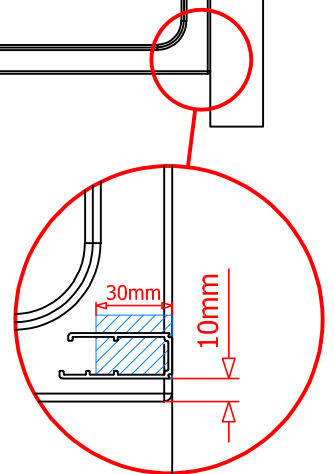
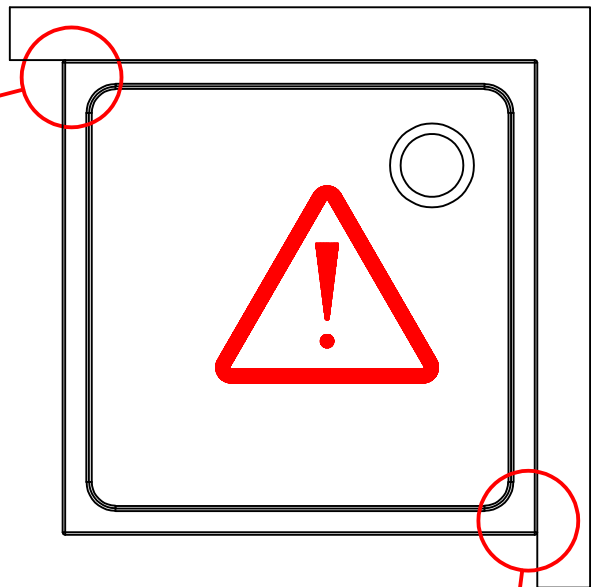
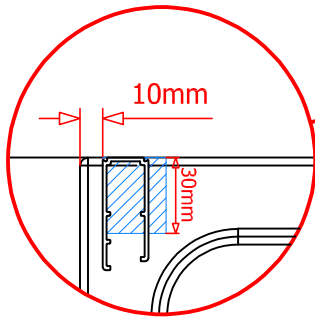
81169



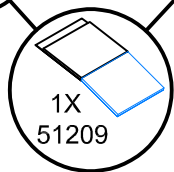
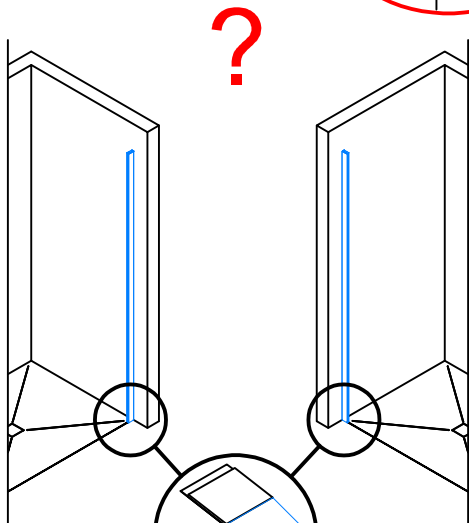
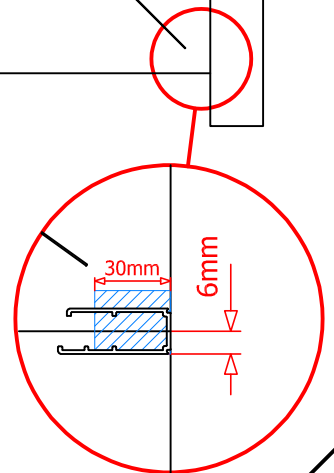
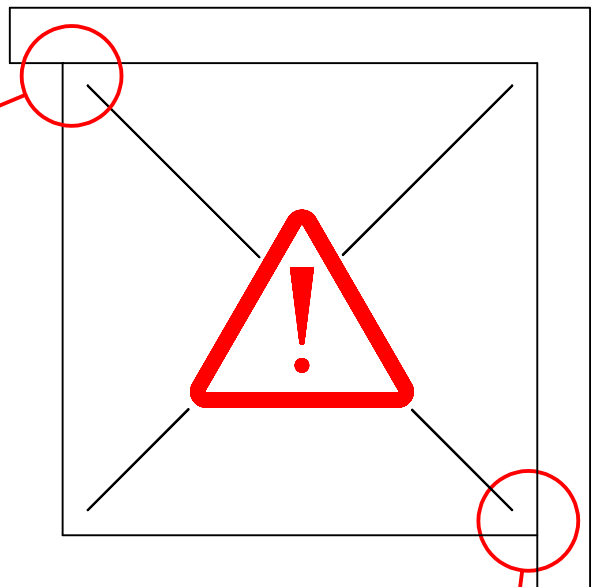
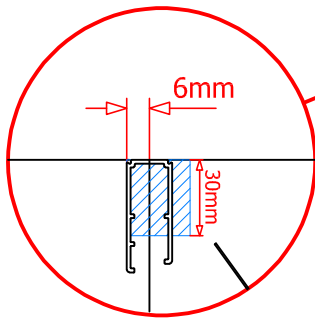
1.

80001FXX.XXXX

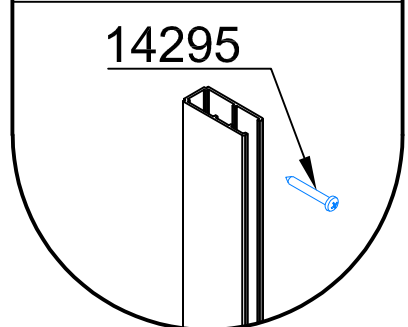
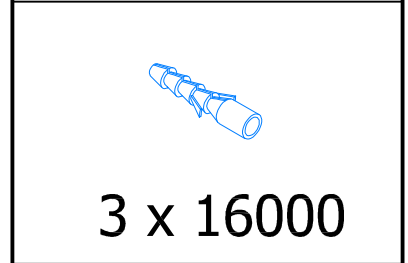
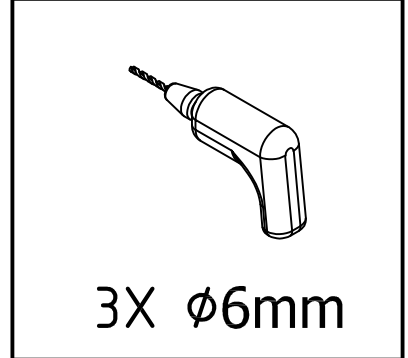
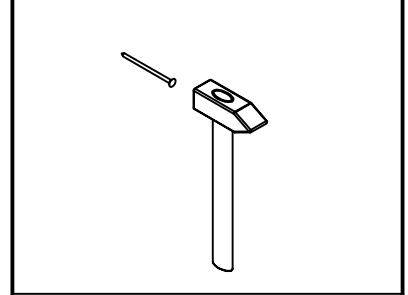
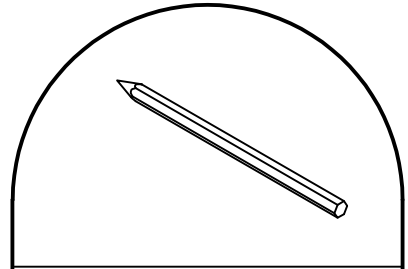
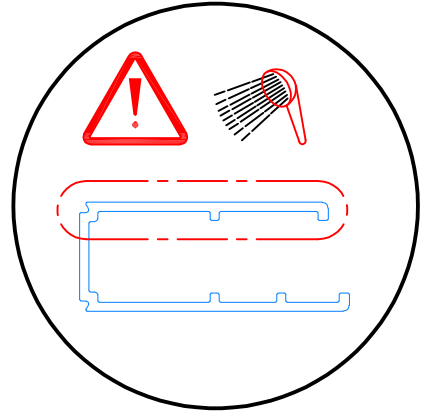
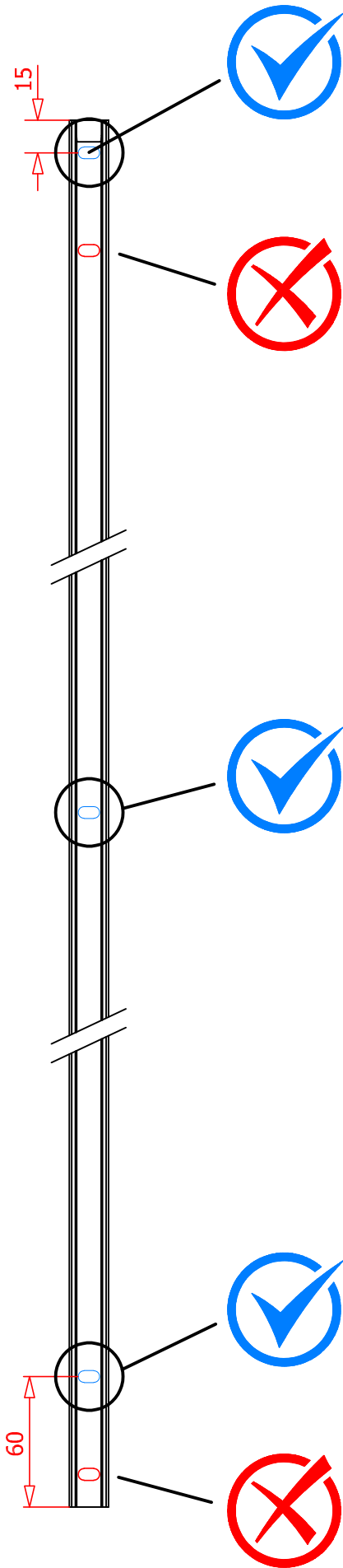
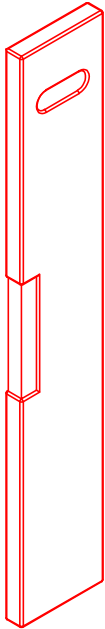


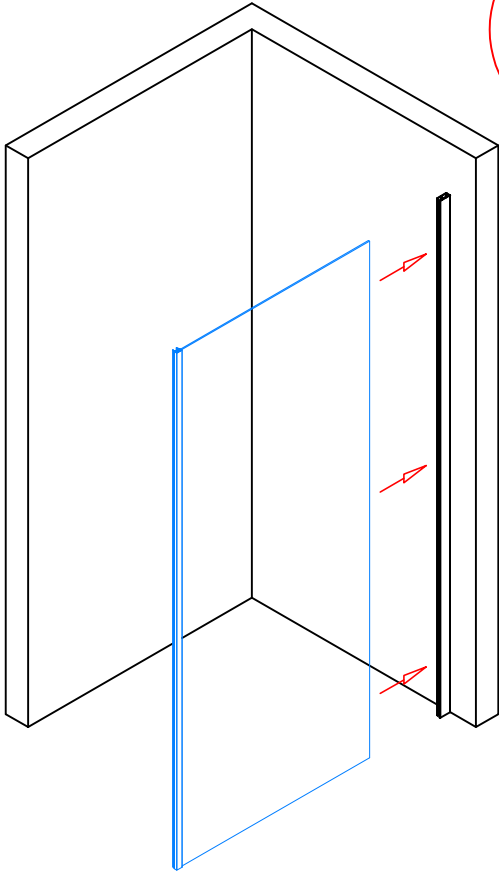


2.

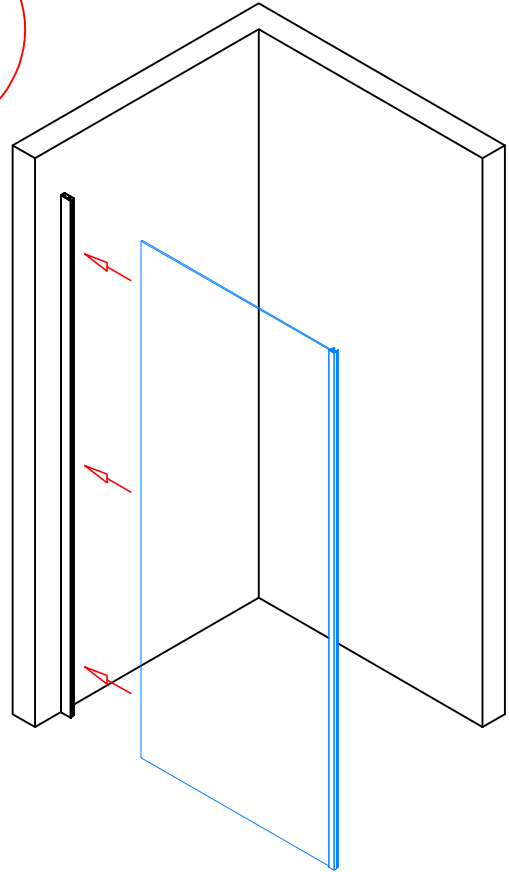


3.

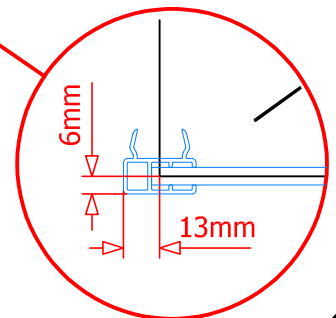
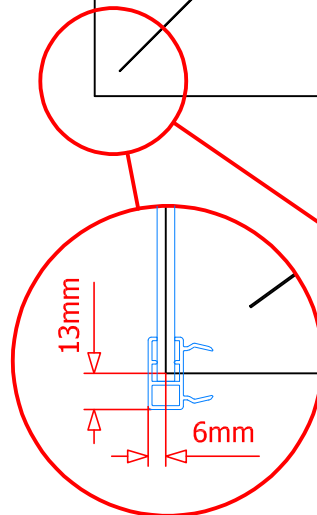
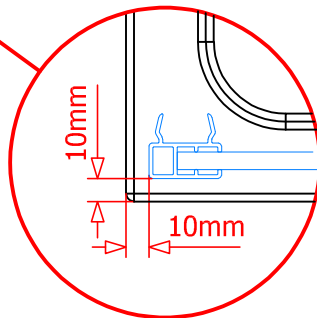
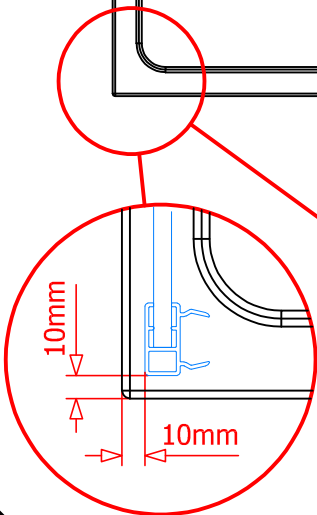
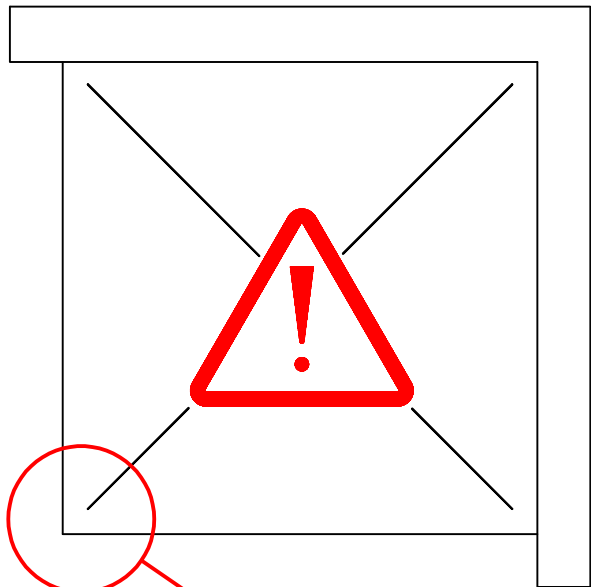
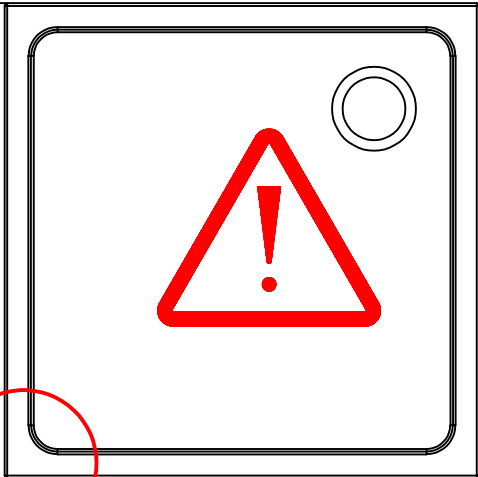




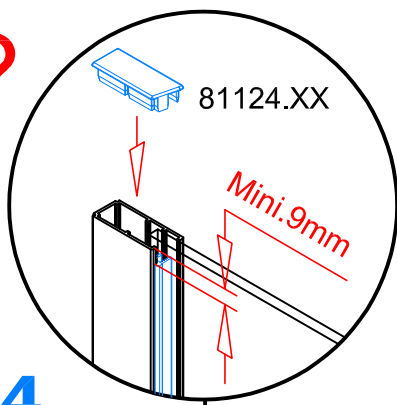
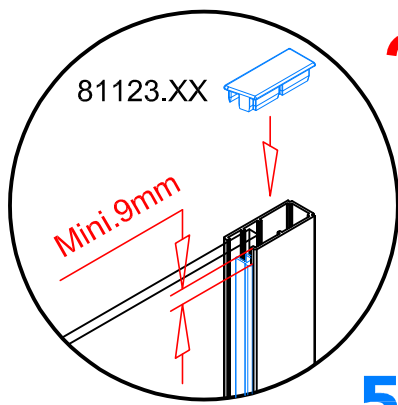
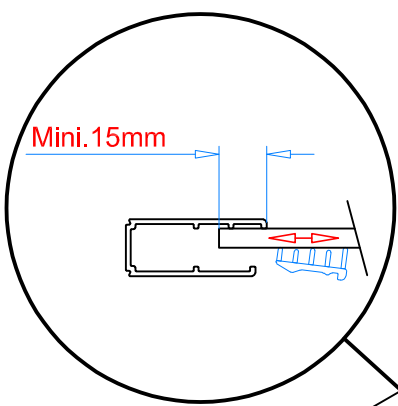
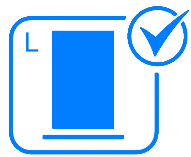
?



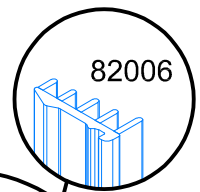
4.



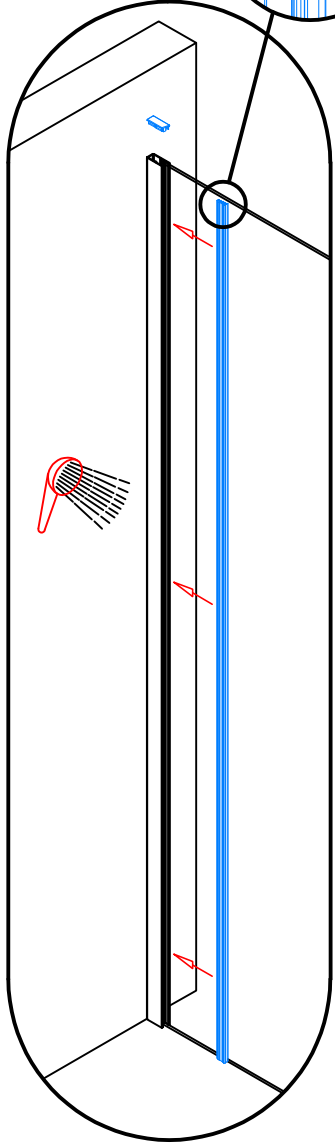
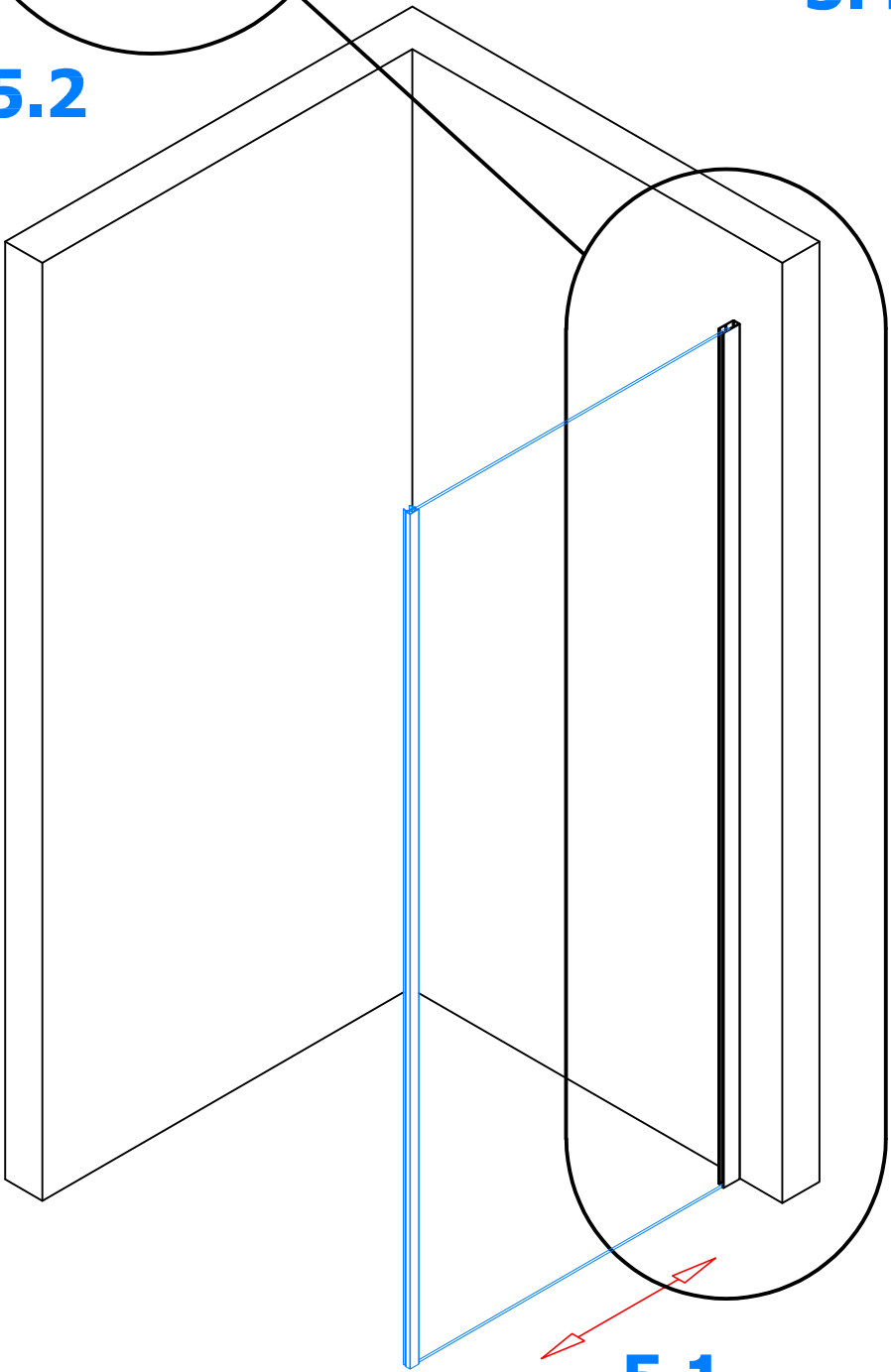
5.1 → 5.4



5.4



5.2

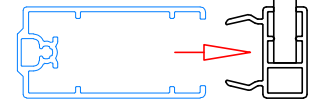


5.1

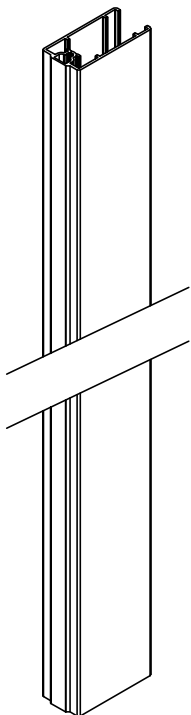
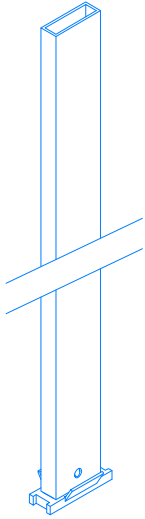
5.3

6.1 → 6.4

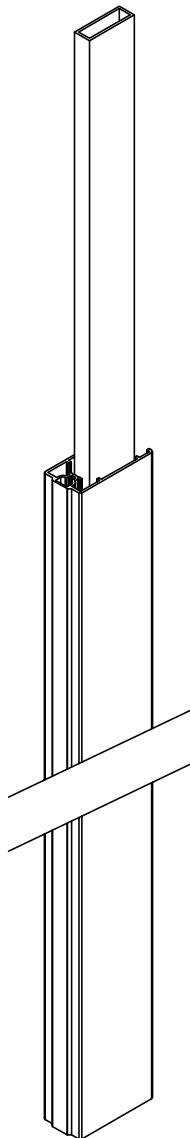
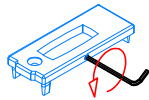
80003AXX.XXXX



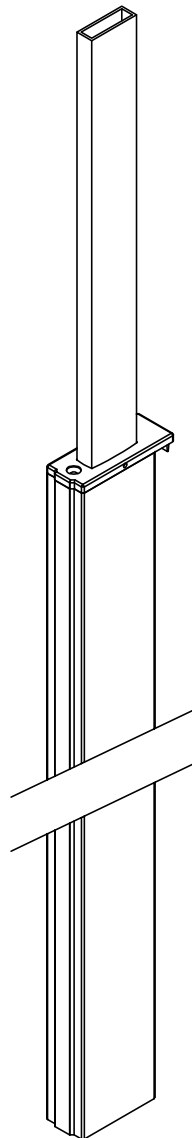
6.1



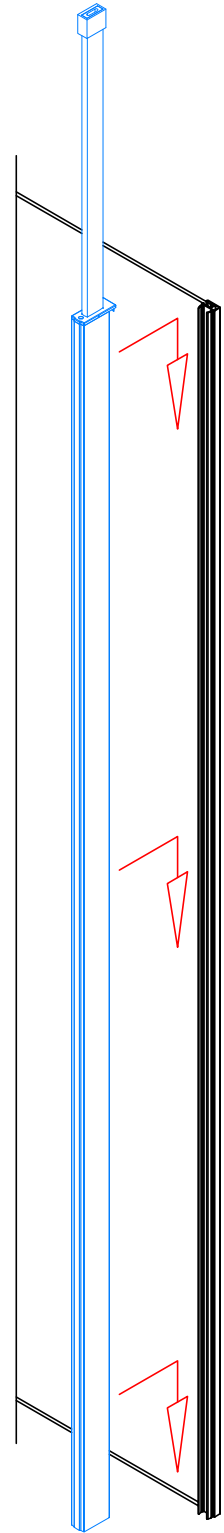
6.2



6.3

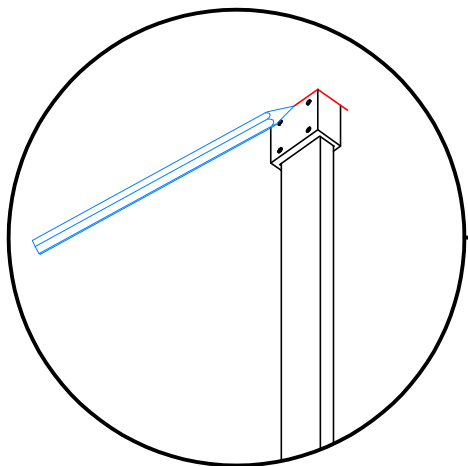


6.4

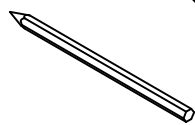


7.1 → 7.5

7.2



7.3



1X $\phi 6\text{mm}$

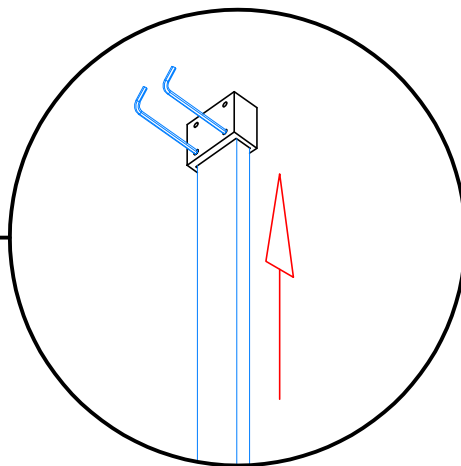
16000



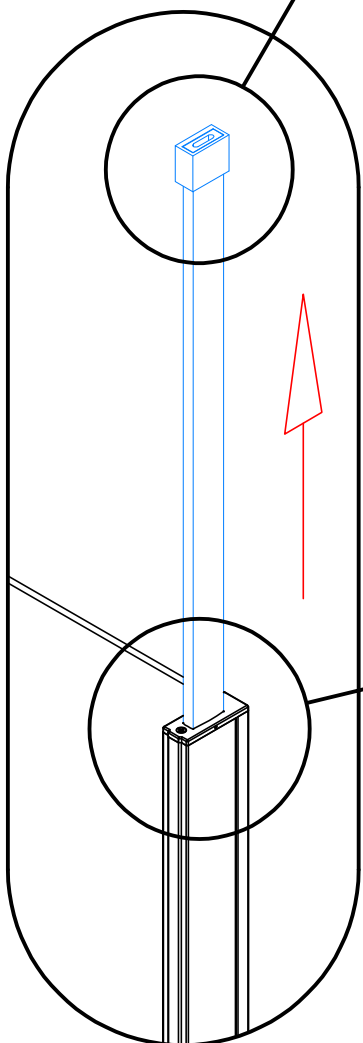
14295



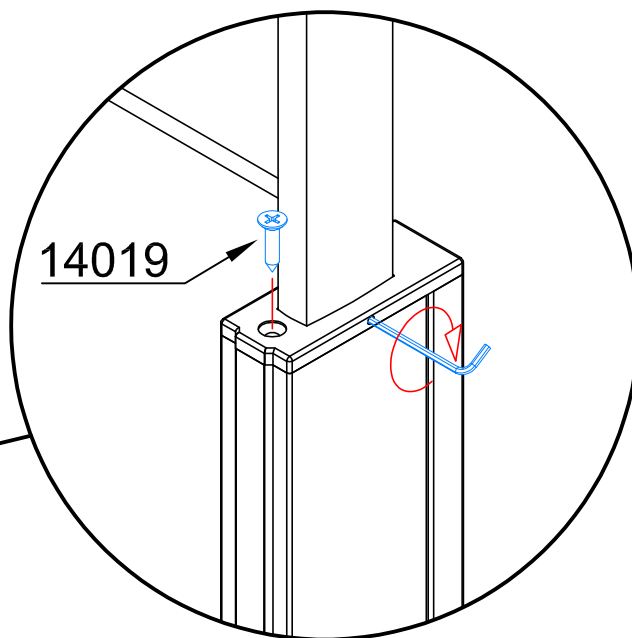
7.4



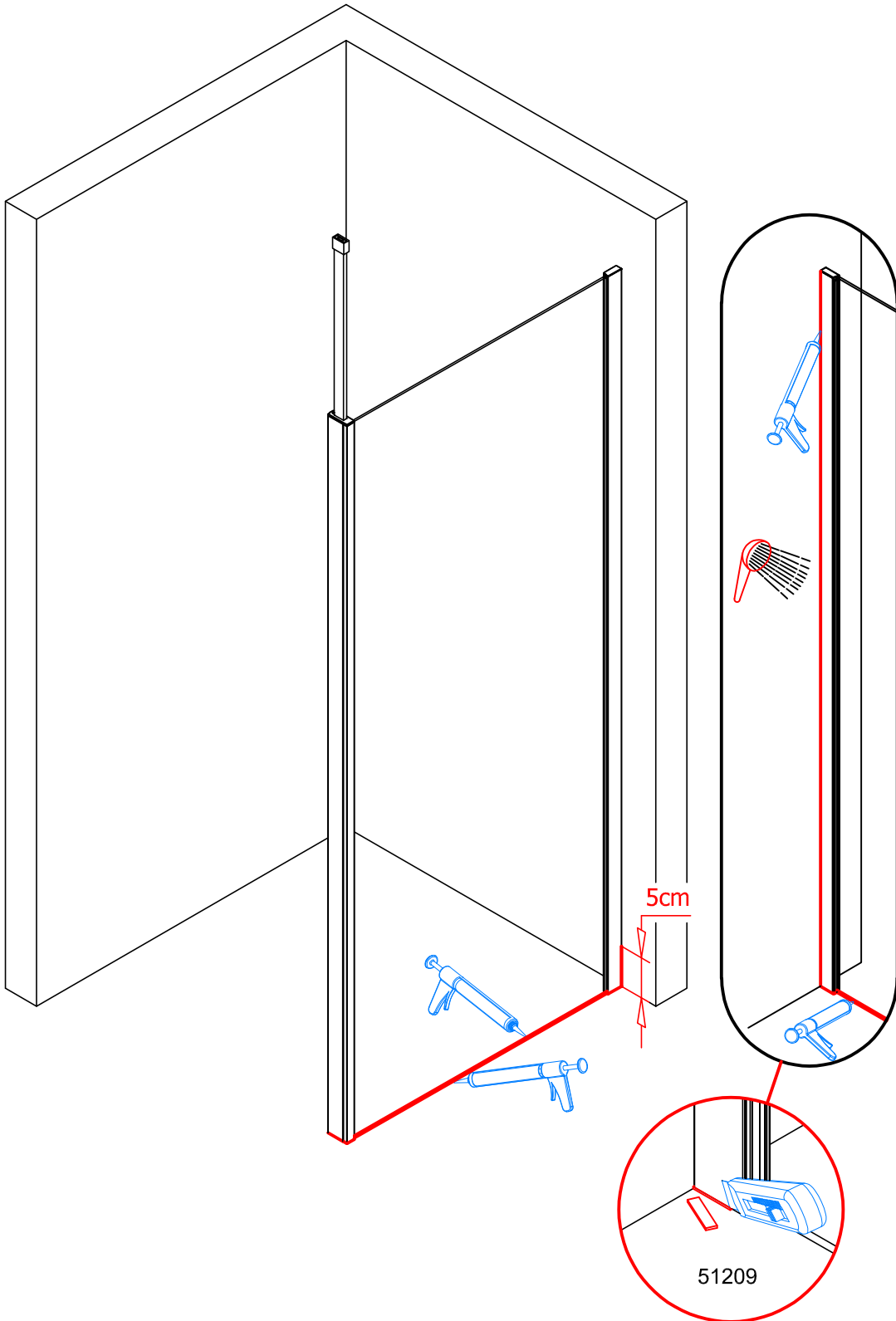
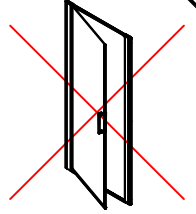
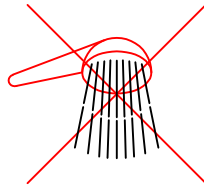
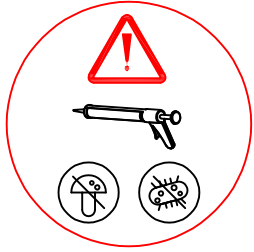
7.1



7.5



8.



5cm

51209