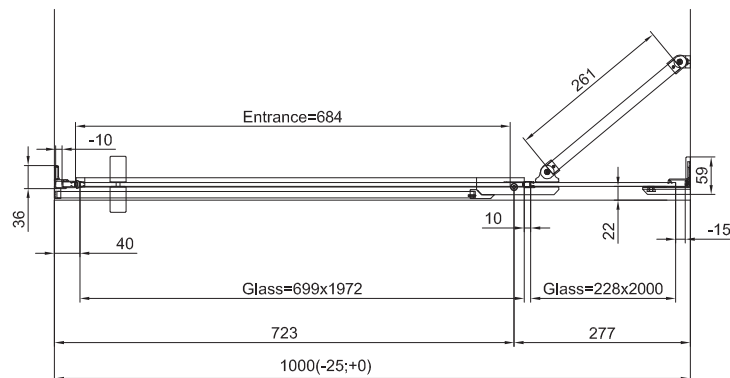
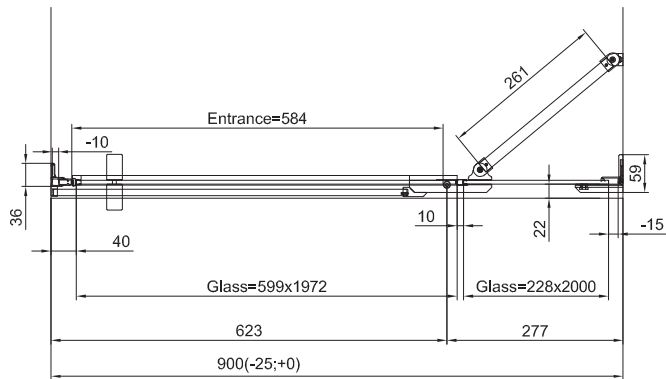
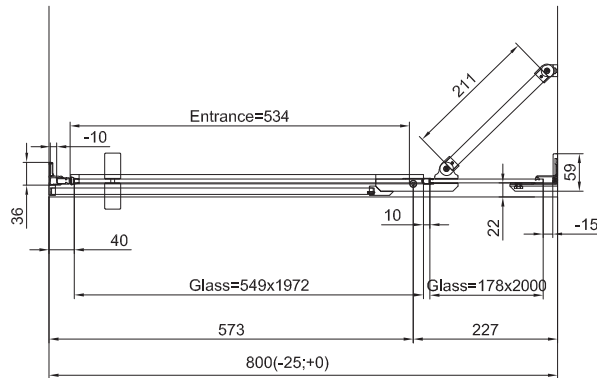
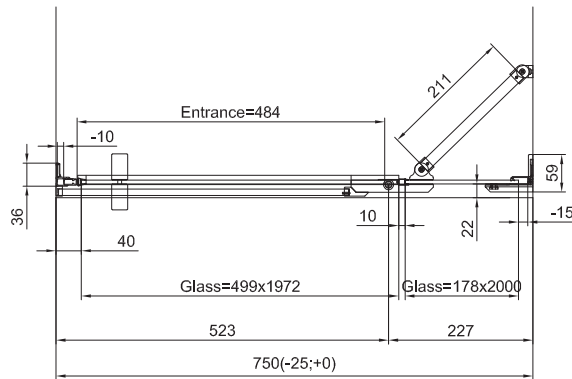


# TECHNICAL INFORMATIONS - DIMENSIONS



Series name  
Cadura

Model name  
CA13+V2.CA



# TECHNICAL INFORMATIONS - DIMENSIONS



Series name  
Cadura

Model name  
CA13+V2.CA

