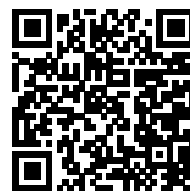
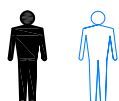
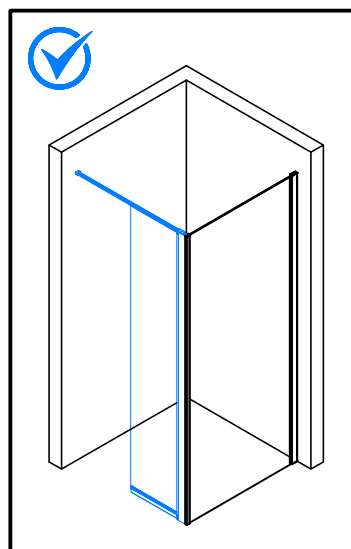
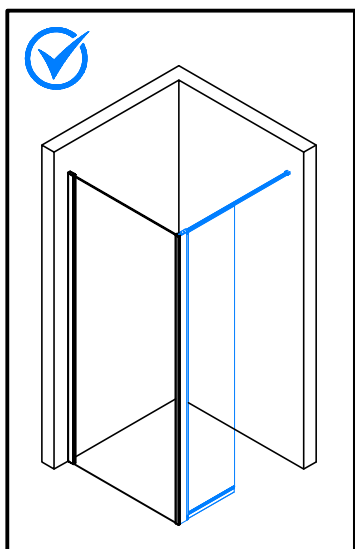


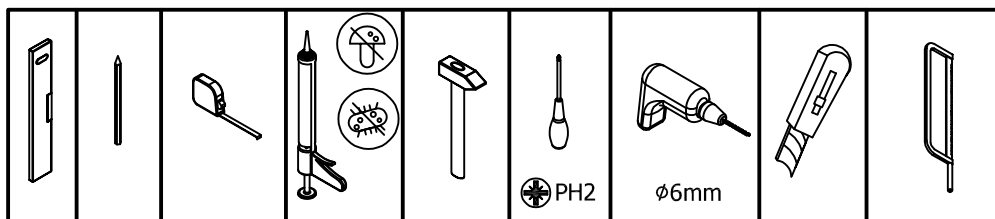
19749

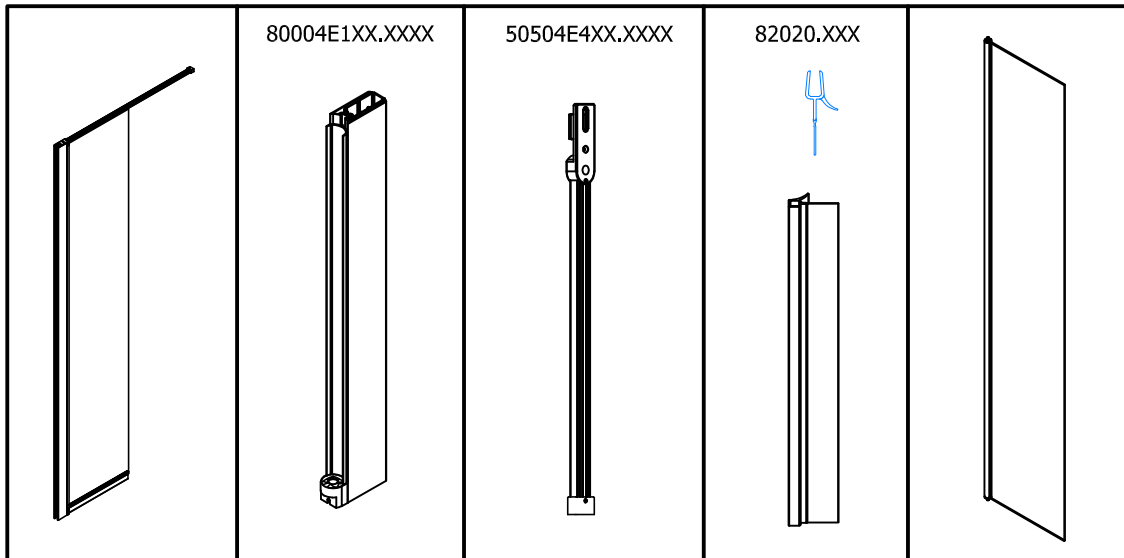



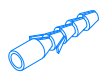





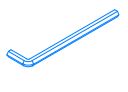
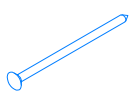
D22BTK2 + D22F1

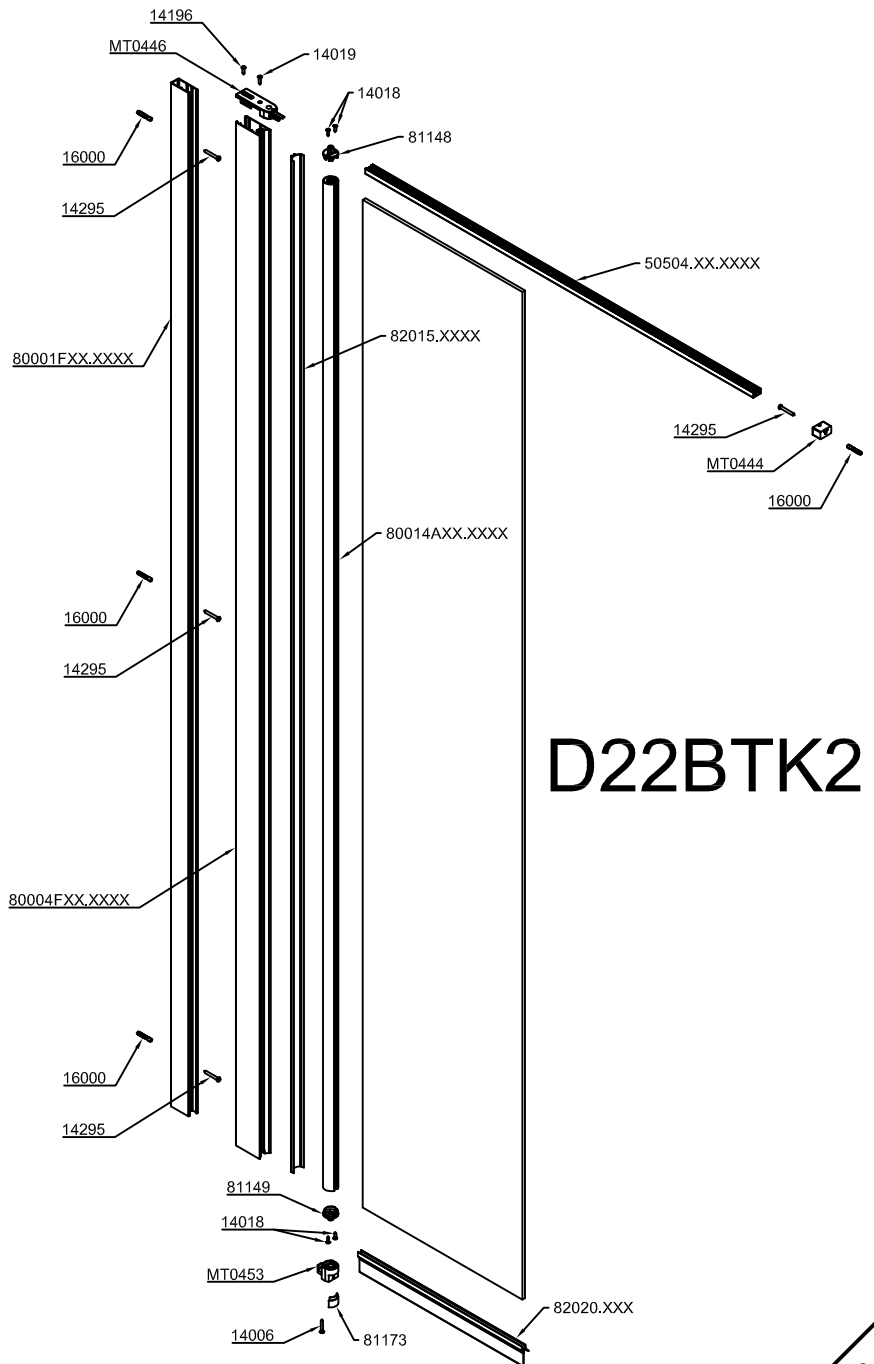


1x





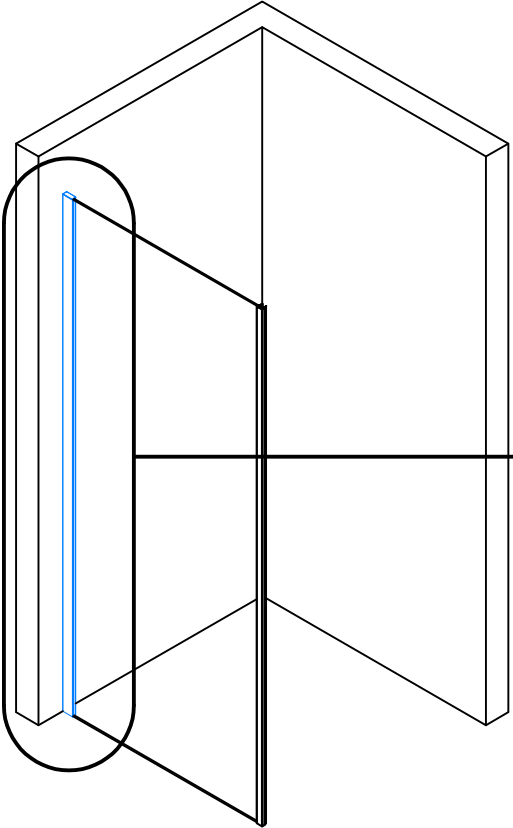
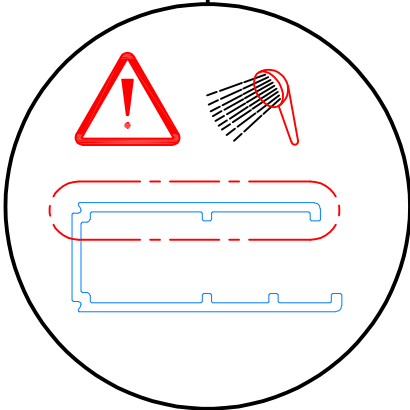
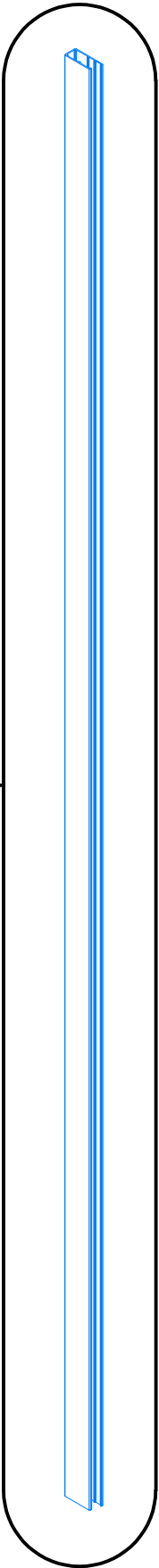
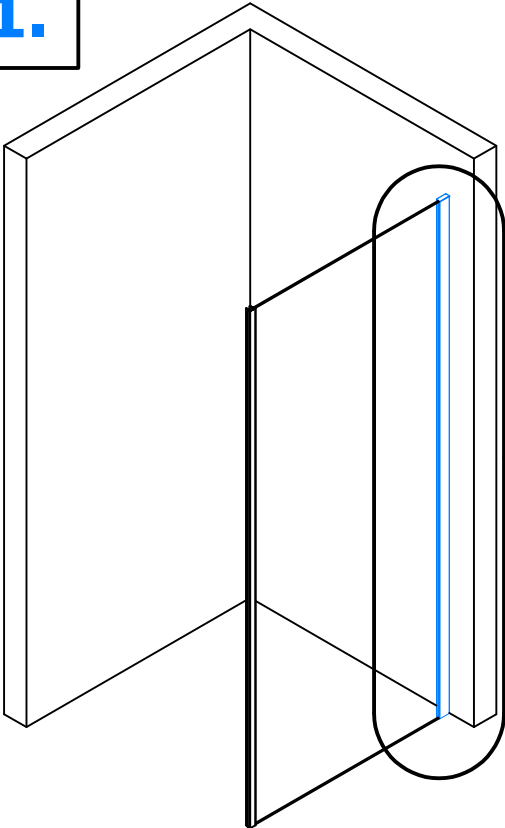
		
 4 x 16000 Ø 6mm	 4 x 14295 4.2X32mm	 1 x 14196
 1 x 14019	 1 X 81149.XX	 1 x 81173.XX
 2mm - 17158	 1 x 11221	

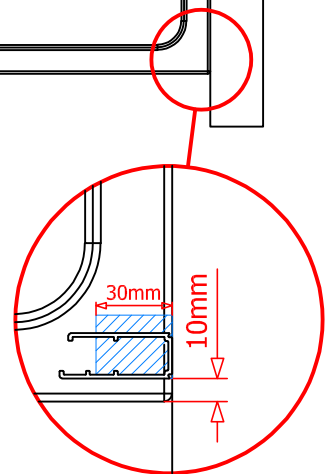
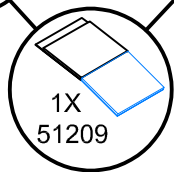
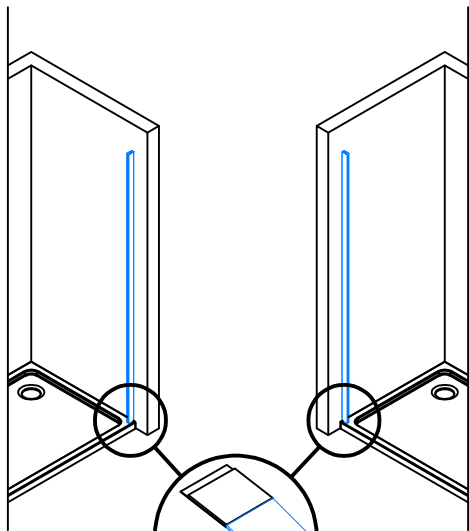
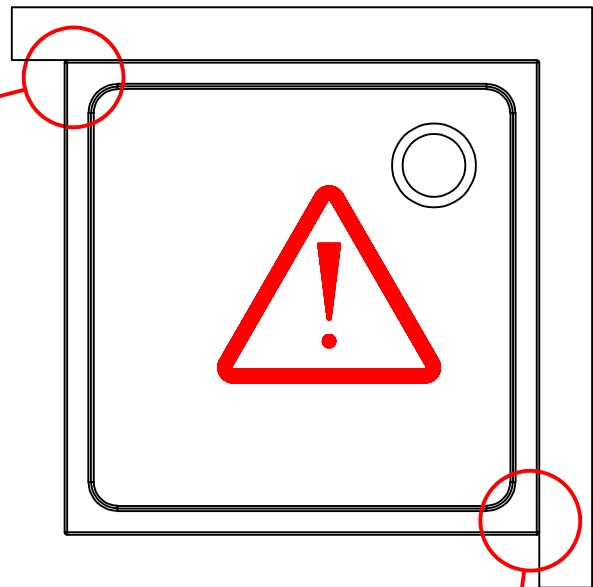
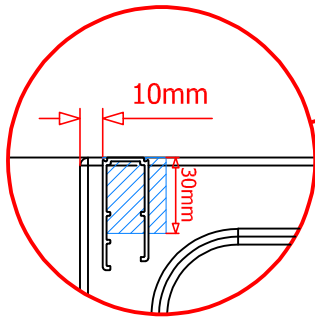


D22BTK2

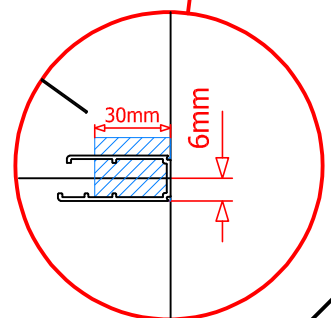
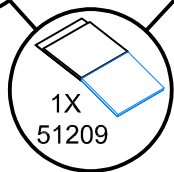
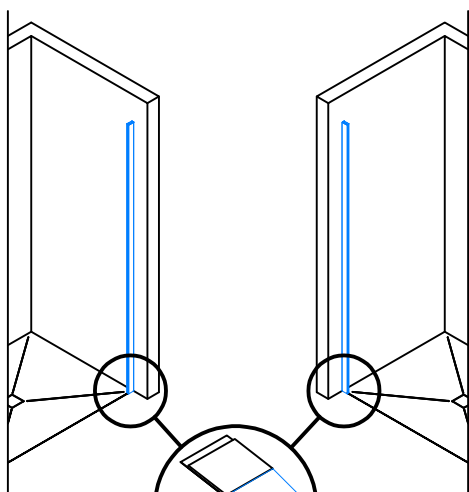
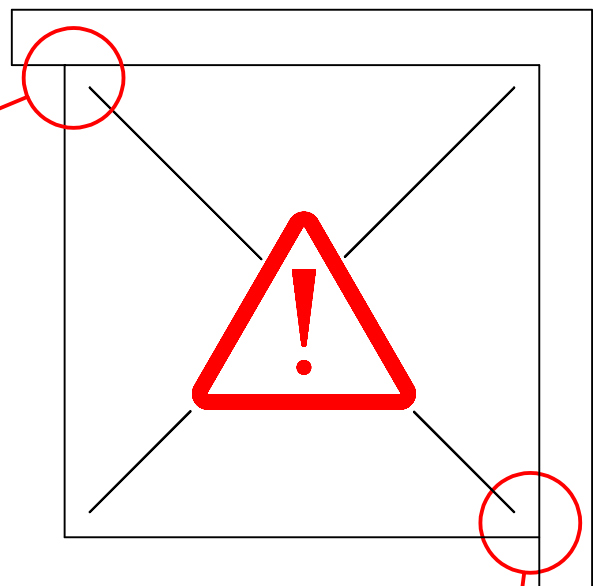
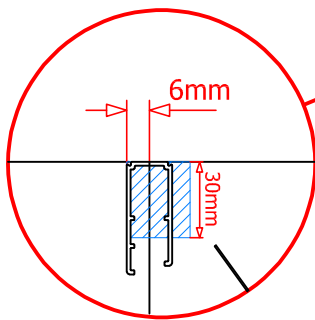
1.

80001FXX.XXXX

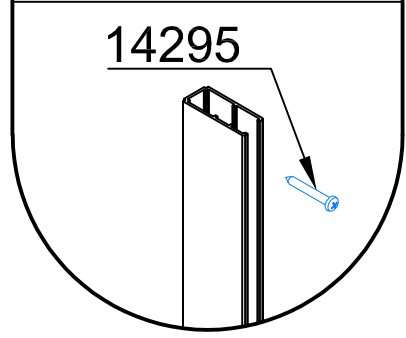
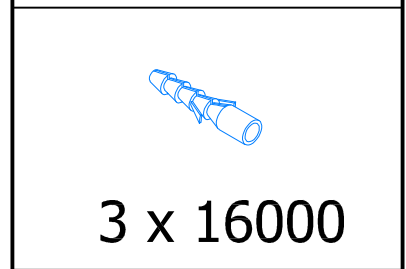
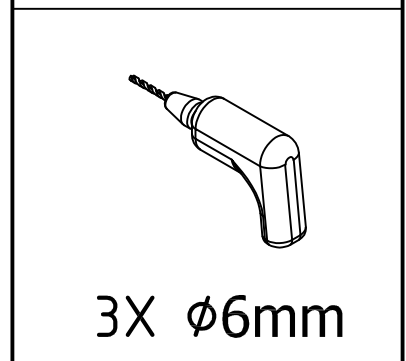
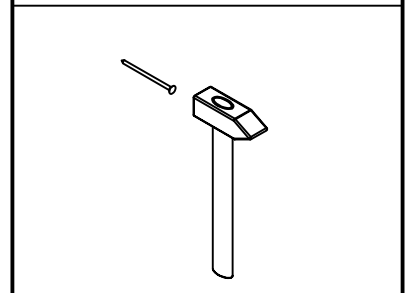
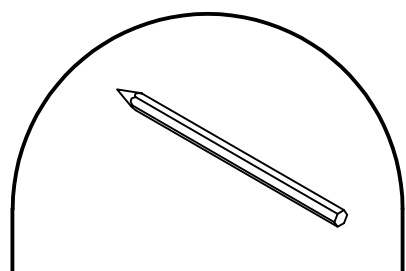
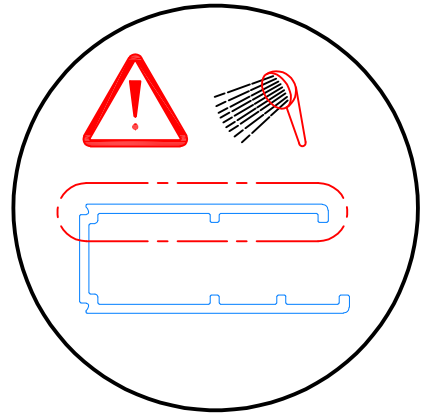
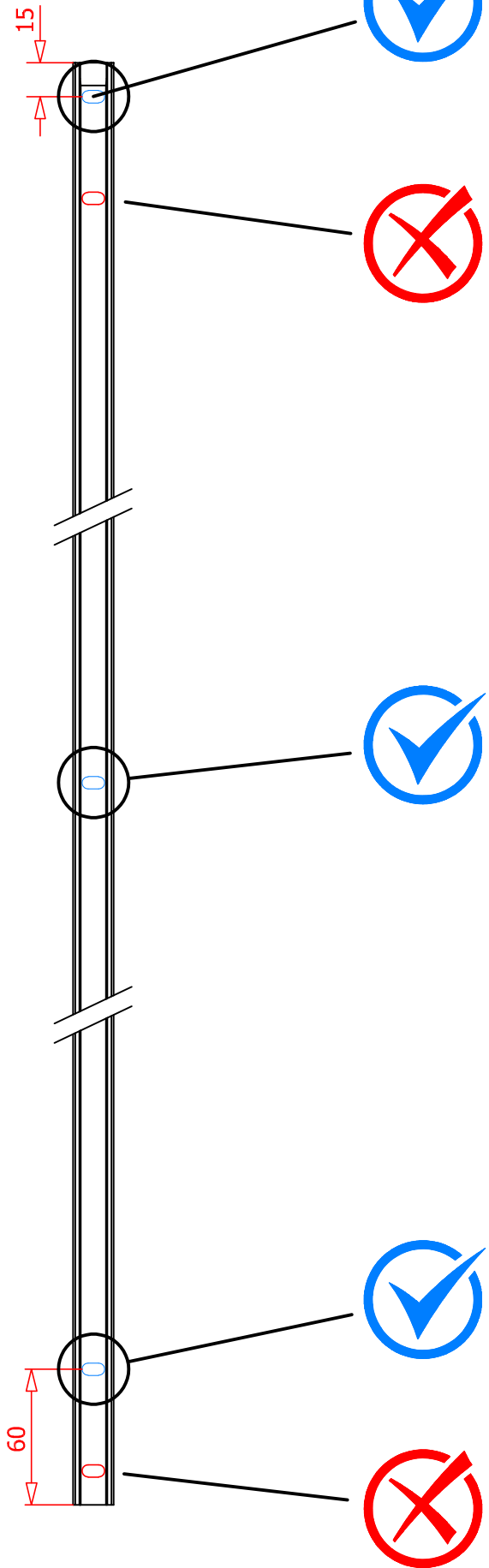


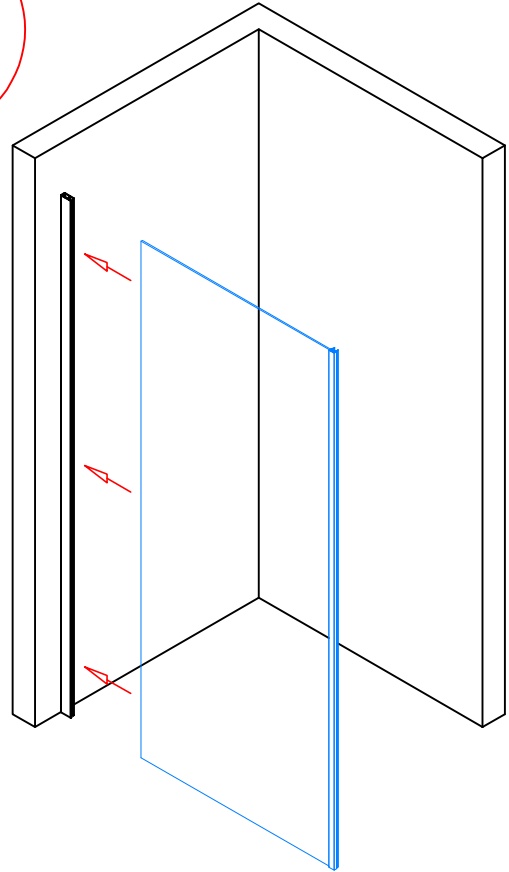
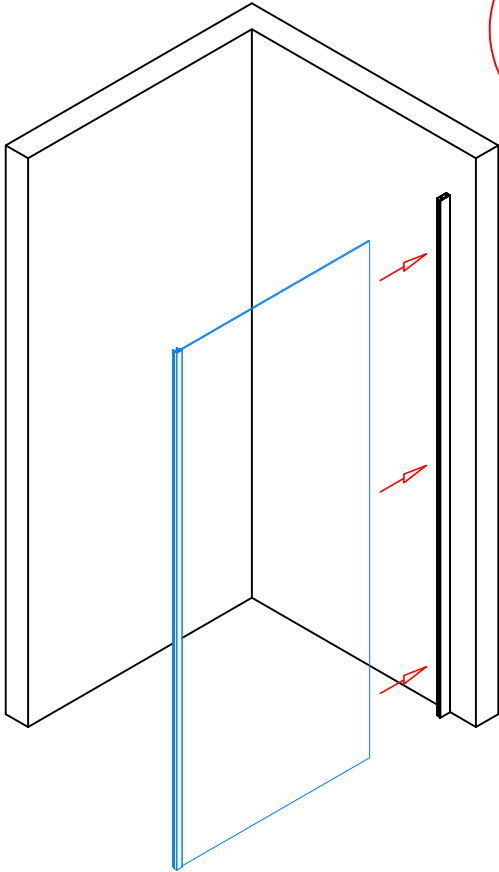


2.

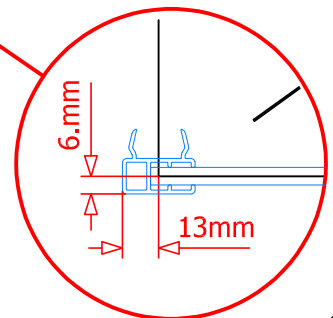
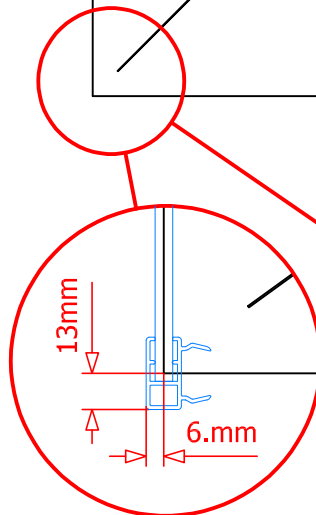
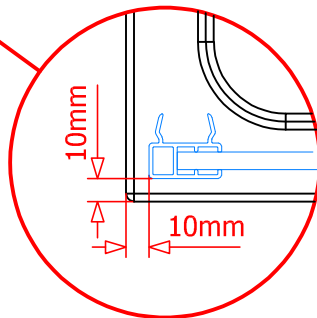
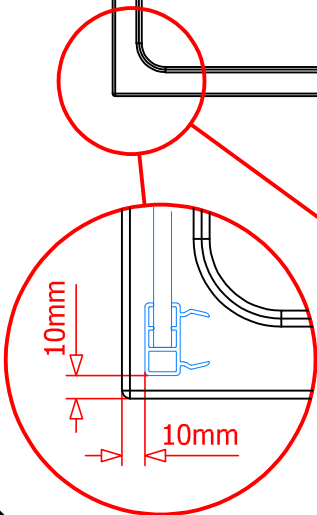
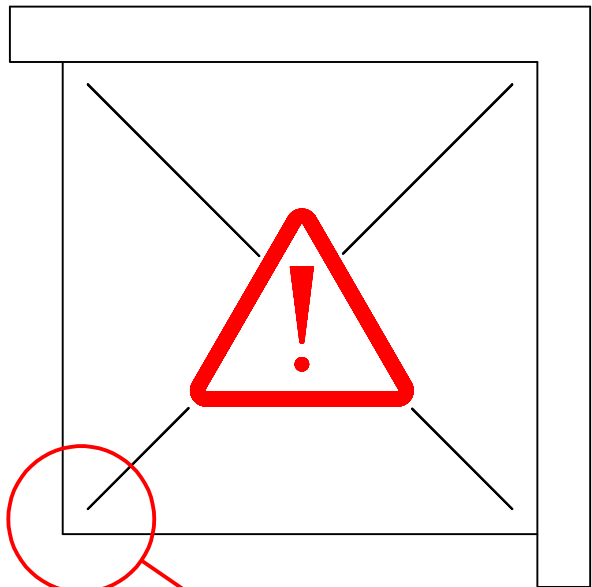
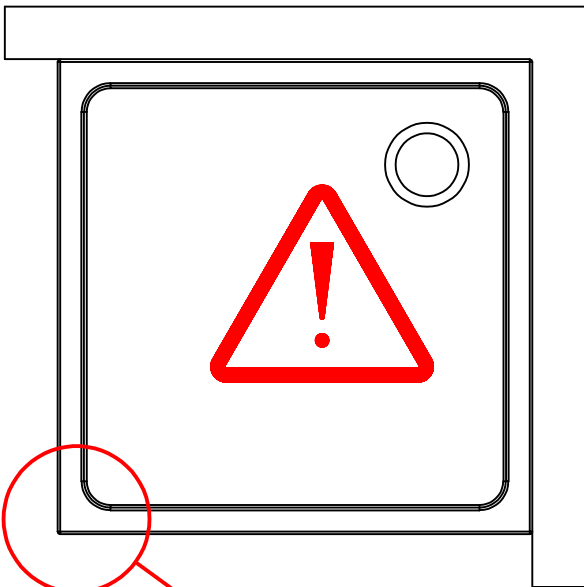


3.



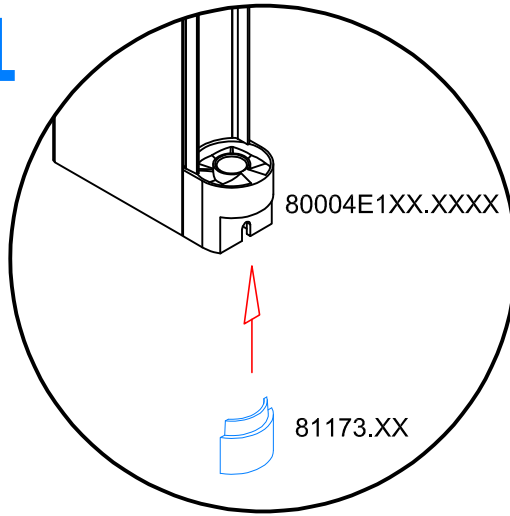


4.

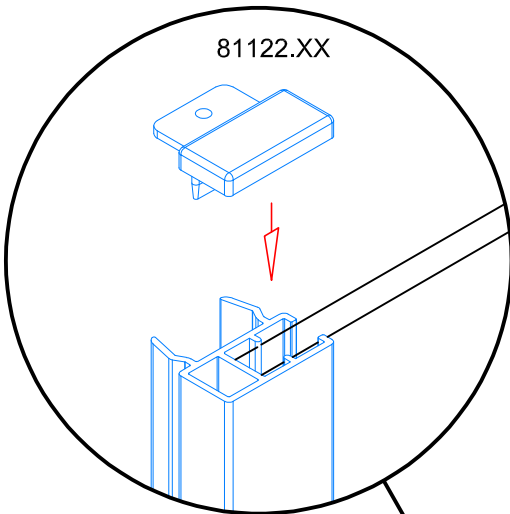


5.1 → 5.3

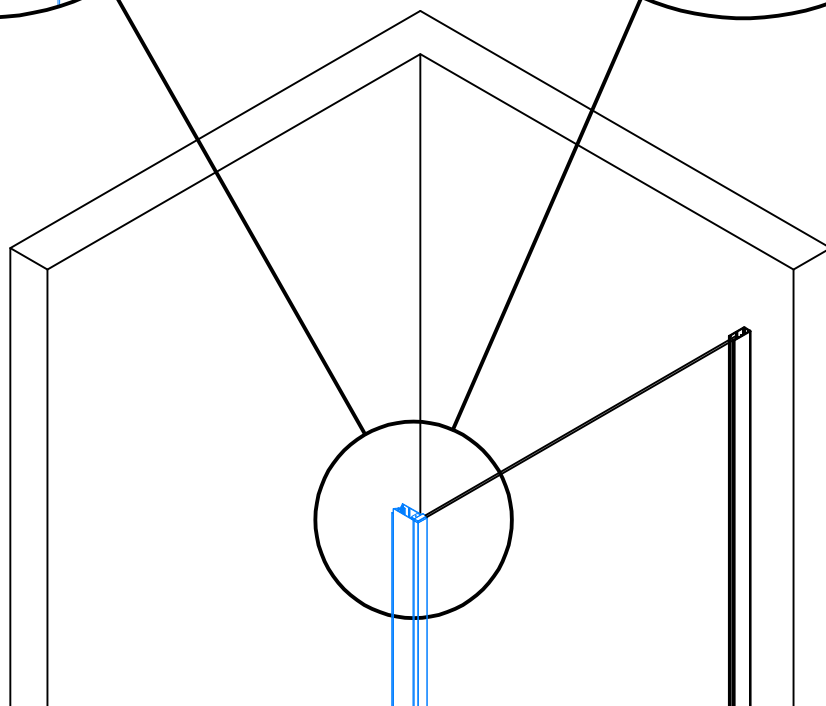
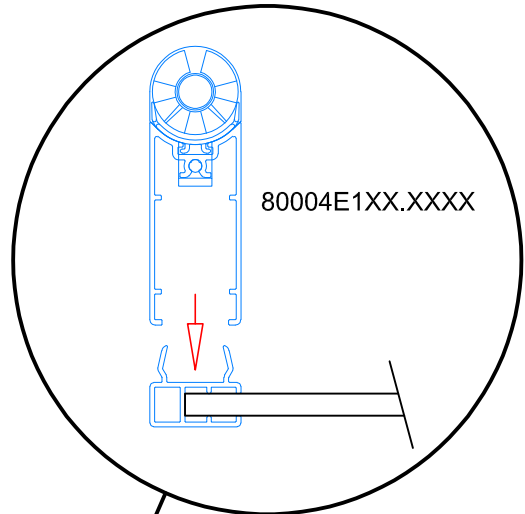
5.1



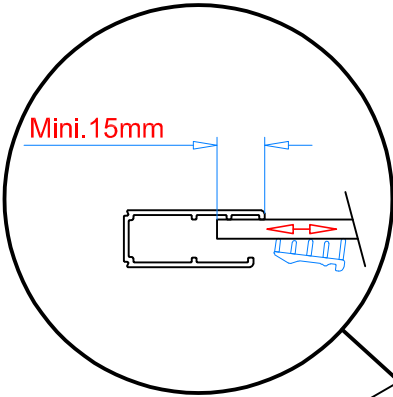
5.2



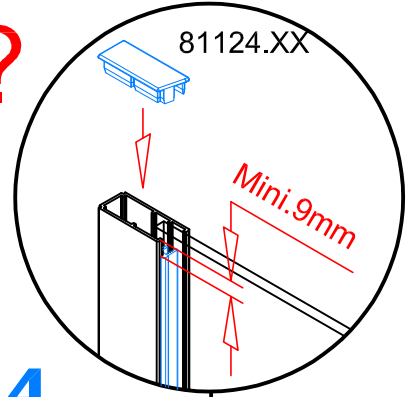
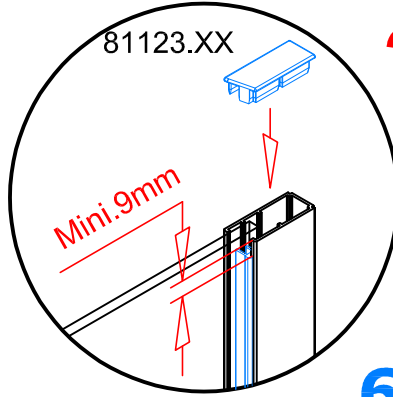
5.3



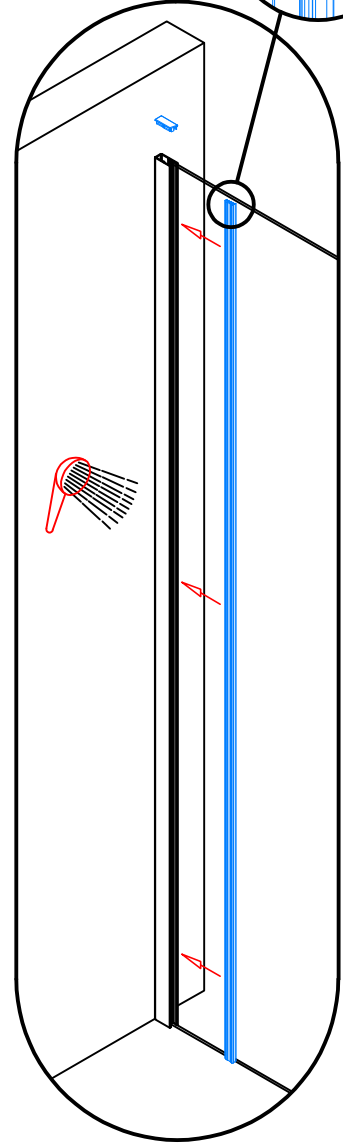
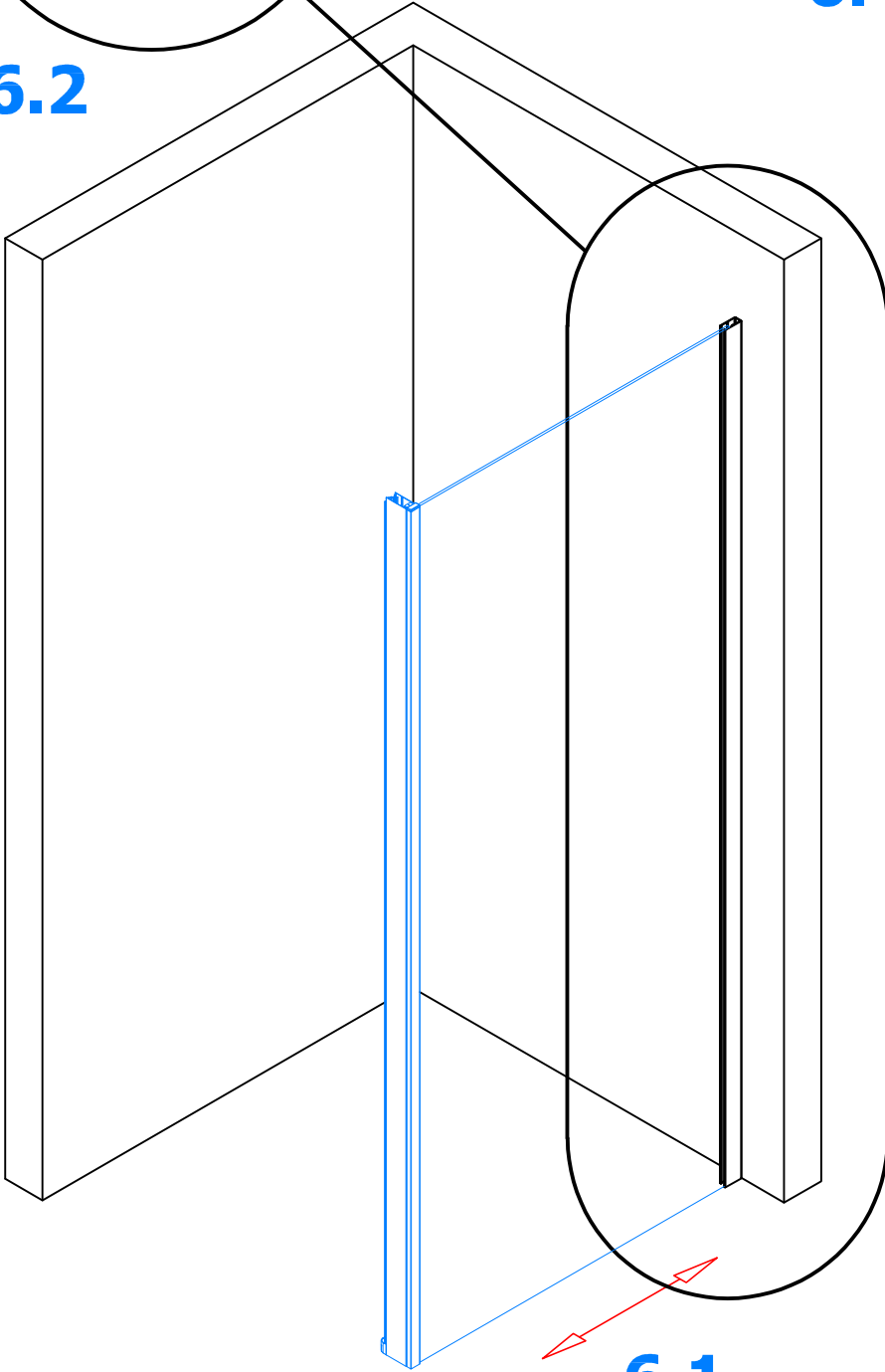
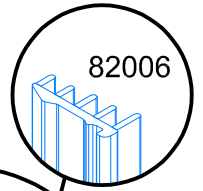
6.1 → 6.4



6.2



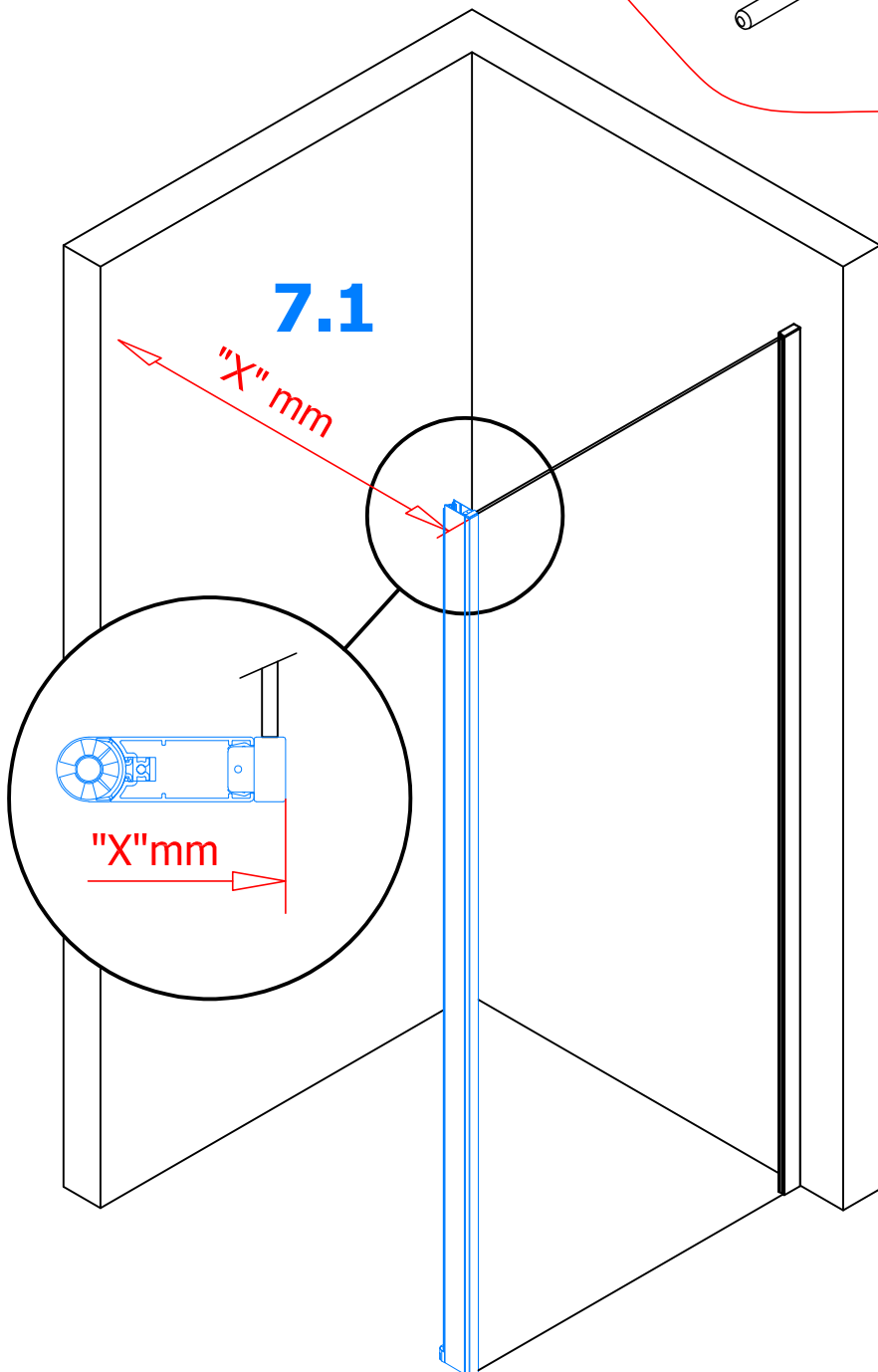
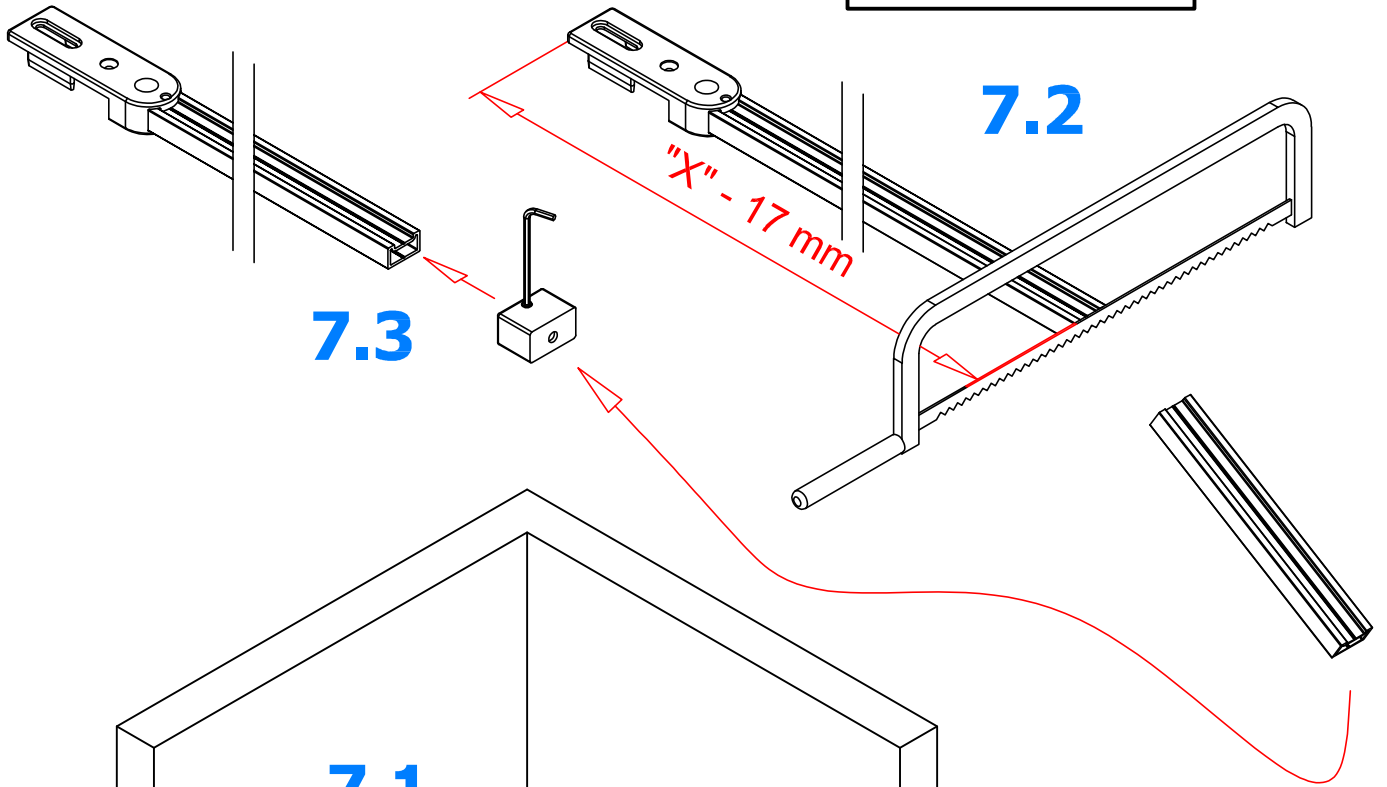
6.4



6.1

6.3

7.1 → 7.3



8.3

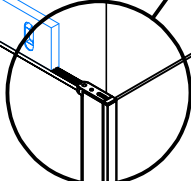
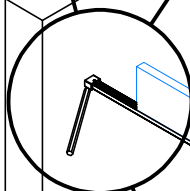
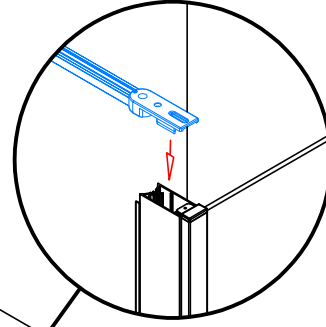
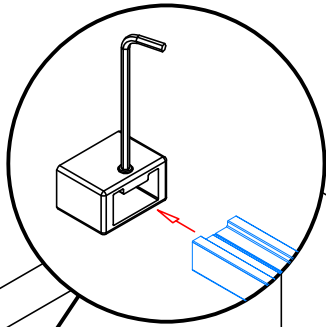
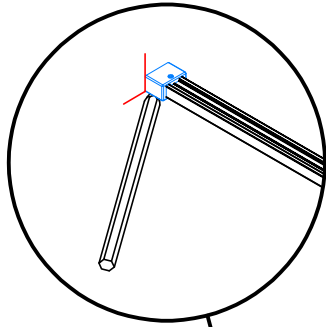
8.1 → 8.5



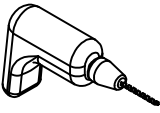


8.1

8.5

8.2

8.4

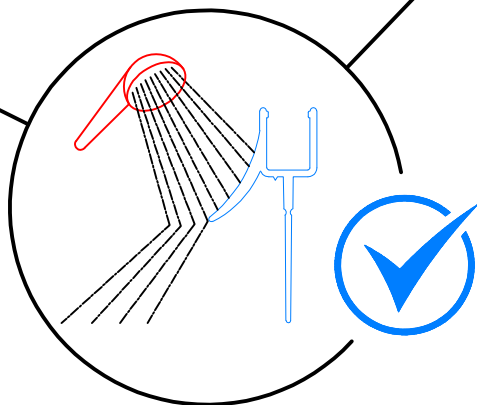
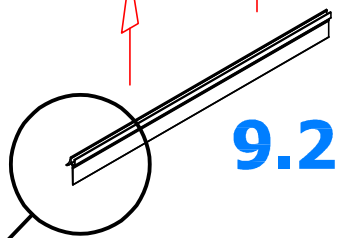
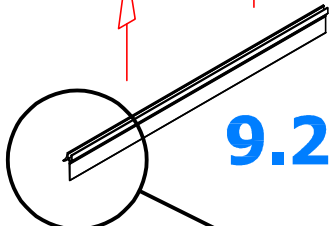
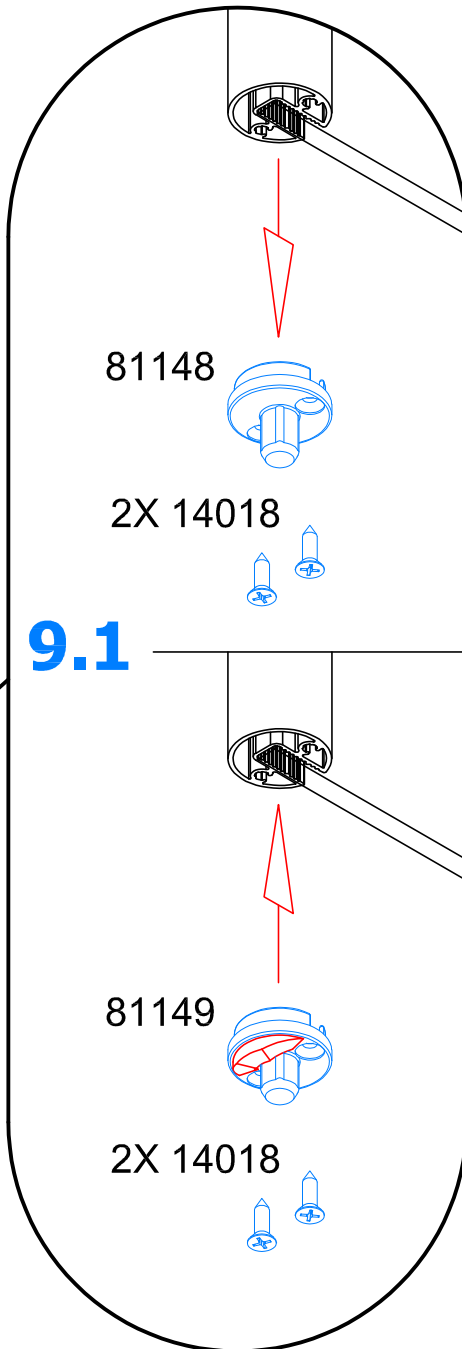
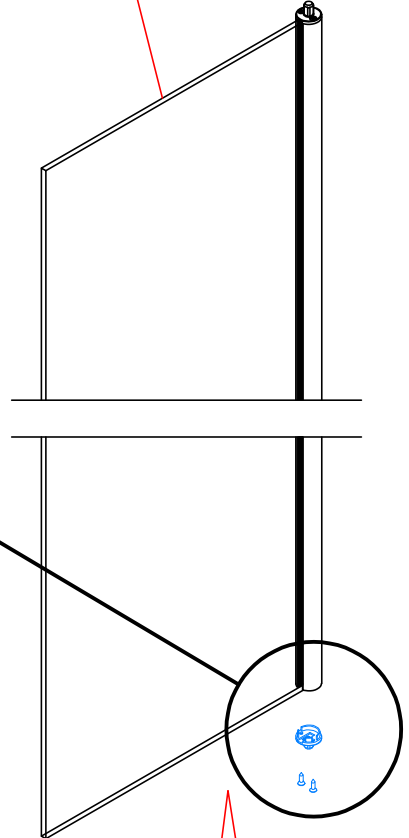
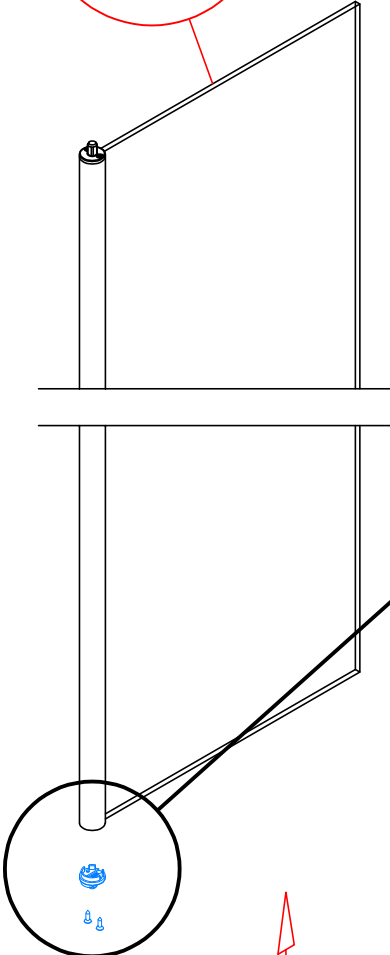


- 
- 
- 
1X $\phi 6\text{mm}$
- 
1 x 16000
- 
14295

D22BTK2 L

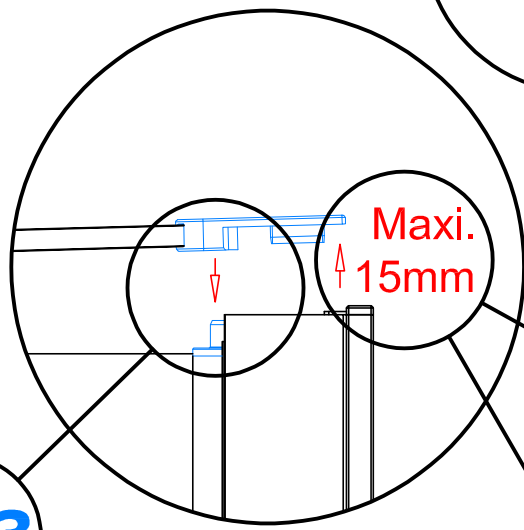
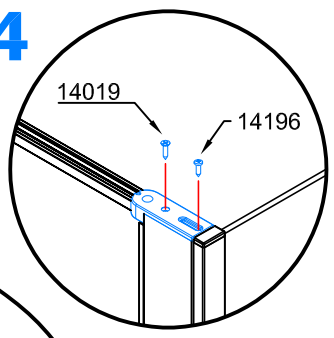
9.1 → 9.2

D22BTK2 R



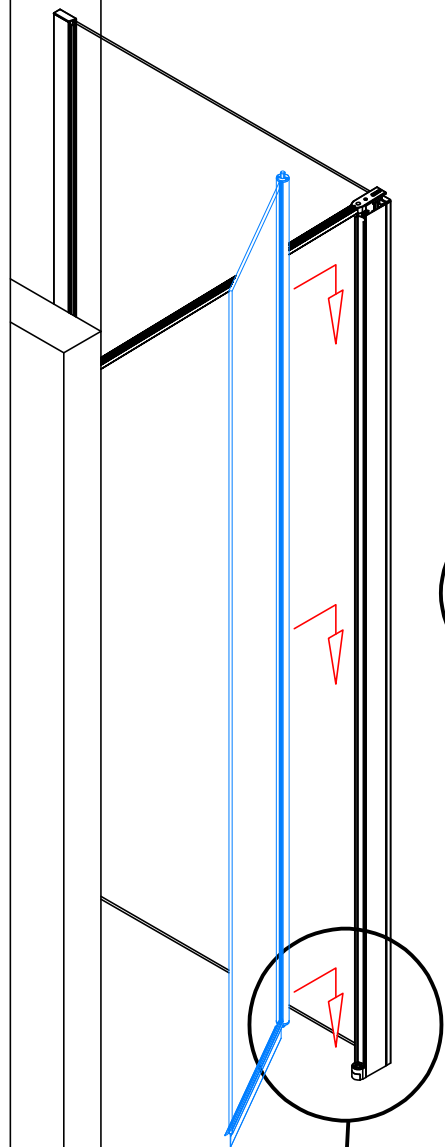
10.1 → 10.4

10.4

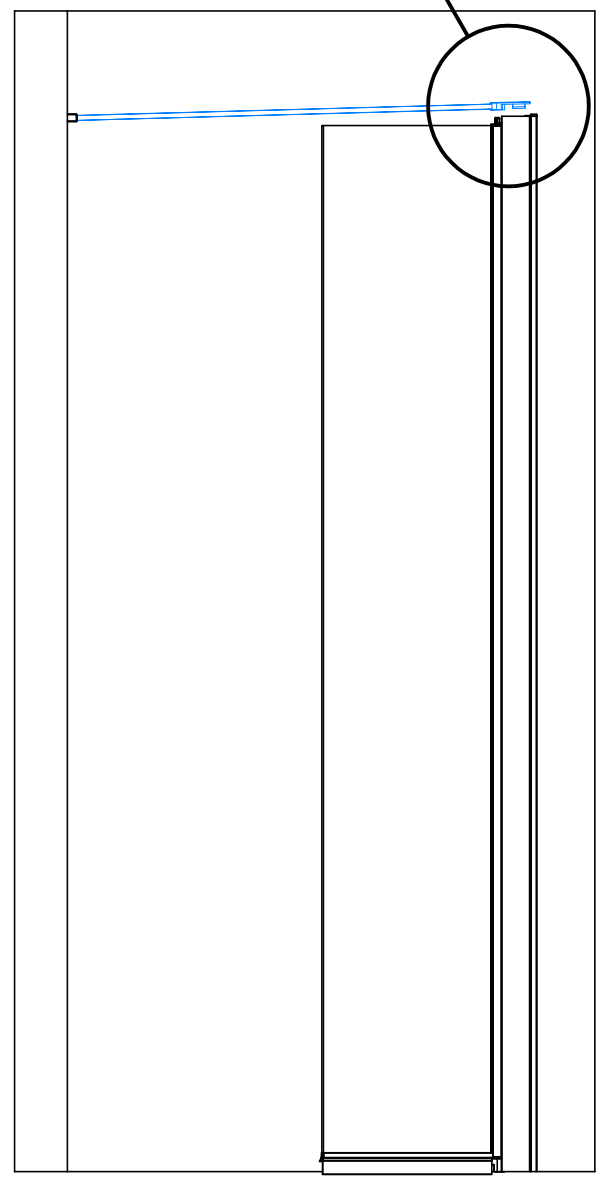
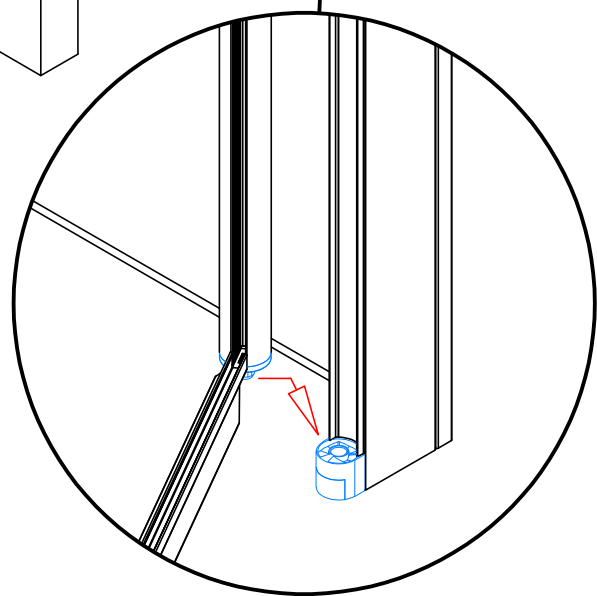


10.2

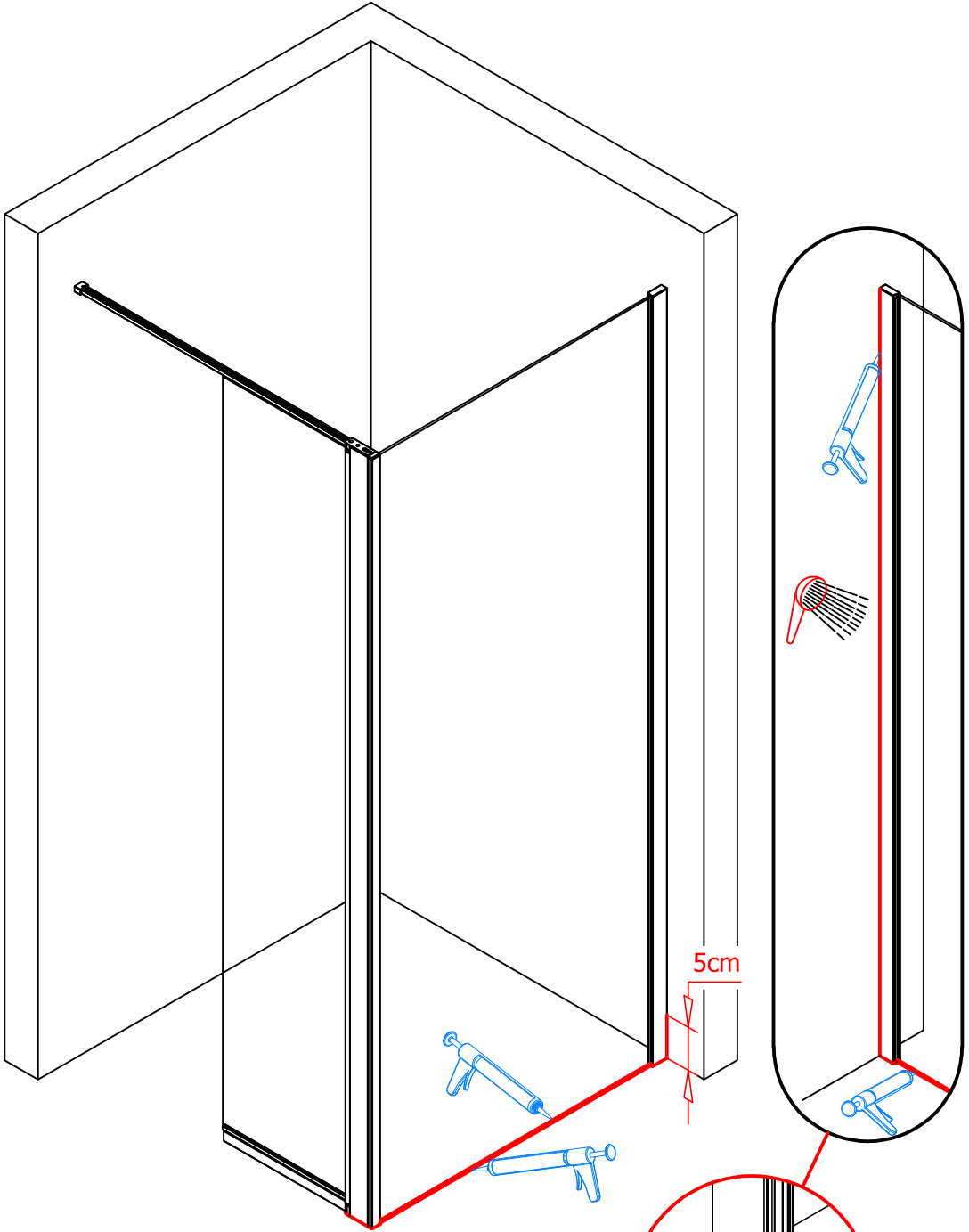
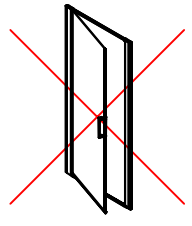
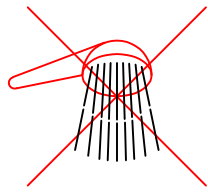
10.3



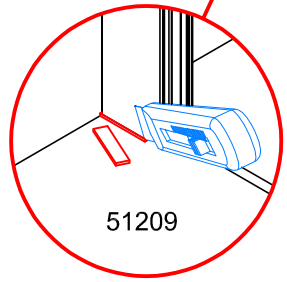
10.1



11.



5cm



51209

