

INSTRUCTION MANUAL

20 GALLON PARTS WASHER



Instruction Manual

IMPORTANT SAFETY INSTRUCTIONS

1. Read all instructions.
2. Care must be taken as burns can occur from touching hot parts.
3. Do not operate equipment with a damaged cord or if the equipment has been dropped or damaged-until it has been examined by a qualified serviceman.
4. Do not let cord hang over edge of table, bench or counter or come in contact with hot manifolds or moving fan blades.
5. If an extension cord is necessary, a cord with a current rating equal to or more than that of the equipments should be used. Cords rated for less current than the equipment may overheat. Care should be taken to arrange the cord so that it will not be tripped over or pulled.
6. Always unplug equipment from electrical outlet when not in use. Never use the cord to pull the plug from the outlet. Grasp plug and pull to disconnect.
7. Let equipment cool completely before putting away. Loop cord loosely around equipment when storing.
8. To reduce the risk of fire, do not operate equipment in the vicinity of open containers of flammable liquids(gasoline).
9. Adequate ventilation should be provided when working on operating internal combustion engines.
10. Keep hair, loose clothing, fingers, and all parts of body away from moving parts.
11. To reduce the risk of electric shock, do not use on wet surfaces or expose to rain.
12. Use only as described in this manual. Use only manufacturer's recommended attachments.
13. ALWAYS WEAR SAFETY GLASSES. Everyday eyeglasses only have impact resistant lenses. they are NOT safety glasses.

SAVE THESE INSTRUCTIONS

OPERATION NOTE:

1,Make sure the liquid level will not exceed 1/2" of the Yellow Line

upward or downward inside of the tank.

2.If the liquid couldn't come out from the flexible pipe, please turn off the switch first, using the accessories injector aim at the mouth of the pipe, push the injector to clean out the air in the pump. Then turn on the switch again.

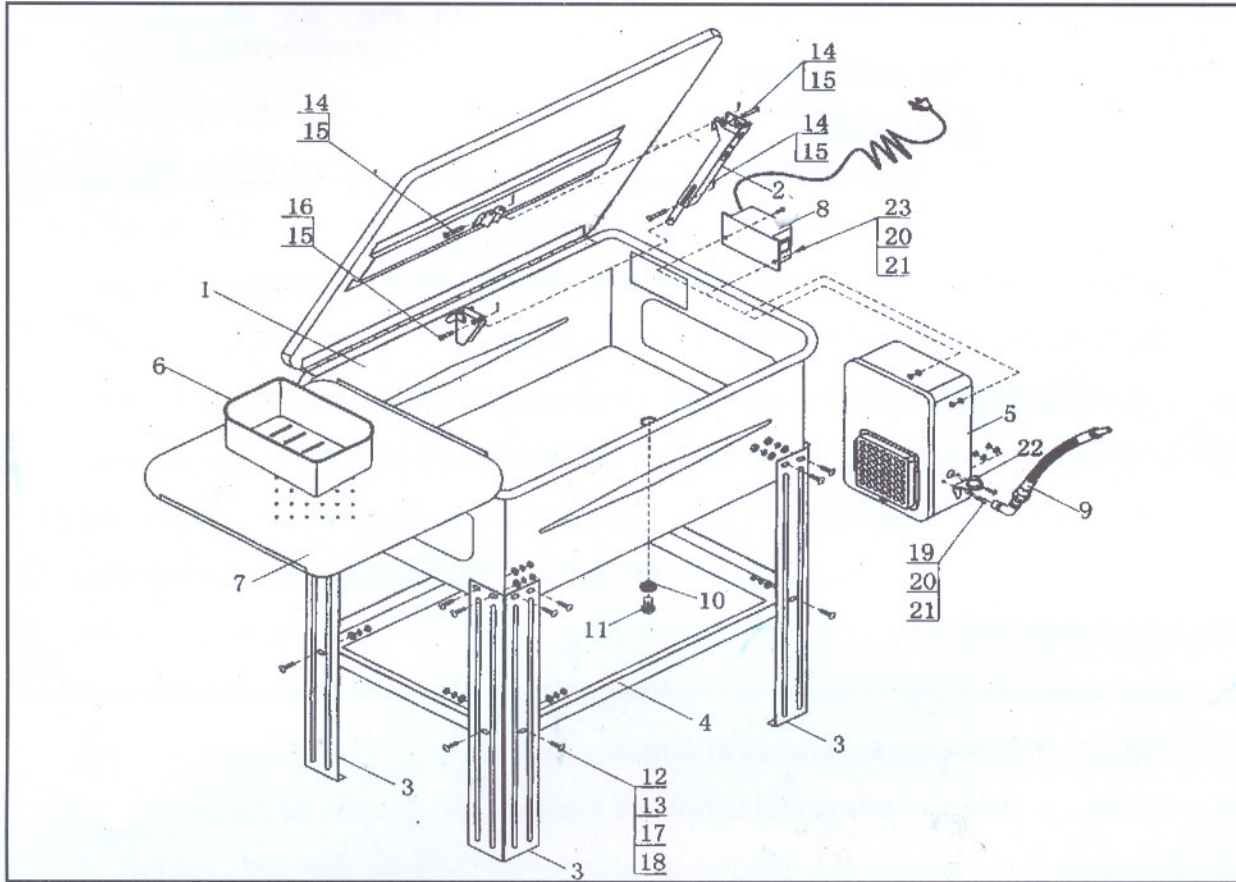
Instruction Manual

ASSEMBLY INSTRUCTIONS

1. Remove machine from carton and inspect for any visual damage.
2. Remove parts inside the machine.
3. Lay clean and hard cardboard on the floor and lay machine on its lid.
4. Mount four legs on brackets with M6×12 screws and M6 nut.
NOTE: DO NOT TIGHING
5. Place lower shelf between legs with flat surface up and attach to legs with M6×12 screws and M6 nuts.
6. With legs press tight against lower shelf, tighten all screws to lower shelf.
7. Tighten all the screws installed in step 4.
8. Stand machine up, be careful to hold lid closed.
9. Put work shelf and basket into the machine.
10. Mount pump assembly into slot on the side of the machine then place filter screen in position.
11. Plug machine into standard 110V~240V grounded outlet and fill with proper amount of fluid.
12. Turn switch on. Fluid should now be flowing from the flexible spigot.

Overall Dimensions	30-3/4"×21-3/4" ×35-3/4"
Tank dimensions	29-7/8" ×20-3/4" ×10-8/10"
Max Solvent Capacity	20 Gallons
Max Pump Output	20L/Min
Gross Weight	28.0 Kgs

PARTS LIST



No.	Description	Qty	No.	Description	Qty
1	Washing Body	1	13	Flat Washer $\varnothing 6$	24
2	Support	1	14	Rivet $\varnothing 9$	3
3	Leg	4	15	Snap Pin $\varnothing 1.5 \times 12$	4
4	Shelf	1	16	Rivet $\varnothing 8$	1
5	Pump Housing	1	17	Spring Washer $\varnothing 6$	24
6	Washing Basket	1	18	Hex Nut M6	24
7	Work Shelf	1	19	Screw M4 $\times 10$	2
8	Switch Box	1	20	Flat Washer $\varnothing 4$	4
9	Flexible Pipe	1	21	Hex Nut M4	4
10	O-Ring	1	22	Elbow Seat	1
11	Bolt M14 $\times 12$	1	23	Screw M4 $\times 12$	2
12	Screw M6 $\times 12$	24			