

USER'S MANUAL OF DIGITAL CALIPER

0-300MM (3V BATTERY)

● MAINTENANCE INSTRUCTIONS

1. Before using a digital caliper, clean the surface of the protective sticker with dry and clean cloth (or soaked with cleaning oil).
2. Never apply voltage (e. g. engraving with an electric pen) on any part of the Digital Caliper for fear of damaging the circuit.
3. Take out the battery if it's not used for a long time to save power.

● TECHNICAL SPECIFICATIONS

Resolution: 0.01mm

Power: One button cell battery 3V

Measuring speed: $\leq 1.5\text{m/s}$

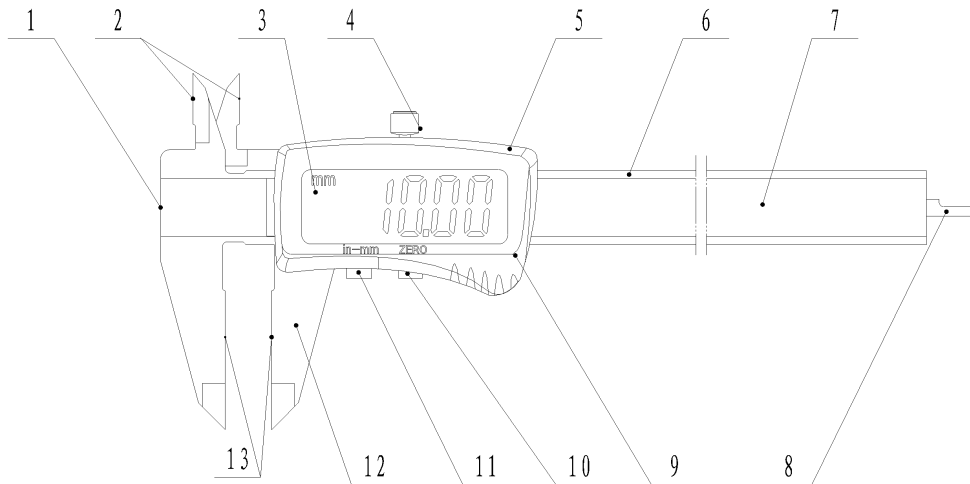
Working temperature: $0\sim+40^{\circ}\text{C}$

Relative humidity: $<80\%$

Storage temperature: $-10^{\circ}\text{C}\sim+60^{\circ}\text{C}$

Auto-power off

● DIGITAL CALIPER STRUCTURES



1. Step Measuring Face 2. Inside Measuring Face 3. LCD Display
4. Locking Screw 5. Battery Cover 6. Caliper Body 7. Protective Sticker 8.
Depth Bar 9. Housing 10. Zero Setting Button 11. in/mm conversion button 12.
Slider 13. Outside Measuring Face

● FUNCTION

1. Zero-setting at any point for incremental measurement.

2. mm/inch conversion at any point.

● **OPERATIONS**

1. Preparation:

- (1) Dry the surface of the protective sticker and clean the measuring surfaces.
- (2) Loosen the locking screw and move the slider to check if the LCD display and all the buttons work properly.

2. Measurement

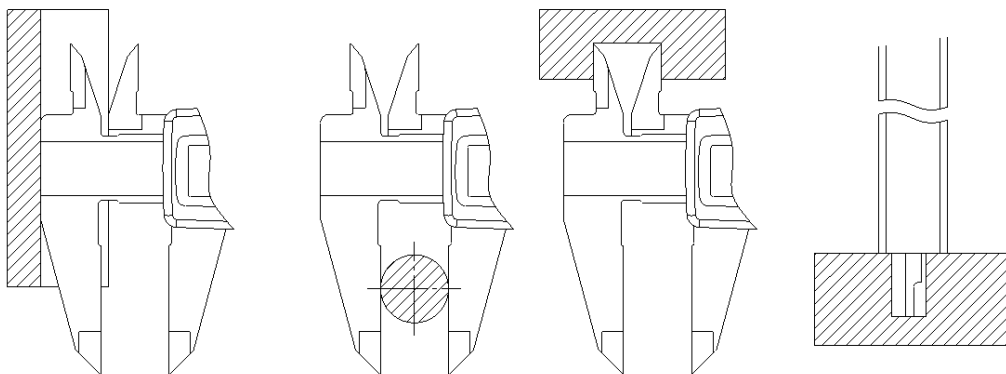
- (1) Press any key to switch on power.
- (2) Press mm/in to choose desired unit system.
- (3) Then move the slider to make two outside measuring faces touch gently and press Zero button to start regular measuring.

3. BATTERY REPLACEMENT

Abnormal display (digits flashing or even no display) shows a flat battery and it should be replaced. Pull our battery cover 5 to take out the battery and put in a new battery. Note: The positive pole of the battery must face upwards. If the battery bought from market does not work satisfactorily (the power may wear down because of the long-term storage or the battery's automatic discharge etc.), please do not hesitate to contact the supplier.

● **BRIEF ON MAINTENANCE:**

Troubles	Possible Causes	Solutions
Flashing digits	Low voltage	Replace the button cell
No Display	1. Low voltage 2. Poor contact	1. Replace the button cell 2. Adjust and clean the battery seat
Fixed digits	Accidental trouble in circuit	Take out the battery and put it back after one minute



测量示意图

