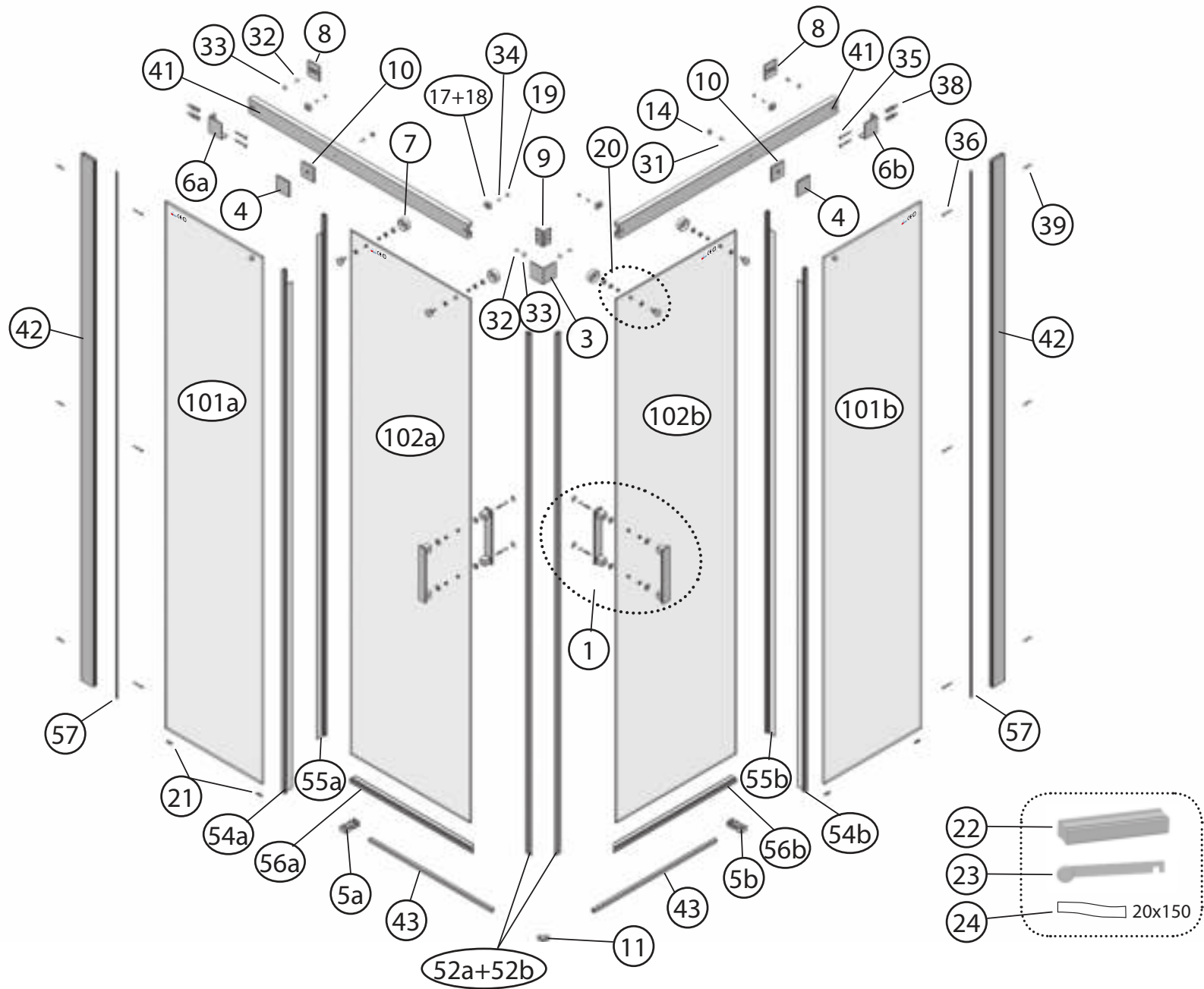

MATRIX

Katalog dílů

Platnost od 06/2016

RAVAK[®]

MSRV4 – 80, 90, 100



| MSRV4 – 80, 90, 100 | | | MSRV4-80/80 | MSRV4-90/90 | MSRV4-100/100 |
|----------------------------|---------------------------------------|--------------|-----------------------|--------------------|----------------------|
| Číslo dílu: | Název: | SIČ: | Množství [ks]: | | |
| 1 | Madlo Matrix komplet chrom | X3MA07S010A | 2 | 2 | 2 |
| 3 | Rohová spojka chrom | X3MAZA0020A | 1 | 1 | 1 |
| 4 | Příložka skla komplet chrom | X3MA05S010A | 2 | 2 | 2 |
| 5a | Vodítko L komplet chrom | X3MA06S01LA | 1 | 1 | 1 |
| 5b | Vodítko R komplet chrom | X3MA06S01RA | 1 | 1 | 1 |
| 6a | Koncovka v.p. L chrom | X3MAZA001LA | 1 | 1 | 1 |
| 6b | Koncovka v.p. R chrom | X3MAZA001RA | 1 | 1 | 1 |
| 7 | Krytka pojezdu chrom | X3MAZA0090A | 4 | 4 | 4 |
| 8 | Krytka koncovky samolepící chrom | X8MAPL0020SA | 2 | 2 | 2 |
| 9 | Krytka rohové spojky samolepící chrom | X8MAPL0030SA | 1 | 1 | 1 |
| 10 | Distanční podložka chrom | X8MAPL00100A | 2 | 2 | 2 |
| 11 | Koncovka p.l. RV chrom | X8MAPL00600A | 1 | 1 | 1 |
| 14 | Záslepka 12 chrom | X8MAPL00800A | 2 | 2 | 2 |
| 17 + | Doraz Matrix - hl.díl chrom | X8MAPL00900A | 4 | 4 | 4 |
| + 18 | Doraz - vložka | X8BLPL136000 | 4 | 4 | 4 |
| | | | | | |
| 19 | Krytka šroubu dorazu Chrom | X8BLPL13700A | 4 | 4 | 4 |
| 20 | Pojezd Matrix komplet | X3MAD02S010A | 4 | 4 | 4 |
| 21 | Samolepící podložka 6x20 | X3MAD0600100 | 4 | 4 | 4 |
| 22 | Montážní podložka dveří | X3MAD0600200 | 2 | 2 | 2 |
| 23 | Montážní přípravek Matrix | X3MAD05S0100 | 1 | 1 | 1 |
| 24 | LDPE přířez 20x150/0,05mm modrý | X3MAD0600300 | 6 | 6 | 6 |
| 31 | Šroub M5x12 DIN 7984 | X90984050120 | 2 | 2 | 2 |
| 32 | Šroub M5x8 DIN 912 | X90912050080 | 4 | 4 | 4 |
| 33 | Podložka 5 DIN 9021 | X91021053150 | 4 | 4 | 4 |

| | MSRV4 – 80, 90, 100 | | MSRV4-80/80 | MSRV4-90/90 | MSRV4-100/100 |
|--------------------|--|---------------|-----------------------|--------------------|----------------------|
| Číslo dílu: | Název: | SIČ: | Množství [ks]: | | |
| 34 | Šroub samořez 3,5x9,5 DIN 7981 | X97981035095 | 4 | 4 | 4 |
| 35 | Vrut do hmoždinky 5x50 DIN 96 | X94000050500 | 4 | 4 | 4 |
| 36 | Vrut do hmoždinky 4x40 DIN 96 | X94000040400 | 6 | 6 | 6 |
| 38 | Hmoždinka MUNGO MU 8x50 | X206MU080500 | 4 | 4 | 4 |
| 39 | Hmoždinka prům. 6 | X20600060001 | 6 | 6 | 6 |
| 41 | Vodící profil 14718.01, 735 mm - Lesk | XVE71801U0735 | 2 | | |
| | Vodící profil 14718.01, 735 mm - Satin | XVE71801X0735 | 2 | | |
| | Vodící profil 14718.01, 735 mm - Bílá | XVE7180110735 | 2 | | |
| | Vodící profil 14718.02, 835 mm - Lesk | XVE71802U0835 | | 2 | |
| | Vodící profil 14718.02, 835 mm - Satin | XVE71802X0835 | | 2 | |
| | Vodící profil 14718.02, 835 mm - Bílá | XVE7180210835 | | 2 | |
| | Vodící profil 14718.03, 935 mm - Lesk | XVE71803U0935 | | | 2 |
| | Vodící profil 14718.03, 935 mm - Satin | XVE71803X0935 | | | 2 |
| | Vodící profil 14718.03, 935 mm - Bílá | XVE7180310935 | | | 2 |
| 42 | Ustavovací profil 14719.01, 1950 mm - Lesk | XVE71901U1950 | 2 | 2 | 2 |
| | Ustavovací profil 14719.01, 1950 mm - Satin | XVE71901X1950 | 2 | 2 | 2 |
| | Ustavovací profil 14719.01, 1950 mm - Bílá | XVE7190111950 | 2 | 2 | 2 |
| 43 | Prahová lišta 14720.01, 425 mm - Lesk | XVE72001U0425 | 2 | | |
| | Prahová lišta 14720.02, 475 mm - Lesk | XVE72002U0475 | | 2 | |
| | Prahová lišta 14720.03, 525 mm - Lesk | XVE72003U0525 | | | 2 |
| 52a + + 52b | Magnet ILPEA C1247 dl.1924 mm | } SET | X6C124700200 | 1 | 1 |
| | Magnet ILPEA C1248 dl.1924 mm | | X6C124800200 | 1 | 1 |
| 54a | Těsnící lišta PP-L, MA-PL-1402-01L | X8C14020001L | 1 | 1 | 1 |
| 54b | Těsnící lišta PP-R, MA-PL-1402-01R | X8C14020001R | 1 | 1 | 1 |

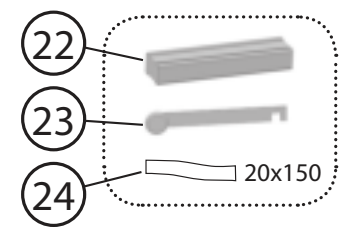
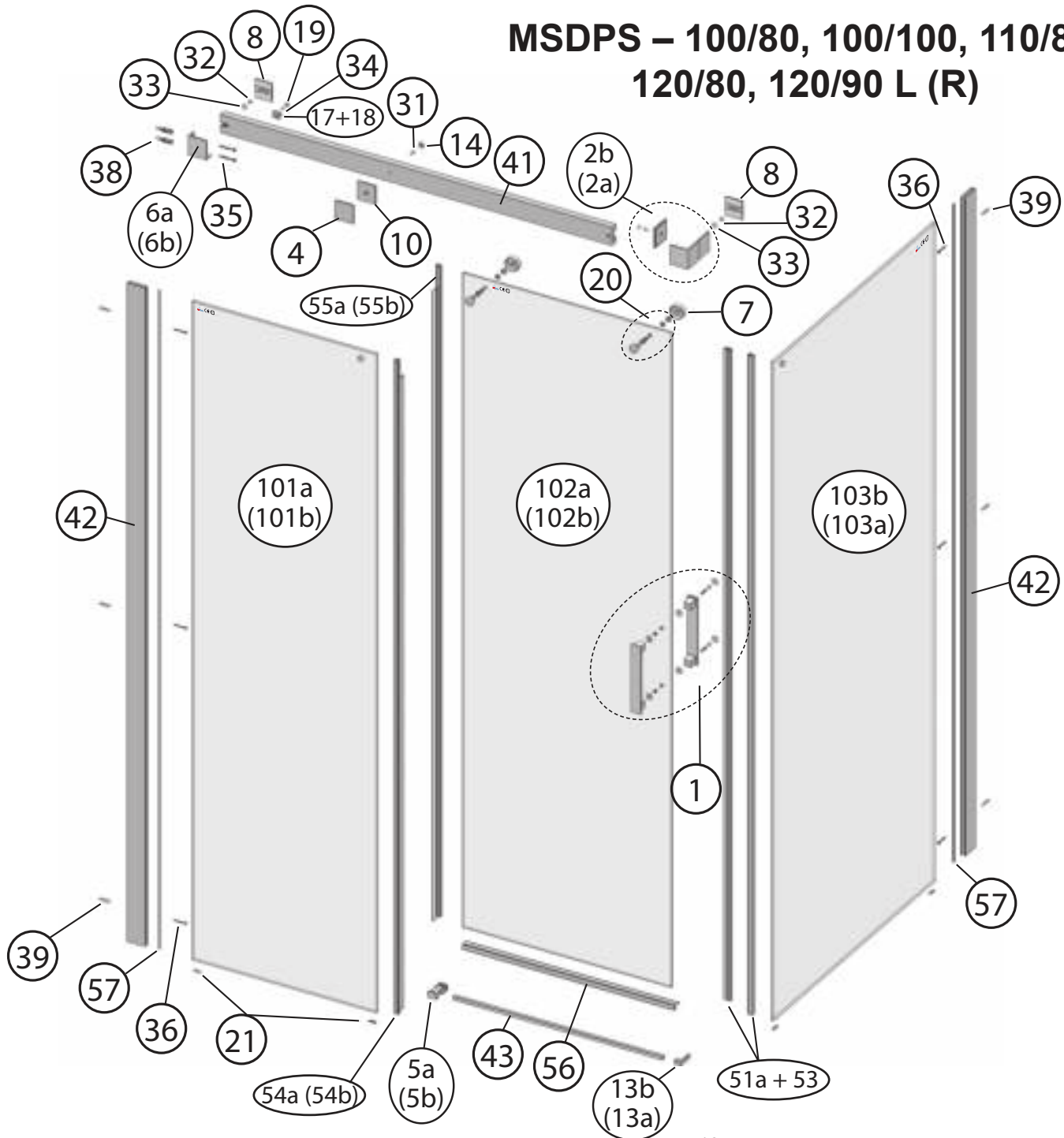
| | MSRV4 – 80, 90, 100 | | MSRV4-80/80 | MSRV4-90/90 | MSRV4-100/100 |
|--------------------|--------------------------------------|------------------|-----------------------|--------------------|----------------------|
| Číslo dílu: | Název: | SIČ: | Množství [ks]: | | |
| 55a | Těsnící lišta D-L, MA-PL-1402-02L | X8C14020002L | 1 | 1 | 1 |
| 55b | Těsnící lišta D-R, MA-PL-1402-02R | X8C14020002R | 1 | 1 | 1 |
| 56a | Okapnička MA-PL-021-01L, 426 mm | X8MAPL02101L | 1 | | |
| | Okapnička MA-PL-021-02L, 476 mm | X8MAPL02102L | | 1 | |
| | Okapnička MA-PL-021-03L, 526 mm | X8MAPL02103L | | | 1 |
| 56b | Okapnička MA-PL-021-01R, 426 mm | X8MAPL02101R | 1 | | |
| | Okapnička MA-PL-021-02R, 476 mm | X8MAPL02102R | | 1 | |
| | Okapnička MA-PL-021-03R, 526 mm | X8MAPL02103R | | | 1 |
| 57 | Zasklívací profil č.127, dl. 1950 mm | X8C700000100 | 2 | 2 | 2 |
| 101a | Sklo 8,0x1949x315 čiré MA-SR-PP-01L | X4Z180J49315MPPL | 1 | | |
| | Sklo 8,0x1949x365 čiré MA-SR-PP-02L | X4Z180J49365MPPL | | 1 | |
| | Sklo 8,0x1949x415 čiré MA-SR-PP-03L | X4Z180J49415MPPL | | | 1 |
| 101b | Sklo 8,0x1949x315 čiré MA-SR-PP-01R | X4Z180J49315MPPR | 1 | | |
| | Sklo 8,0x1949x365 čiré MA-SR-PP-02R | X4Z180J49365MPPR | | 1 | |
| | Sklo 8,0x1949x415 čiré MA-SR-PP-03R | X4Z180J49415MPPR | | | 1 |
| 102a | Sklo 6,0x1938x413 čiré MA-SR-D2-01L | X4Z160J38413MD2L | 1 | | |
| | Sklo 6,0x1938x463 čiré MA-SR-D2-02L | X4Z160J38463MD2L | | 1 | |
| | Sklo 6,0x1938x513 čiré MA-SR-D2-03L | X4Z160J38513MD2L | | | 1 |
| 102b | Sklo 6,0x1938x413 čiré MA-SR-D2-01R | X4Z160J38413MD2R | 1 | | |
| | Sklo 6,0x1938x463 čiré MA-SR-D2-02R | X4Z160J38463MD2R | | 1 | |
| | Sklo 6,0x1938x513 čiré MA-SR-D2-03R | X4Z160J38513MD2R | | | 1 |

| MSD2 – 100, 110, 120 L (R) | | | MSD2-100 L | MSD2-100 R | MSD2-110 L | MSD2-110 R | MSD2-120 L | MSD2-120 R |
|----------------------------|----------------------------------|--------------|----------------|------------|------------|------------|------------|------------|
| Číslo dílu: | Název: | SIČ: | Množství [ks]: | | | | | |
| 1 | Madlo Matrix komplet chrom | X3MA07S010A | 1 | 1 | 1 | 1 | 1 | 1 |
| 4 | Příložka skla komplet chrom | X3MA05S010A | 1 | 1 | 1 | 1 | 1 | 1 |
| 5a | Vodítko L komplet chrom | X3MA06S01LA | 1 | | 1 | | 1 | |
| 5b | Vodítko R komplet chrom | X3MA06S01RA | | 1 | | 1 | | 1 |
| 6a | Koncovka v.p. L chrom | X3MAZA001LA | 1 | 1 | 1 | 1 | 1 | 1 |
| 6b | Koncovka v.p. R chrom | X3MAZA001RA | 1 | 1 | 1 | 1 | 1 | 1 |
| 7 | Krytka pojezdu chrom | X3MAZA0090A | 2 | 2 | 2 | 2 | 2 | 2 |
| 8 | Krytka koncovky samolepící chrom | X8MAPL0020SA | 2 | 2 | 2 | 2 | 2 | 2 |
| 10 | Distanční podložka chrom | X8MAPL00100A | 1 | 1 | 1 | 1 | 1 | 1 |
| 12 | Koncovka p.l. přímá chrom | X8MAPL00400A | 1 | 1 | 1 | 1 | 1 | 1 |
| 14 | Záslepka 12 chrom | X8MAPL00800A | 1 | 1 | 1 | 1 | 1 | 1 |
| 17 + | Doraz Matrix - hl.díl chrom | X8MAPL00900A | 1 | 1 | 1 | 1 | 1 | 1 |
| + 18 | Doraz - vložka | X8BLPL136000 | 1 | 1 | 1 | 1 | 1 | 1 |
| 19 | Krytka šroubu dorazu Chrom | X8BLPL13700A | 1 | 1 | 1 | 1 | 1 | 1 |
| 20 | Pojezd Matrix komplet | X3MAD02S010A | 2 | 2 | 2 | 2 | 2 | 2 |
| 21 | Samolepící podložka 6x20 | X3MAD0600100 | 2 | 2 | 2 | 2 | 2 | 2 |
| 22 | Montážní podložka dveří | X3MAD0600200 | 2 | 2 | 2 | 2 | 2 | 2 |
| 23 | Montážní přípravek Matrix | X3MAD05S0100 | 1 | 1 | 1 | 1 | 1 | 1 |
| 24 | LDPE přířez 20x150/0,05mm modrý | X3MAD0600300 | 3 | 3 | 3 | 3 | 3 | 3 |
| 31 | Šroub M5x12 DIN 7984 | X90984050120 | 1 | 1 | 1 | 1 | 1 | 1 |
| 32 | Šroub M5x8 DIN 912 | X90912050080 | 2 | 2 | 2 | 2 | 2 | 2 |
| 33 | Podložka 5 DIN 9021 | X91021053150 | 2 | 2 | 2 | 2 | 2 | 2 |
| 34 | Šroub samořez 3,5x9,5 DIN 7981 | X97981035095 | 1 | 1 | 1 | 1 | 1 | 1 |
| 35 | Vrut do hmoždinky 5x50 DIN 96 | X94000050500 | 4 | 4 | 4 | 4 | 4 | 4 |

| MSD2 – 100, 110, 120 L (R) | | | MSD2-100 L | MSD2-100 R | MSD2-110 L | MSD2-110 R | MSD2-120 L | MSD2-120 R |
|-----------------------------------|--|---------------|-----------------------|-------------------|-------------------|-------------------|-------------------|-------------------|
| Číslo dílu: | Název: | SIČ: | Množství [ks]: | | | | | |
| 36 | Vrut do hmoždinky 4x40 DIN 96 | X94000040400 | 3 | 3 | 3 | 3 | 3 | 3 |
| 37 | Vrut do hmož. se záp. hl. 3,5x50 | X94000035500 | 3 | 3 | 3 | 3 | 3 | 3 |
| 38 | Hmoždinka MUNGO MU 8x50 | X206MU080500 | 4 | 4 | 4 | 4 | 4 | 4 |
| 39 | Hmoždinka prům. 6 | X20600060001 | 6 | 6 | 6 | 6 | 6 | 6 |
| 41 | Vodící profil 14718.04, 959 mm - Lesk | XVE71804U0959 | 1 | 1 | | | | |
| | Vodící profil 14718.04, 959 mm - Satin | XVE71804X0959 | 1 | 1 | | | | |
| | Vodící profil 14718.04, 959 mm - Bílá | XVE7180410959 | 1 | 1 | | | | |
| | Vodící profil 14718.05, 1059 mm - Lesk | XVE71805U1059 | | | 1 | 1 | | |
| | Vodící profil 14718.05, 1059 mm - Satin | XVE71805X1059 | | | 1 | 1 | | |
| | Vodící profil 14718.05, 1059 mm - Bílá | XVE7180511059 | | | 1 | 1 | | |
| | Vodící profil 14718.06, 1159 mm - Lesk | XVE71806U1159 | | | | | 1 | 1 |
| | Vodící profil 14718.06, 1159 mm - Satin | XVE71806X1159 | | | | | 1 | 1 |
| | Vodící profil 14718.06, 1159 mm - Bílá | XVE7180611159 | | | | | 1 | 1 |
| 42 | Ustavovací profil 14719.01, 1950 mm - Lesk | XVE71901U1950 | 1 | 1 | 1 | 1 | 1 | 1 |
| | Ustavovací profil 14719.01, 1950 mm - Satin | XVE71901X1950 | 1 | 1 | 1 | 1 | 1 | 1 |
| | Ustavovací profil 14719.01, 1950 mm - Bílá | XVE7190111950 | 1 | 1 | 1 | 1 | 1 | 1 |
| 43 | Prahová lišta 14720.04, 510 mm - Lesk | XVE72004U0510 | 1 | 1 | | | | |
| | Prahová lišta 14720.05, 560 mm - Lesk | XVE72005U0560 | | | 1 | 1 | | |
| | Prahová lišta 14720.06, 610 mm - Lesk | XVE72006U0610 | | | | | 1 | 1 |
| 44 | Nosič magnetu 14721.01, 1950 mm - Lesk | XVE72101U1950 | 1 | 1 | 1 | 1 | 1 | 1 |
| 51a + + 51b | Magnet ILPEA C1246 dl.1924 mm | } SET | X6C124600200 | 1 | 1 | 1 | 1 | 1 |
| | Magnet ILPEA C1246 dl.1950 mm | | X6C124600190 | 1 | 1 | 1 | 1 | 1 |
| 54a | Těsnící lišta PP-L, MA-PL-1402-01L | X8C14020001L | 1 | | 1 | | 1 | |
| 54b | Těsnící lišta PP-R, MA-PL-1402-01R | X8C14020001R | | 1 | | 1 | | 1 |

| MSD2 – 100, 110, 120 L (R) | | | MSD2-100 L | MSD2-100 R | MSD2-110 L | MSD2-110 R | MSD2-120 L | MSD2-120 R |
|-----------------------------------|--------------------------------------|------------------|-----------------------|-------------------|-------------------|-------------------|-------------------|-------------------|
| Číslo dílu: | Název: | SIČ: | Množství [ks]: | | | | | |
| 55a | Těsnící lišta D-L, MA-PL-1402-02L | X8C14020002L | 1 | | 1 | | 1 | |
| 55b | Těsnící lišta D-R, MA-PL-1402-02R | X8C14020002R | | 1 | | 1 | | 1 |
| 56 | Okapnička MA-PL-021-040, 526 mm | X8MAPL021040 | 1 | 1 | | | | |
| | Okapnička MA-PL-021-050, 576 mm | X8MAPL021050 | | | 1 | 1 | | |
| | Okapnička MA-PL-021-060, 626 mm | X8MAPL021060 | | | | | 1 | 1 |
| 57 | Zasklívací profil č.127, dl. 1950 mm | X8C700000100 | 1 | 1 | 1 | 1 | 1 | 1 |
| 101a | Sklo 8,0x1949x445 čiré MA-SR-PP-04L | X4Z180J49445MPPL | 1 | | | | | |
| | Sklo 8,0x1949x495 čiré MA-SR-PP-05L | X4Z180J49495MPPL | | | 1 | | | |
| | Sklo 8,0x1949x545 čiré MA-SR-PP-06L | X4Z180J49545MPPL | | | | | 1 | |
| 101b | Sklo 8,0x1949x445 čiré MA-SR-PP-04R | X4Z180J49445MPPR | | 1 | | | | |
| | Sklo 8,0x1949x495 čiré MA-SR-PP-05R | X4Z180J49495MPPR | | | | 1 | | |
| | Sklo 8,0x1949x545 čiré MA-SR-PP-06R | X4Z180J49545MPPR | | | | | | 1 |
| 102a | Sklo 6,0x1938x518 čiré MA-SR-D1-01L | X4Z160J38518MD1L | 1 | | | | | |
| | Sklo 6,0x1938x568 čiré MA-SR-D1-02L | X4Z160J38568MD1L | | | 1 | | | |
| | Sklo 6,0x1938x618 čiré MA-SR-D1-03L | X4Z160J38618MD1L | | | | | 1 | |
| 102b | Sklo 6,0x1938x518 čiré MA-SR-D1-01R | X4Z160J38518MD1R | | 1 | | | | |
| | Sklo 6,0x1938x568 čiré MA-SR-D1-02R | X4Z160J38568MD1R | | | | 1 | | |
| | Sklo 6,0x1938x618 čiré MA-SR-D1-03R | X4Z160J38618MD1R | | | | | | 1 |

MSDPS – 100/80, 100/100, 110/80, 120/80, 120/90 L (R)



| MSDPS – 100/80, 100/100, 110/80, 120/80, 120/90 L (R) | | | MSDPS 100/80 L | MSDPS 100/80 R | MSDPS 100/100 L | MSDPS 100/100 R | MSDPS 110/80 L | MSDPS 110/80 R | MSDPS 120/80 L | MSDPS 120/80 R | MSDPS 120/90 L | MSDPS 120/90 R |
|--|----------------------------------|--------------|-------------------|-------------------|--------------------|--------------------|-------------------|-------------------|-------------------|-------------------|-------------------|-------------------|
| Číslo dílu: | Název: | SIČ: | Množství [ks]: | | | | | | | | | |
| 1 | Madlo Matrix komplet chrom | X3MA07S010A | 1 | 1 | 1 | 1 | 1 | 1 | 1 | 1 | 1 | 1 |
| 2a | Spojka PS-L komplet chrom | X3MA03S01LA | | 1 | | 1 | | 1 | | 1 | | 1 |
| 2b | Spojka PS-R komplet chrom | X3MA03S01RA | 1 | | 1 | | 1 | | 1 | | 1 | |
| 4 | Příložka skla komplet chrom | X3MA05S010A | 1 | 1 | 1 | 1 | 1 | 1 | 1 | 1 | 1 | 1 |
| 5a | Vodítko L komplet chrom | X3MA06S01LA | 1 | | 1 | | 1 | | 1 | | 1 | |
| 5b | Vodítko R komplet chrom | X3MA06S01RA | | 1 | | 1 | | 1 | | 1 | | 1 |
| 6a | Koncovka v.p. L chrom | X3MAZA001LA | 1 | | 1 | | 1 | | 1 | | 1 | |
| 6b | Koncovka v.p. R chrom | X3MAZA001RA | | 1 | | 1 | | 1 | | 1 | | 1 |
| 7 | Krytka pojezdu chrom | X3MAZA0090A | 2 | 2 | 2 | 2 | 2 | 2 | 2 | 2 | 2 | 2 |
| 8 | Krytka koncovky samolepící chrom | X8MAPL0020SA | 2 | 2 | 2 | 2 | 2 | 2 | 2 | 2 | 2 | 2 |
| 10 | Distanční podložka chrom | X8MAPL00100A | 1 | 1 | 1 | 1 | 1 | 1 | 1 | 1 | 1 | 1 |
| 13a | Koncovka p.l. PS-L chrom | X8MAPL005L0A | | 1 | | 1 | | 1 | | 1 | | 1 |
| 13b | Koncovka p.l. PS-R chrom | X8MAPL005R0A | 1 | | 1 | | 1 | | 1 | | 1 | |
| 14 | Záslepka 12 chrom | X8MAPL00800A | 1 | 1 | 1 | 1 | 1 | 1 | 1 | 1 | 1 | 1 |
| 17 + | Doraz Matrix - hl.díl chrom | X8MAPL00900A | 1 | 1 | 1 | 1 | 1 | 1 | 1 | 1 | 1 | 1 |
| + 18 | Doraz - vložka | X8BLPL136000 | 1 | 1 | 1 | 1 | 1 | 1 | 1 | 1 | 1 | 1 |
| 19 | Krytka šroubu dorazu Chrom | X8BLPL13700A | 1 | 1 | 1 | 1 | 1 | 1 | 1 | 1 | 1 | 1 |
| 20 | Pojezd Matrix komplet | X3MAD02S010A | 2 | 2 | 2 | 2 | 2 | 2 | 2 | 2 | 2 | 2 |
| 21 | Samolepící podložka 6x20 | X3MAD0600100 | 4 | 4 | 4 | 4 | 4 | 4 | 4 | 4 | 4 | 4 |
| 22 | Montážní podložka dveří | X3MAD0600200 | 2 | 2 | 2 | 2 | 2 | 2 | 2 | 2 | 2 | 2 |
| 23 | Montážní přípravek Matrix | X3MAD05S0100 | 1 | 1 | 1 | 1 | 1 | 1 | 1 | 1 | 1 | 1 |
| 24 | LDPE přířez 20x150/0,05mm modrý | X3MAD0600300 | 6 | 6 | 6 | 6 | 6 | 6 | 6 | 6 | 6 | 6 |
| 31 | Šroub M5x12 DIN 7984 | X90984050120 | 1 | 1 | 1 | 1 | 1 | 1 | 1 | 1 | 1 | 1 |

| MSDPS – 100/80, 100/100, 110/80, 120/80, 120/90 L (R) | | | MSDPS 100/80 L | MSDPS 100/80 R | MSDPS 100/100 L | MSDPS 100/100 R | MSDPS 110/80 L | MSDPS 110/80 R | MSDPS 120/80 L | MSDPS 120/80 R | MSDPS 120/90 L | MSDPS 120/90 R |
|--|--|---------------|-------------------|-------------------|--------------------|--------------------|-------------------|-------------------|-------------------|-------------------|-------------------|-------------------|
| Číslo dílu: | Název: | SIČ: | Množství [ks]: | | | | | | | | | |
| 32 | Šroub M5x8 DIN 912 | X90912050080 | 2 | 2 | 2 | 2 | 2 | 2 | 2 | 2 | 2 | 2 |
| 33 | Podložka 5 DIN 9021 | X91021053150 | 2 | 2 | 2 | 2 | 2 | 2 | 2 | 2 | 2 | 2 |
| 34 | Šroub samořez 3,5x9,5 DIN 7981 | X97981035095 | 1 | 1 | 1 | 1 | 1 | 1 | 1 | 1 | 1 | 1 |
| 35 | Vrut do hmoždinky 5x50 DIN 96 | X94000050500 | 2 | 2 | 2 | 2 | 2 | 2 | 2 | 2 | 2 | 2 |
| 36 | Vrut do hmoždinky 4x40 DIN 96 | X94000040400 | 6 | 6 | 6 | 6 | 6 | 6 | 6 | 6 | 6 | 6 |
| 38 | Hmoždinka MUNGO MU 8x50 | X206MU080500 | 2 | 2 | 2 | 2 | 2 | 2 | 2 | 2 | 2 | 2 |
| 39 | Hmoždinka prům. 6 | X20600060001 | 6 | 6 | 6 | 6 | 6 | 6 | 6 | 6 | 6 | 6 |
| 41 | Vodící profil 14718.07, 959 mm - Lesk | XVE71807U0959 | 1 | 1 | 1 | 1 | | | | | | |
| | Vodící profil 14718.07, 959 mm - Satin | XVE71807X0959 | 1 | 1 | 1 | 1 | | | | | | |
| | Vodící profil 14718.07, 959 mm - Bílá | XVE7180710959 | 1 | 1 | 1 | 1 | | | | | | |
| | Vodící profil 14718.08, 1059 mm - Lesk | XVE71808U1059 | | | | | 1 | 1 | | | | |
| | Vodící profil 14718.08, 1059 mm - Satin | XVE71808X1059 | | | | | 1 | 1 | | | | |
| | Vodící profil 14718.08, 1059 mm - Bílá | XVE7180811059 | | | | | 1 | 1 | | | | |
| | Vodící profil 14718.09, 1159 mm - Lesk | XVE71809U1159 | | | | | | | 1 | 1 | 1 | 1 |
| | Vodící profil 14718.09, 1159 mm - Satin | XVE71809X1159 | | | | | | | 1 | 1 | 1 | 1 |
| | Vodící profil 14718.09, 1159 mm - Bílá | XVE7180911159 | | | | | | | 1 | 1 | 1 | 1 |
| 42 | Ustavovací profil 14719.01, 1950 mm - Lesk | XVE71901U1950 | 2 | 2 | 2 | 2 | 2 | 2 | 2 | 2 | 2 | 2 |
| | Ustavovací profil 14719.01, 1950 mm - Satin | XVE71901X1950 | 2 | 2 | 2 | 2 | 2 | 2 | 2 | 2 | 2 | 2 |
| | Ustavovací profil 14719.01, 1950 mm - Bílá | XVE7190111950 | 2 | 2 | 2 | 2 | 2 | 2 | 2 | 2 | 2 | 2 |
| 43 | Prahová lišta 14720.07, 520 mm - Lesk | XVE72007U0520 | 1 | 1 | 1 | 1 | | | | | | |
| | Prahová lišta 14720.08, 570 mm - Lesk | XVE72008U0570 | | | | | 1 | 1 | | | | |
| | Prahová lišta 14720.09, 620 mm - Lesk | XVE72009U0620 | | | | | | | 1 | 1 | 1 | 1 |
| 51a + + 53 | Magnet ILPEA C1246 dl.1924 mm | } SET | X6C124600200 | 1 | 1 | 1 | 1 | 1 | 1 | 1 | 1 | 1 |
| | Magnet ILPEA C1272 dl.1950 mm | | X6C127200100 | 1 | 1 | 1 | 1 | 1 | 1 | 1 | 1 | 1 |

| MSDPS – 100/80, 100/100, 110/80, 120/80, 120/90 L (R) | | | MSDPS 100/80 L | MSDPS 100/80 R | MSDPS 100/100 L | MSDPS 100/100 R | MSDPS 110/80 L | MSDPS 110/80 R | MSDPS 120/80 L | MSDPS 120/80 R | MSDPS 120/90 L | MSDPS 120/90 R |
|--|--------------------------------------|------------------|-------------------|-------------------|--------------------|--------------------|-------------------|-------------------|-------------------|-------------------|-------------------|-------------------|
| Číslo dílu: | Název: | SIČ: | Množství [ks]: | | | | | | | | | |
| 54a | Těsnící lišta PP-L, MA-PL-1402-01L | X8C14020001L | 1 | | 1 | | 1 | | 1 | | 1 | |
| 54b | Těsnící lišta PP-R, MA-PL-1402-01R | X8C14020001R | | 1 | | 1 | | 1 | | 1 | | 1 |
| 55a | Těsnící lišta D-L, MA-PL-1402-02L | X8C14020002L | 1 | | 1 | | 1 | | 1 | | 1 | |
| 55b | Těsnící lišta D-R, MA-PL-1402-02R | X8C14020002R | | 1 | | 1 | | 1 | | 1 | | 1 |
| 56 | Okapnička MA-PL-021-040, 526 mm | X8MAPL021040 | 1 | 1 | 1 | 1 | | | | | | |
| | Okapnička MA-PL-021-050, 576 mm | X8MAPL021050 | | | | | 1 | 1 | | | | |
| | Okapnička MA-PL-021-060, 626 mm | X8MAPL021060 | | | | | | | 1 | 1 | 1 | 1 |
| 57 | Zasklívací profil č.127, dl. 1950 mm | X8C700000100 | 2 | 2 | 2 | 2 | 2 | 2 | 2 | 2 | 2 | 2 |
| 101a | Sklo 8,0x1949x445 čiré MA-SR-PP-04L | X4Z180J49445MPPL | 1 | | 1 | | | | | | | |
| | Sklo 8,0x1949x495 čiré MA-SR-PP-05L | X4Z180J49495MPPL | | | | | 1 | | | | | |
| | Sklo 8,0x1949x545 čiré MA-SR-PP-06L | X4Z180J49545MPPL | | | | | | | 1 | | 1 | |
| 101b | Sklo 8,0x1949x445 čiré MA-SR-PP-04R | X4Z180J49445MPPR | | 1 | | 1 | | | | | | |
| | Sklo 8,0x1949x495 čiré MA-SR-PP-05R | X4Z180J49495MPPR | | | | | | 1 | | | | |
| | Sklo 8,0x1949x545 čiré MA-SR-PP-06R | X4Z180J49545MPPR | | | | | | | | 1 | | 1 |
| 102a | Sklo 6,0x1938x518 čiré MA-SR-D1-01L | X4Z160J38518MD1L | 1 | | 1 | | | | | | | |
| | Sklo 6,0x1938x568 čiré MA-SR-D1-02L | X4Z160J38568MD1L | | | | | 1 | | | | | |
| | Sklo 6,0x1938x618 čiré MA-SR-D1-03L | X4Z160J38618MD1L | | | | | | | 1 | | 1 | |
| 102b | Sklo 6,0x1938x518 čiré MA-SR-D1-01R | X4Z160J38518MD1R | | 1 | | 1 | | | | | | |
| | Sklo 6,0x1938x568 čiré MA-SR-D1-02R | X4Z160J38568MD1R | | | | | | 1 | | | | |
| | Sklo 6,0x1938x618 čiré MA-SR-D1-03R | X4Z160J38618MD1R | | | | | | | | 1 | | 1 |
| 103a | Sklo 8,0x1949x729 čiré MA-SR-PS-01L | X4Z180J49729MPSL | | 1 | | | | 1 | | 1 | | |
| | Sklo 8,0x1949x829 čiré MA-SR-PS-02L | X4Z180J49829MPSL | | | | | | | | | | 1 |
| | Sklo 8,0x1949x929 čiré MA-SR-PS-03L | X4Z180J49929MPSL | | | | 1 | | | | | | |

| MSDPS – 100/80, 100/100, 110/80, 120/80, 120/90 L (R) | | | MSDPS 100/80 L | MSDPS 100/80 R | MSDPS 100/100 L | MSDPS 100/100 R | MSDPS 110/80 L | MSDPS 110/80 R | MSDPS 120/80 L | MSDPS 120/80 R | MSDPS 120/90 L | MSDPS 120/90 R |
|--|-------------------------------------|------------------|-------------------|-------------------|--------------------|--------------------|-------------------|-------------------|-------------------|-------------------|-------------------|-------------------|
| Číslo dílu: | Název: | SIČ: | Množství [ks]: | | | | | | | | | |
| 103b | Sklo 8,0x1949x729 čiré MA-SR-PS-01R | X4Z180J49729MPSR | 1 | | | | 1 | | 1 | | | |
| | Sklo 8,0x1949x829 čiré MA-SR-PS-02R | X4Z180J49829MPSR | | | | | | | | | 1 | |
| | Sklo 8,0x1949x929 čiré MA-SR-PS-03R | X4Z180J49929MPSR | | | 1 | | | | | | | |

RAVAK a.s., Obecnická 285, 261 01 Příbram I, ČR
tel.: +420 318 427 111, fax: +420 318 427 278, e-mail: info@ravak.cz, web: www.ravak.cz

RAVAK SLOVAKIA spol. s r.o., Einsteinová 11, 851 01 Bratislava
tel.: +421 2 / 444 550 01, fax: +421 2 / 444 550 02, e-mail: obchod@ravak.sk, web: www.ravak.sk

RAVAK POLSKA s.a., Kałęczyn 2B, ul. Radziejowicka 12, 05-825 Grodzisk Mazowiecki, POLSKA
tel.: 22 / 755 40 30, fax: 22 / 755 43 90, e-mail: info@ravak.pl, web: www.ravak.pl

RAVAK Hungary Kft., 1142 Budapest, Erzsébet királyné útja 125, HUNGARY
tel.: 06 (1) 223 13 15, 06 (1) 223 13 16, fax: 06 (1) 223 13 14, e-mail: info@ravak.hu, web: www.ravak.hu

Ravak Gesellschaft für Sanitärprodukte mbH, Alexanderstrasse 58, D - 45472 Mülheim an der Ruhr
tel. (0208) 37789-30, fax. (0208) 37789-55, e-mail: info@ravak.de, web: www.ravak.de

RAVAK a.s., Representative Office in Ukraine, 21 Dniprovská Naberezhna str., 2nd floor, 02081, Kyiv, Ukraine
tel.: 00380 44 2203232, 00380 44 3605200, fax: 00380 44 2204343, e-mail: ravak@ravak.kiev.ua, web: www.ravak.ua

OOO RAVAK ru, ul. Staropetrovskiy pr. 7A, Moskva 125 130,
tel./fax: 007 495 710 82 23, 007 495 450 12 77, e-mail: ravak@inbox.ru, web: www.ravak.com

RAVAK Baltic, Butrimonių g. 5, Kaunas, Lietuva,
tel.: +370 37 328013, faks: +370 37 328016 El. paštas: info@ravak.lt

RAVAK®

RAVAK a.s., Obecnická 285, 261 01 Příbram I
tel.: +420 318 427 200, 318 427 111 fax: +420 318 427 269
e-mail: info@ravak.cz, www.ravak.com

Výrobce si vyhrazuje právo změny ceny, technických parametrů, či dalších skutečností bez předchozího upozornění a nenese odpovědnost za tiskové chyby.