

# WALL BRACKETS

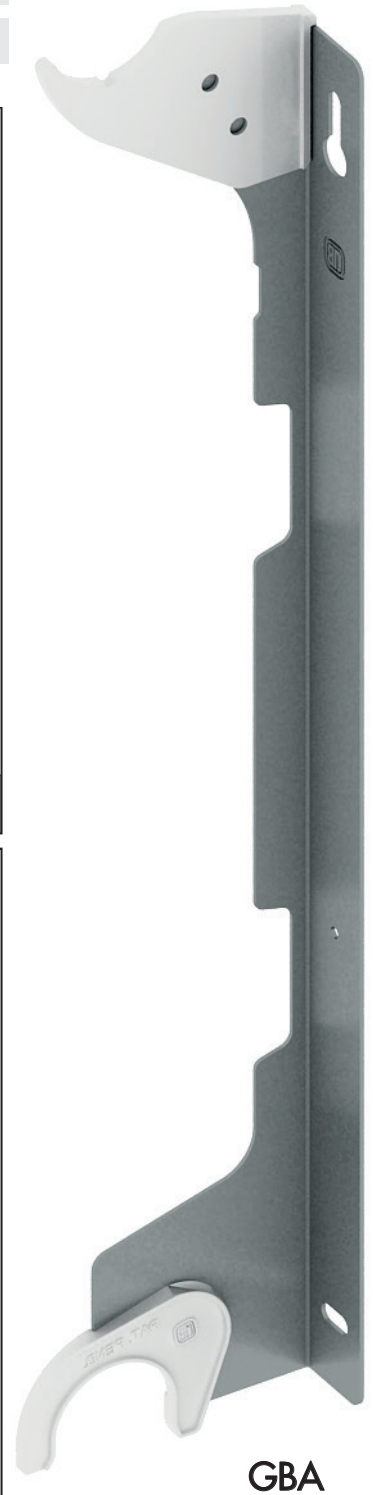
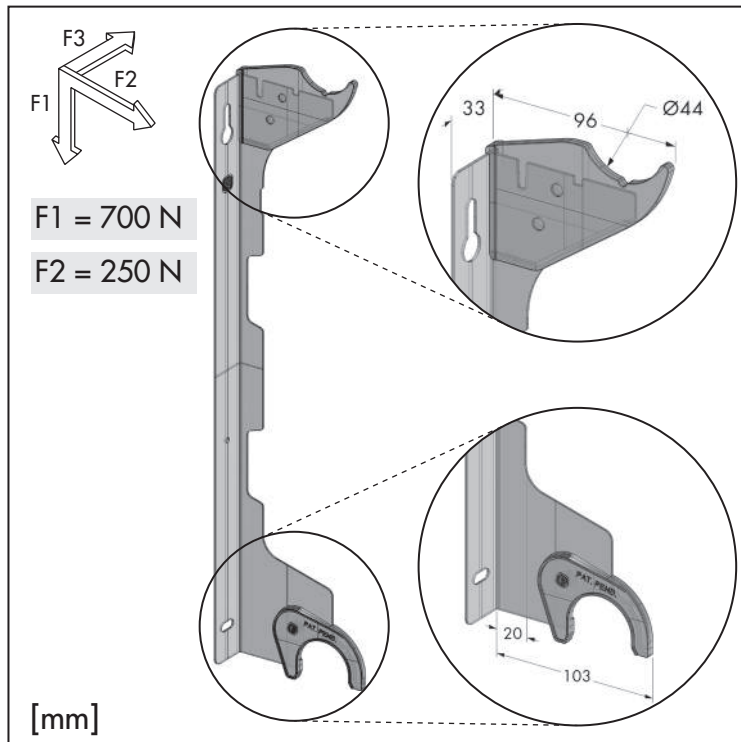
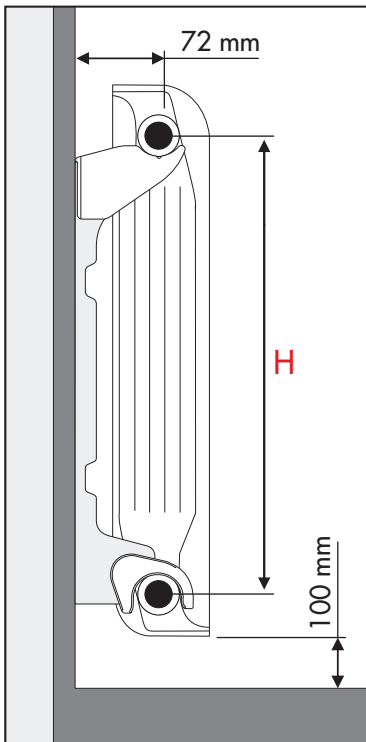
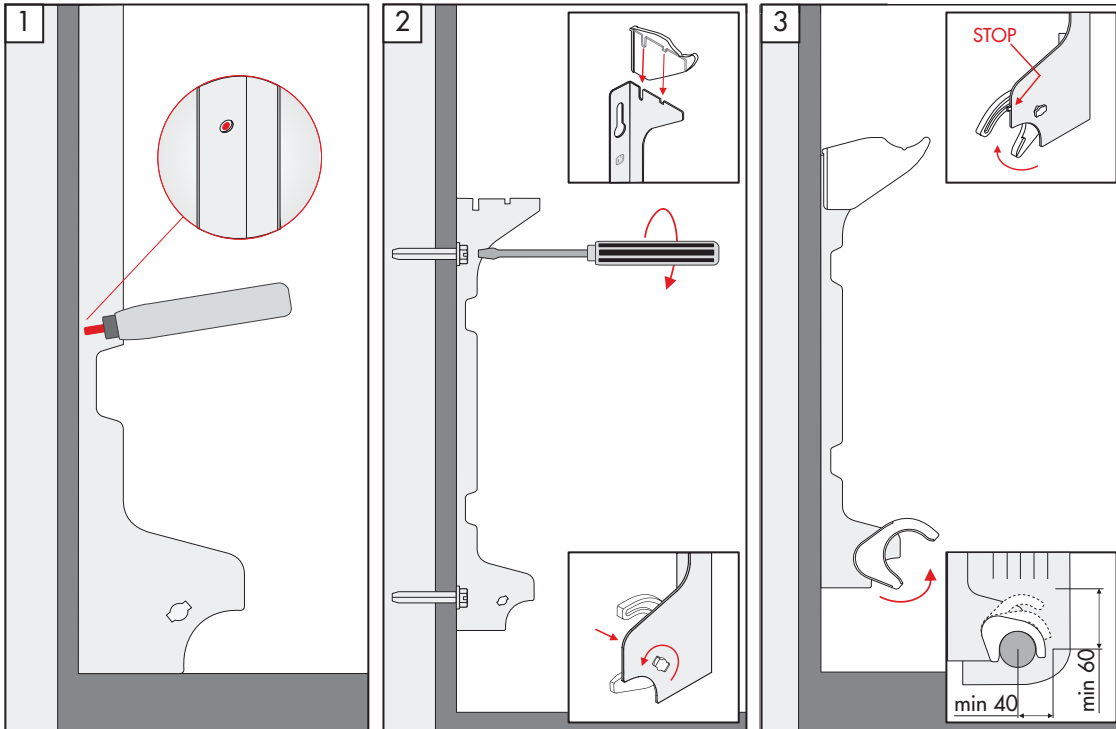
QUICK-MOUNTING BRACKETS WITH ANTI-LIFT MECHANISM

CODE

CODE	Description				
60851350	Set of 2 GBA wall brackets for H=350 mm +	50	600		
60851500	Set of 2 GBA wall brackets for H=500 mm +	25	500		
60851600	Set of 2 GBA wall brackets for H=600 mm +	25	500		
60851700	Set of 2 GBA wall brackets for H=700 mm +	25	300		
60851800	Set of 2 GBA wall brackets for H=800 mm +	25	300		



N° VA\_MES 15 02 051



GBA

