

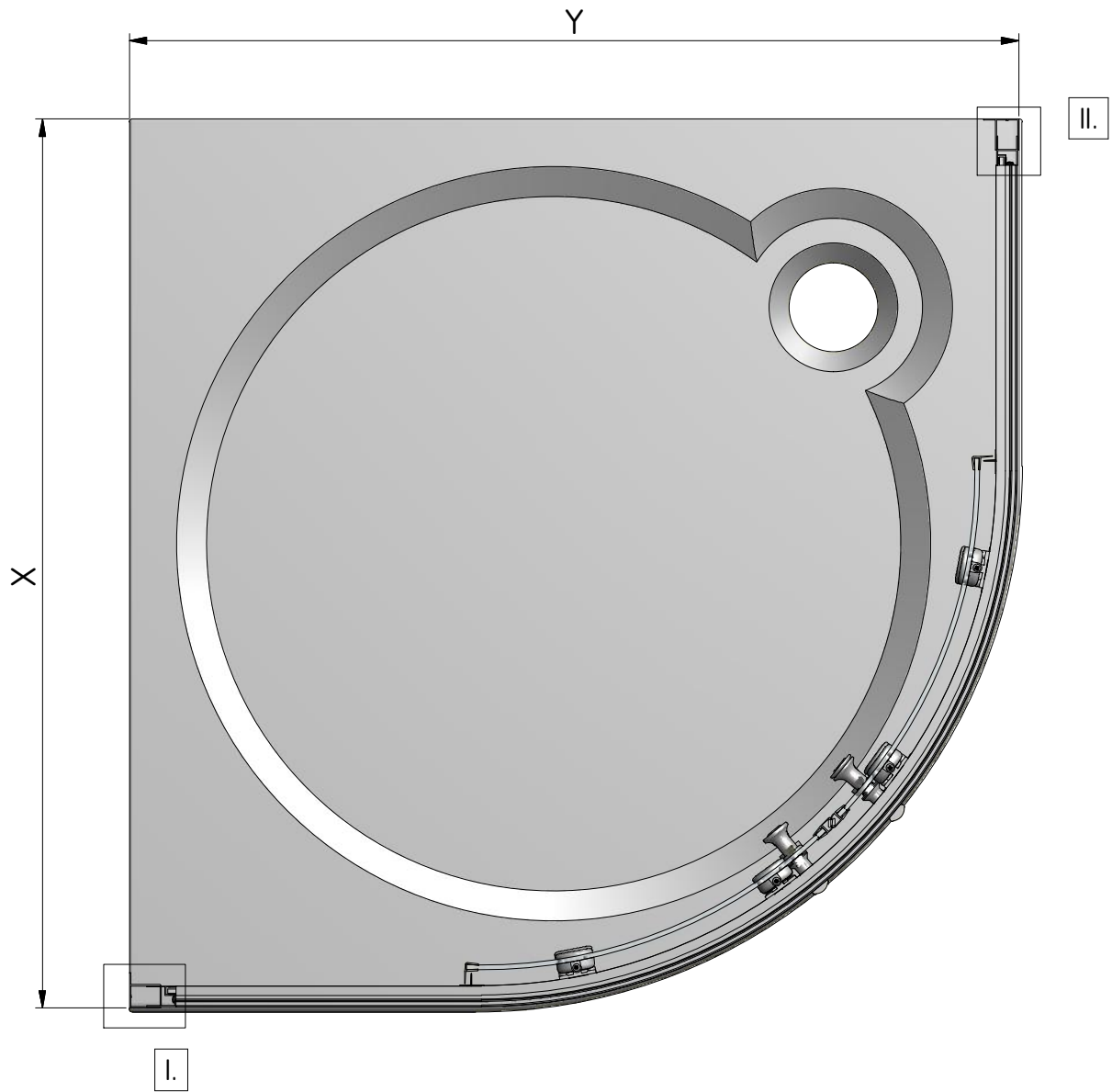


**PLANO**

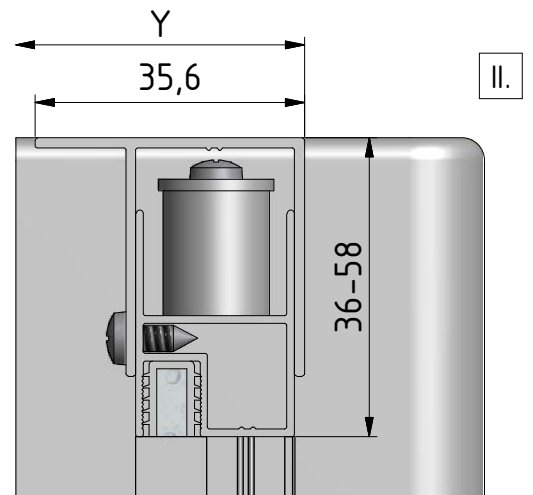
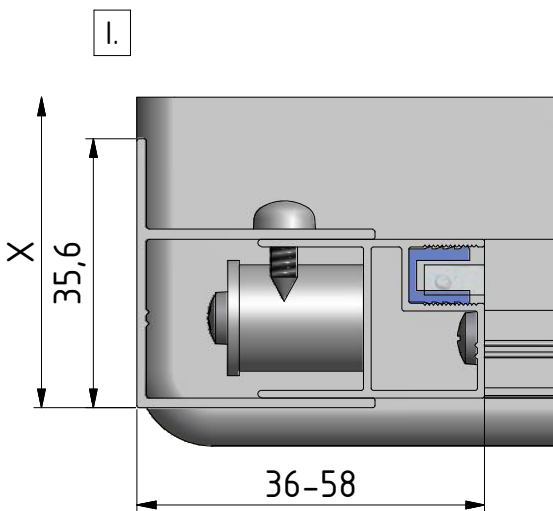
# DAVOS

## Model: DPR2





·	X (MIN-MAX) mm	Y (MIN-MAX) mm
800	776-798	776-798
900	876-898	876-898



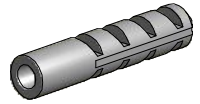
1. 1x



2. 2x  
(P281)



3. 6x (M0511)



4. 6x (M3372)

Ø3,5x25



6. 6x (M0806)

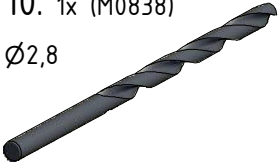
Ø3,5x9,5



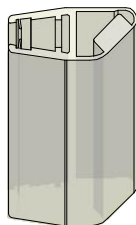
7. 12x  
(MA0511)



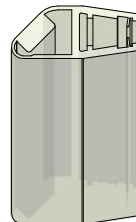
10. 1x (M0838)  
Ø2,8



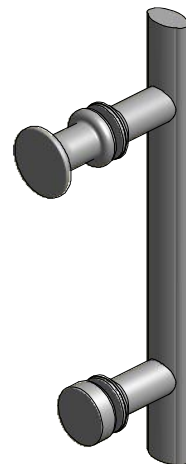
12. 1x  
(MA2020)



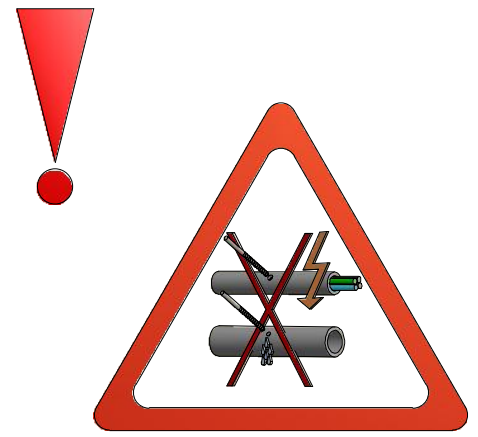
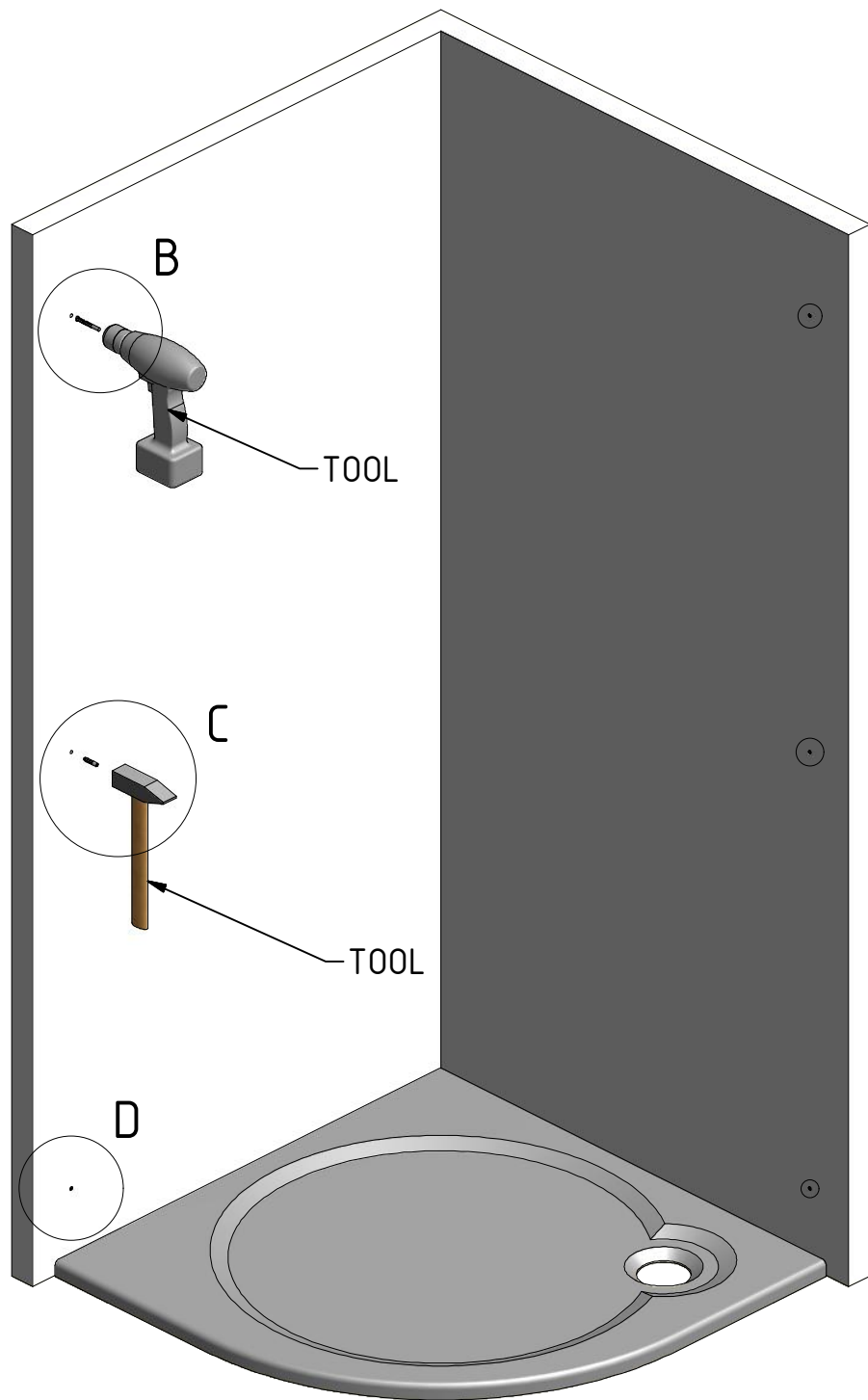
13. 1x  
(MA2021)



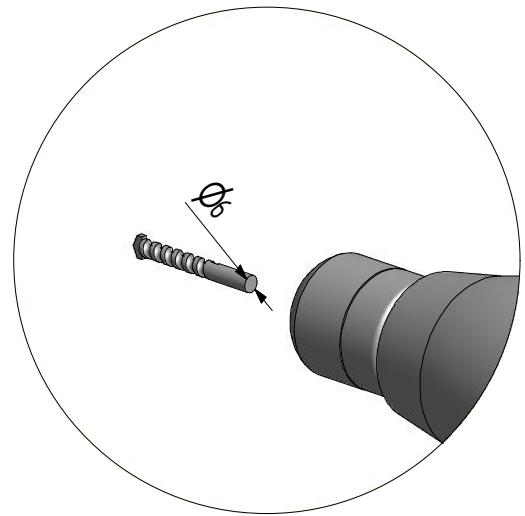
14. 2x  
(MA0068)



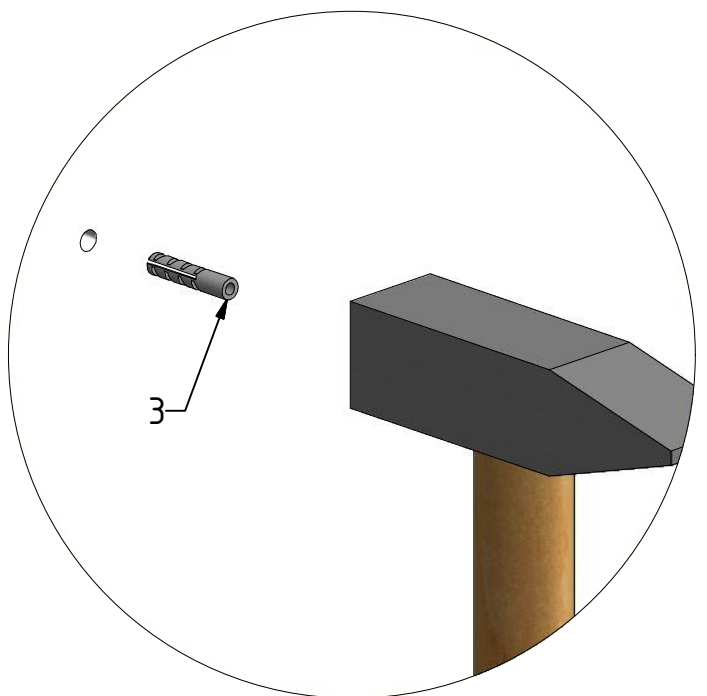




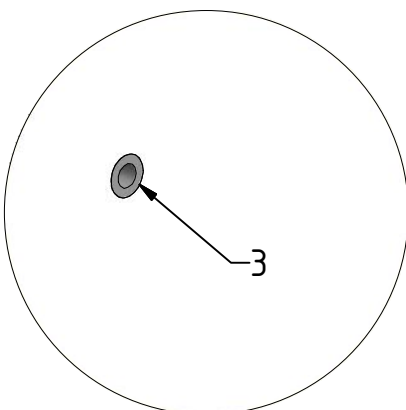
**B** 6x

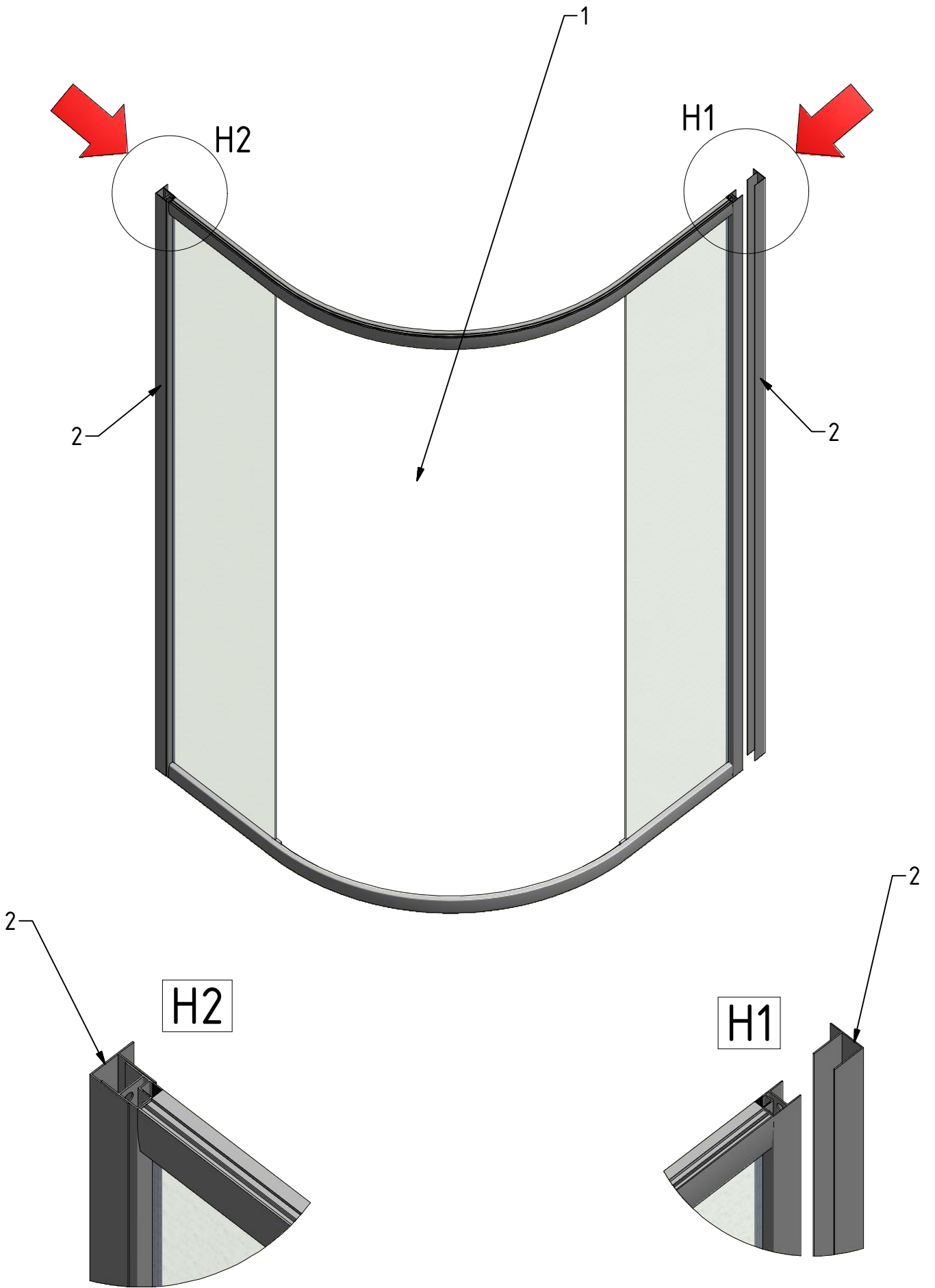


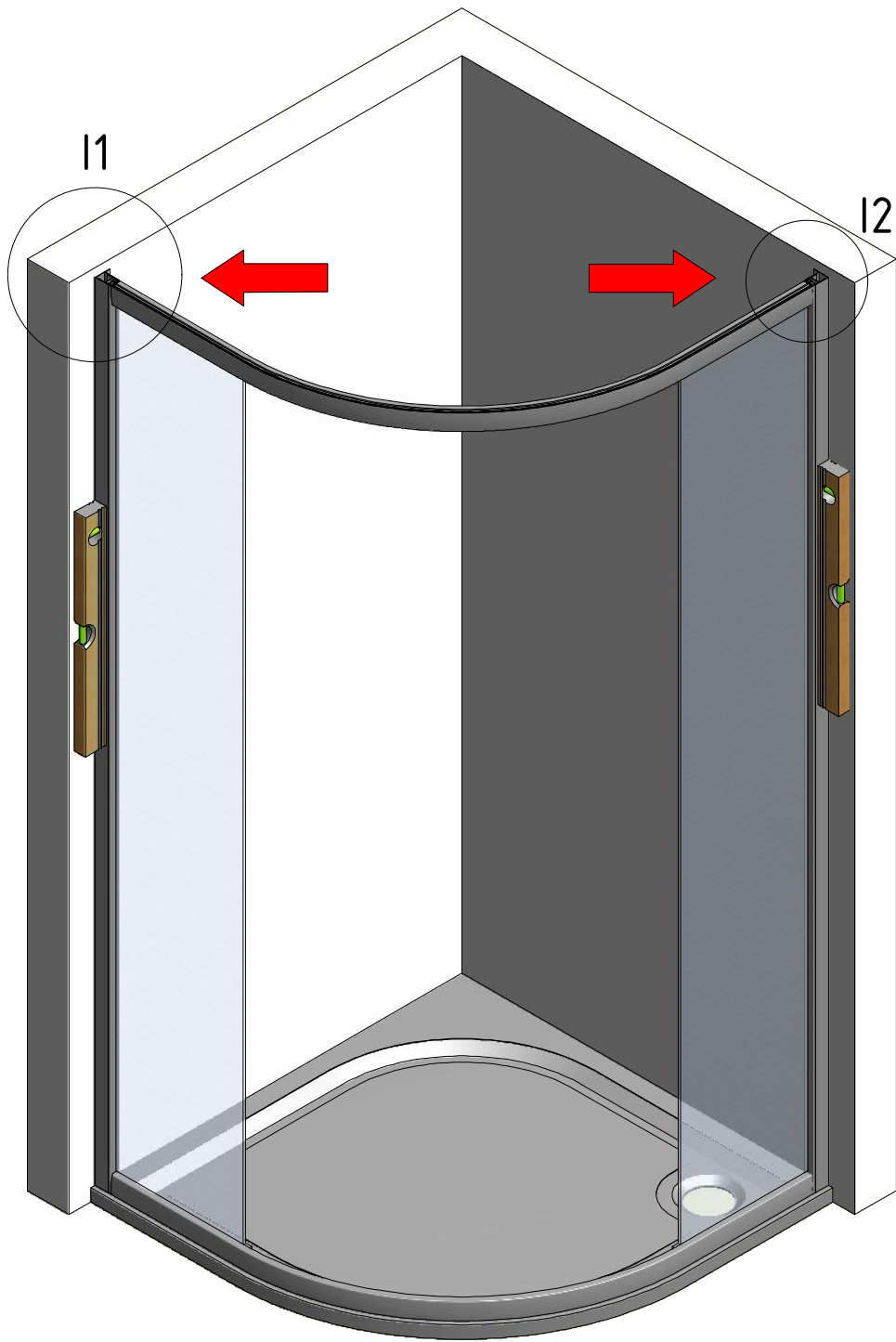
**C** 6x



**D** 6x

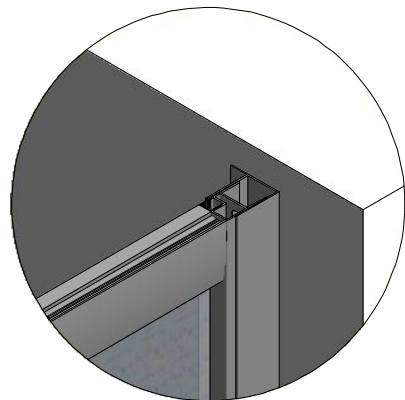
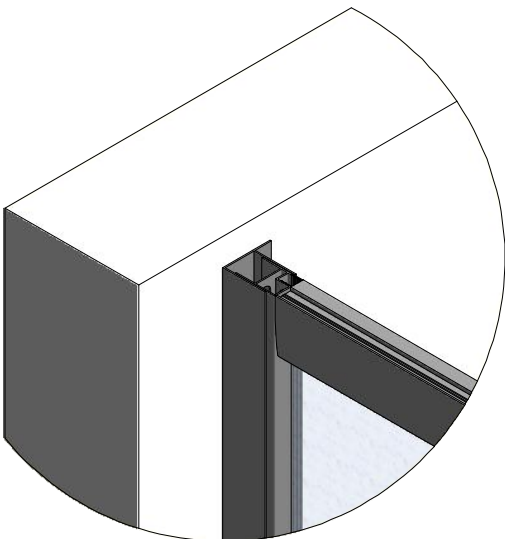


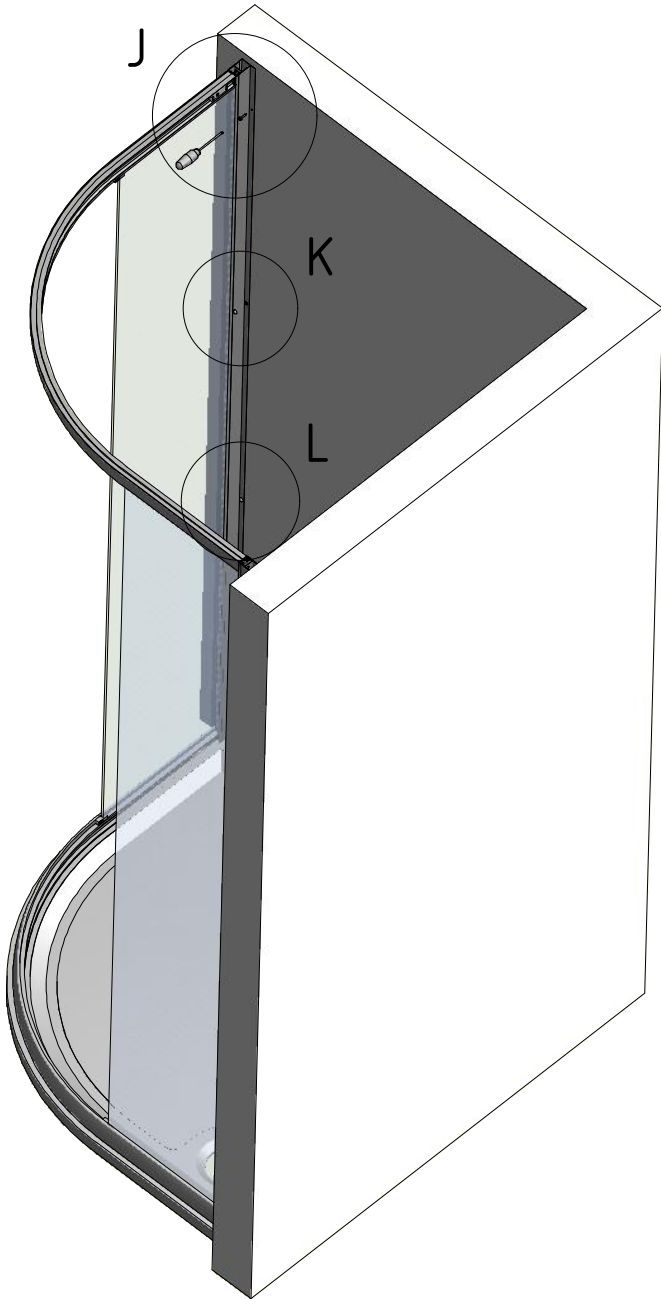




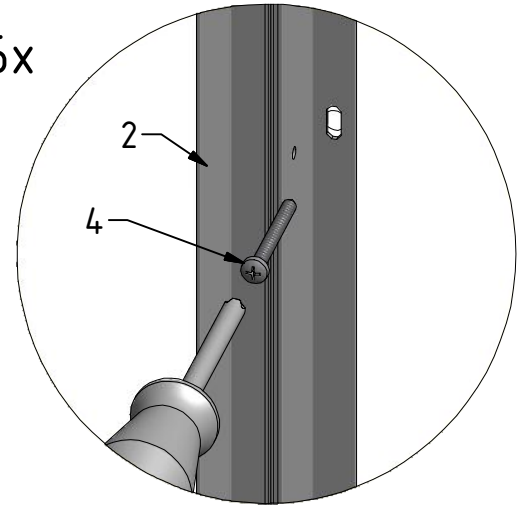
I1

I2

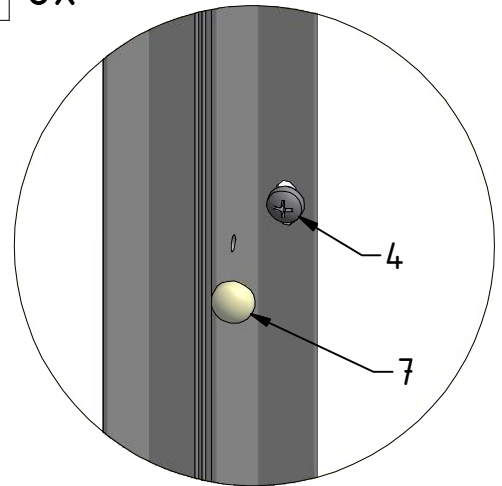




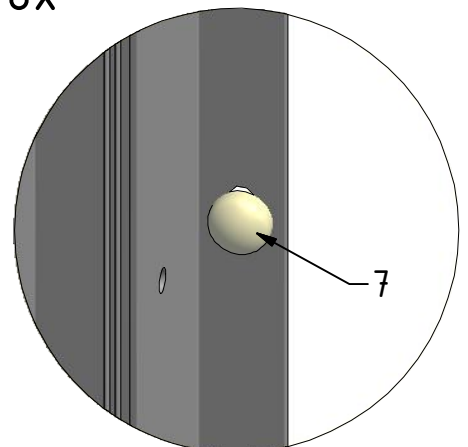
J 6x



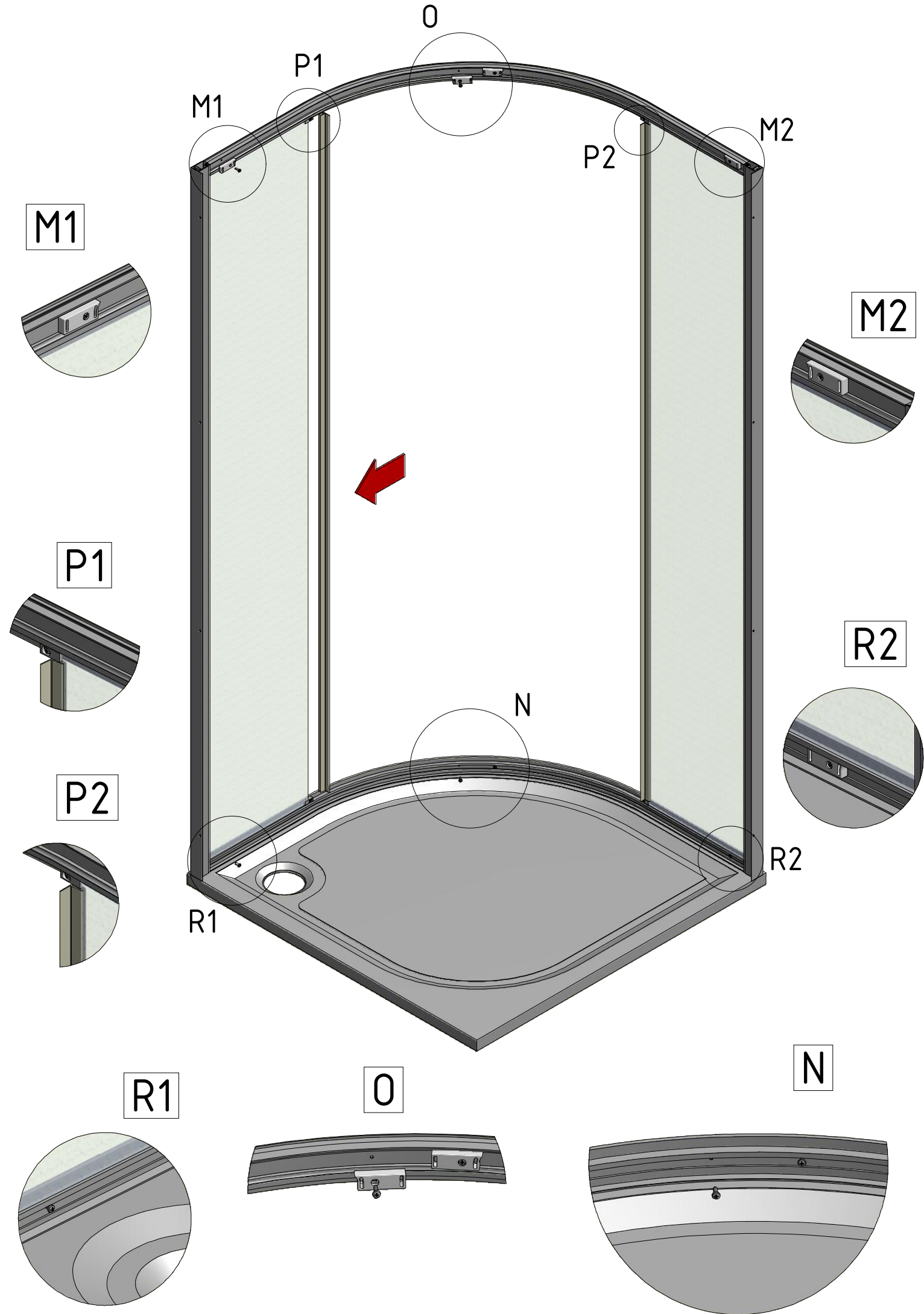
K 6x



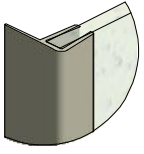
L 6x



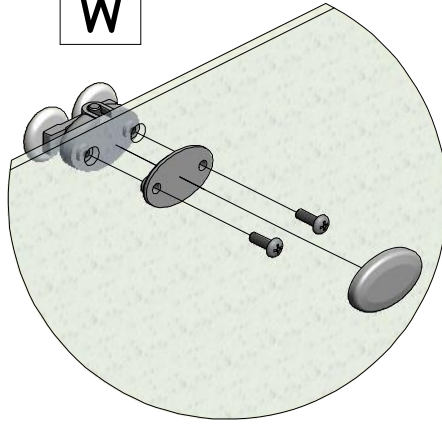




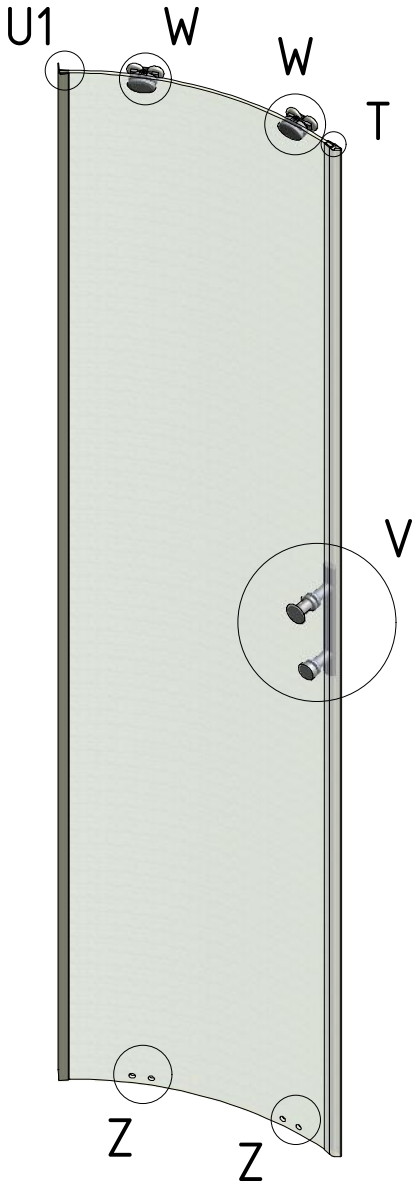
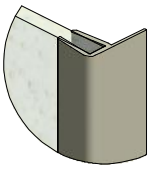
U1



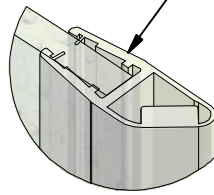
W



U2

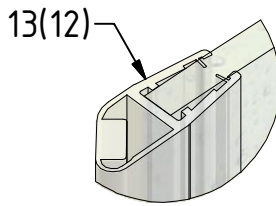


T



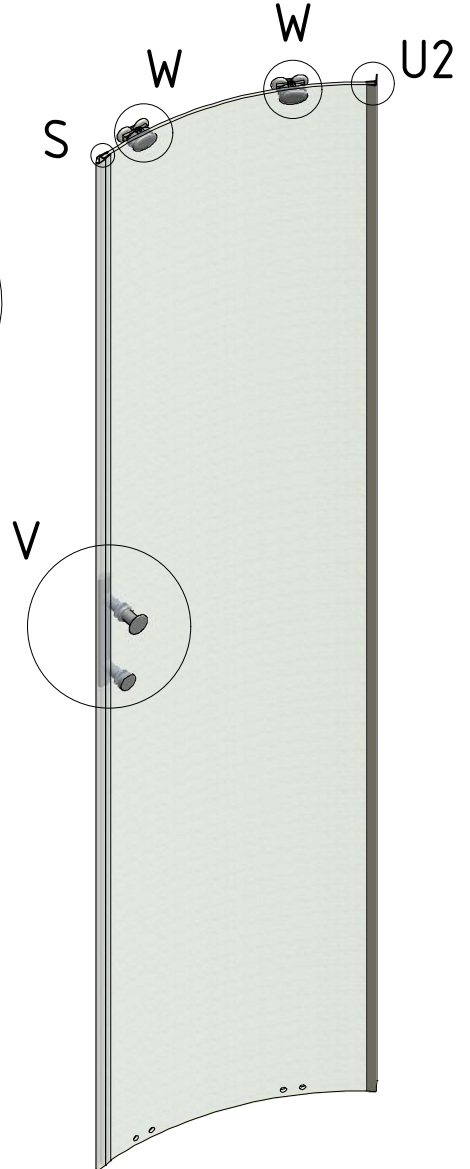
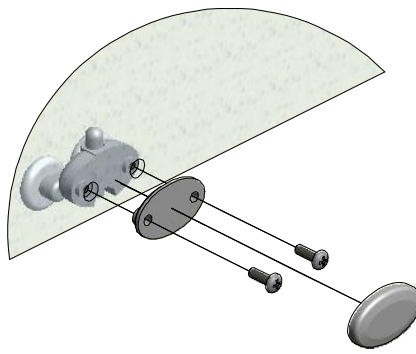
12(13)

S

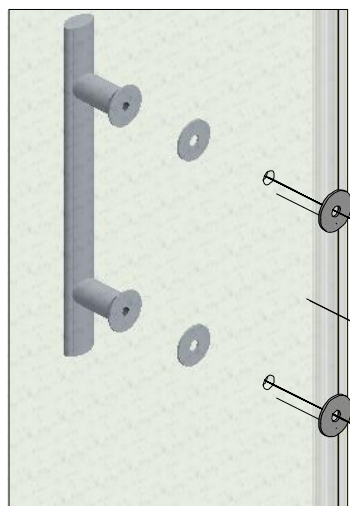


13(12)

Z

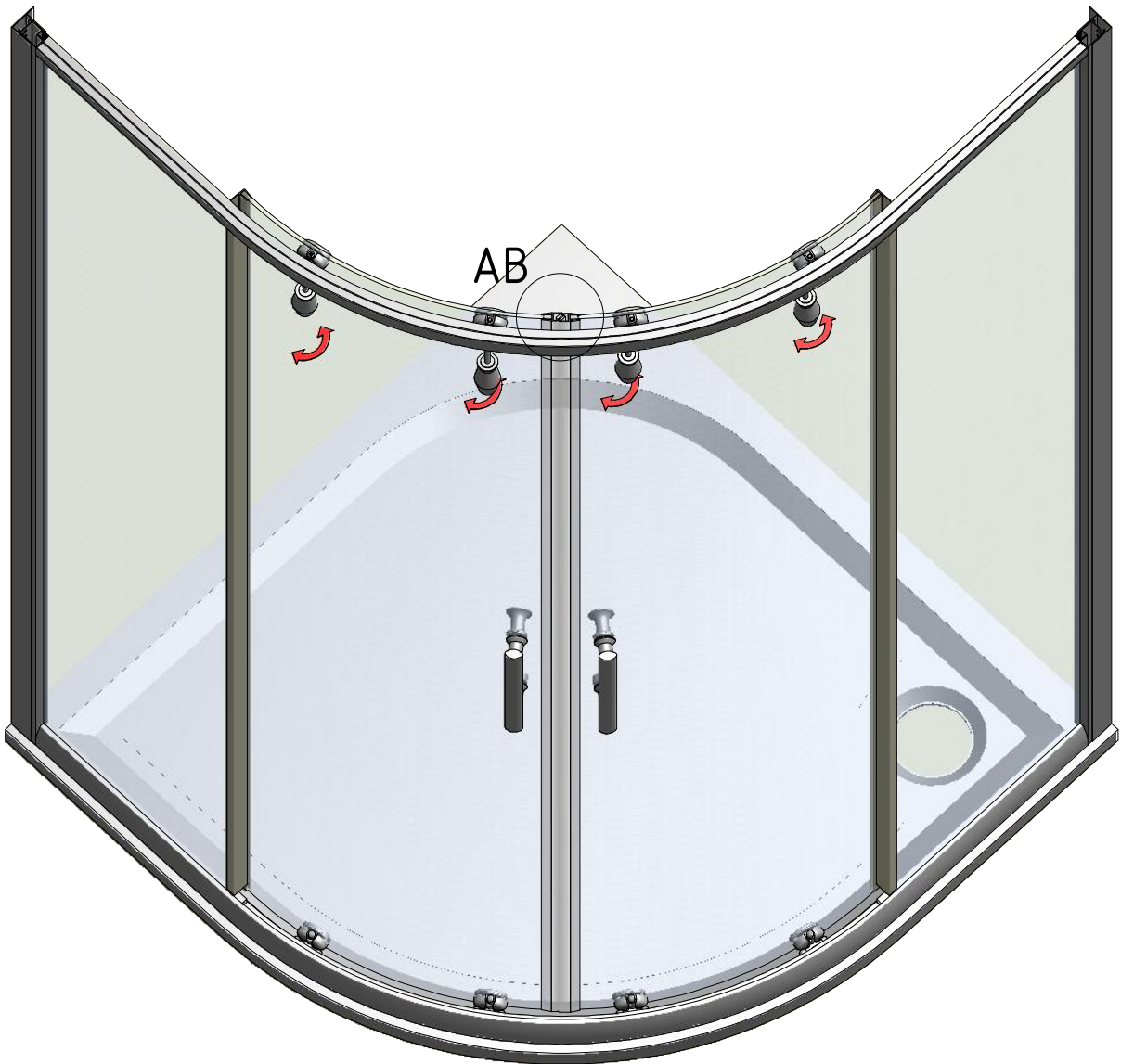
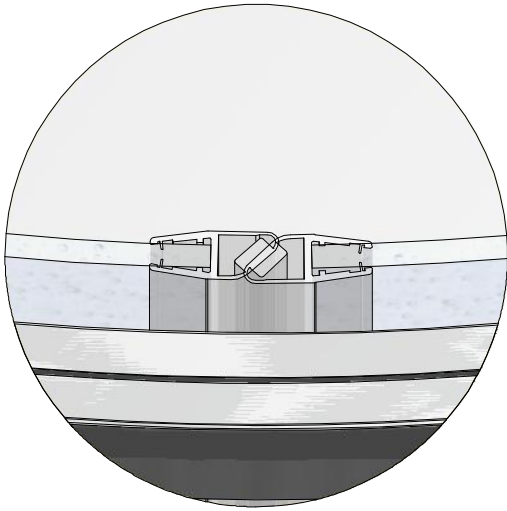


V

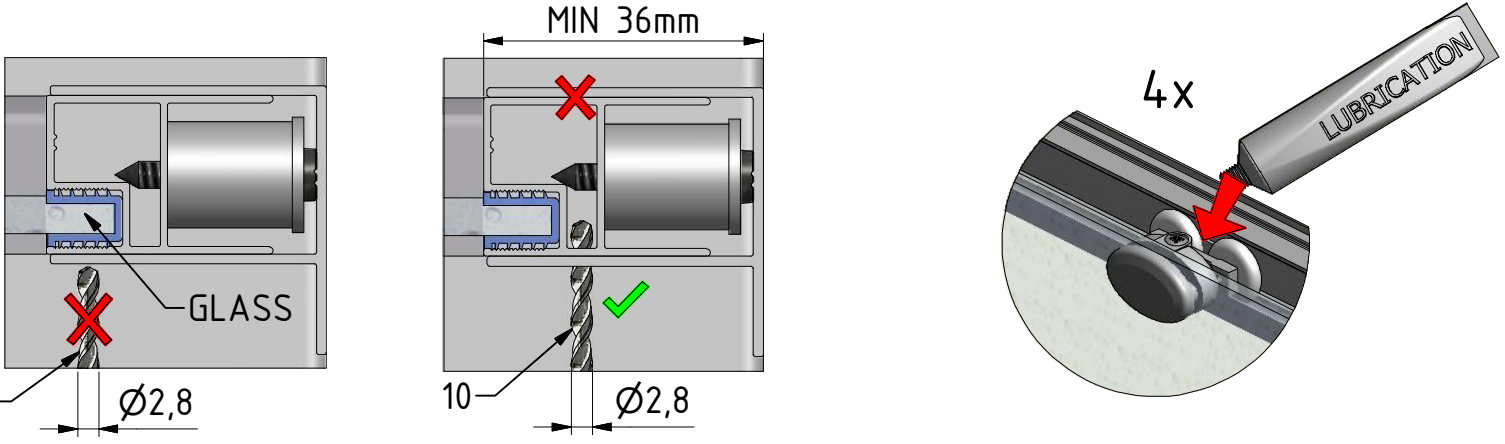


14

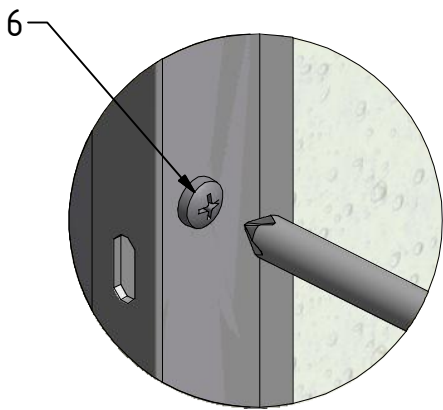
AB



# AC1 6x



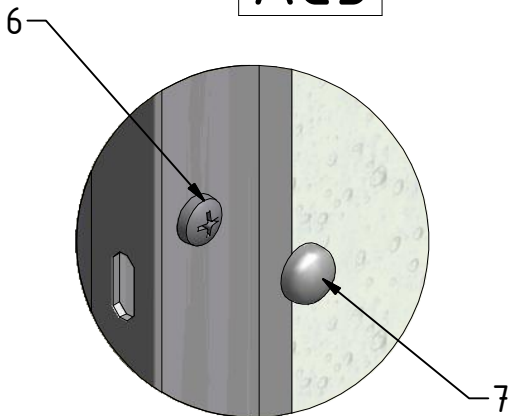
# AC2 6x



TOOL

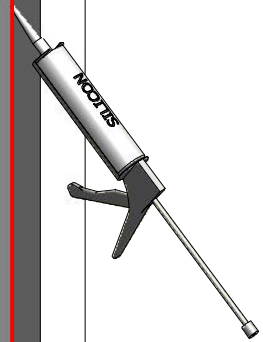
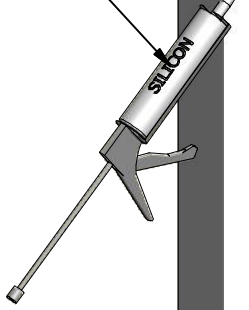
TOOL

# AC3 6x

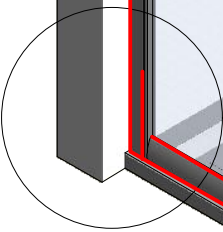




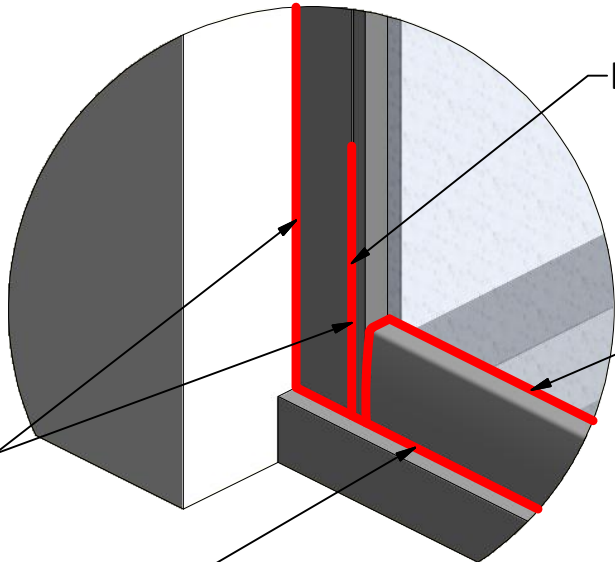
TOOL



AD



AD

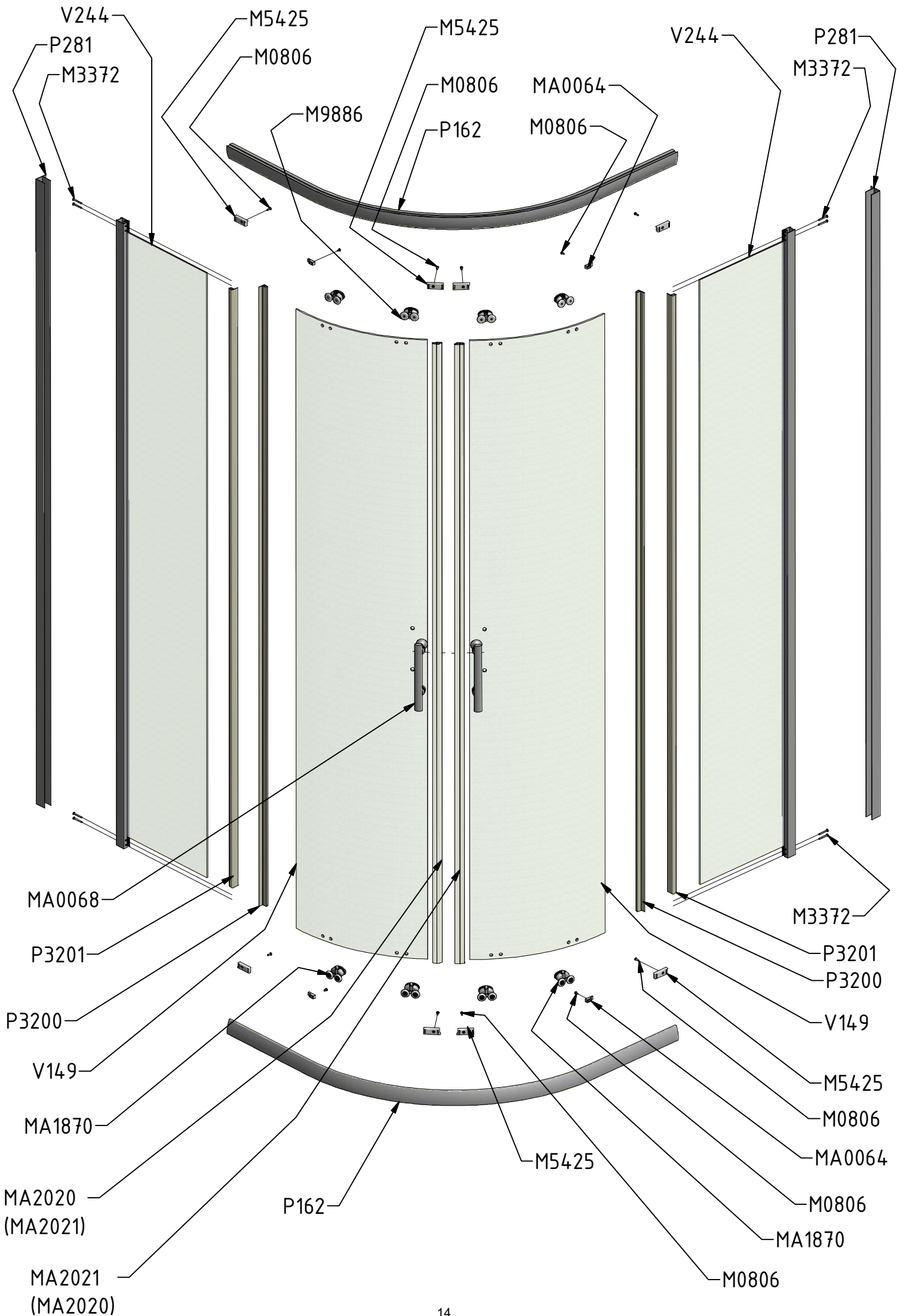


MIN 100mm

SILICONE

SILICONE

SILICONE



V244	900	brillant+transparent	ND03-0785-00-02
		bílá+transparent	ND03-0785-04-02
V149	900	transparent	ND02-0692-02
P162	900	brillant	MA2497
		bílá	P3722
P281	900	brillant	P5045
		bílá	P5046