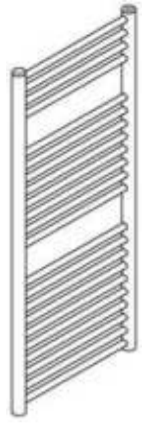




SILLA

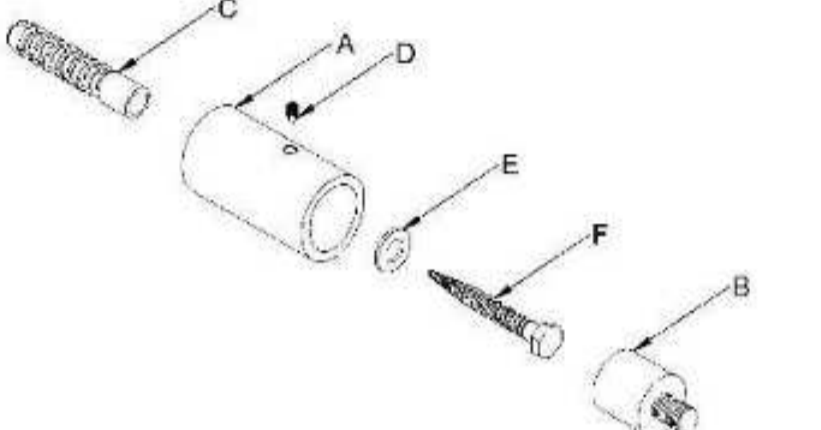


DXSI08200500SK81-0110

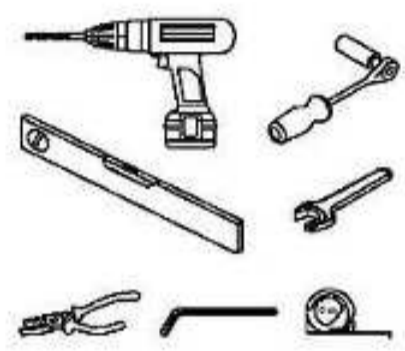
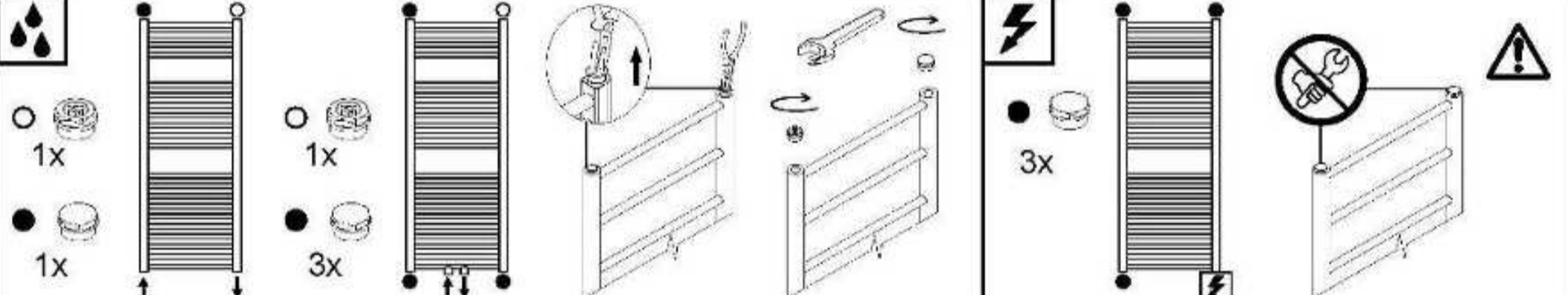


H	L	A	B	C	D	E	F	G
820	500	230	730	90	20	90	79-89	99-109
I	J	K	M	N	O	P		
59-69	-	min.100	460	-	-	-		

12.8	kg
3.4	l
270	W



A 4x	B 4x	C 4x 10x50 (100)
D 4x	E 4x	F 4x M6x50 (100)

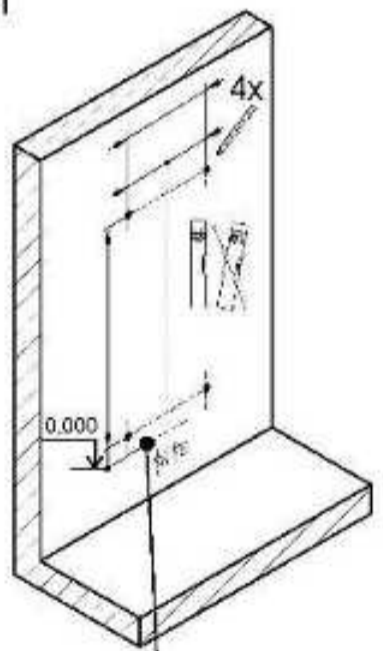



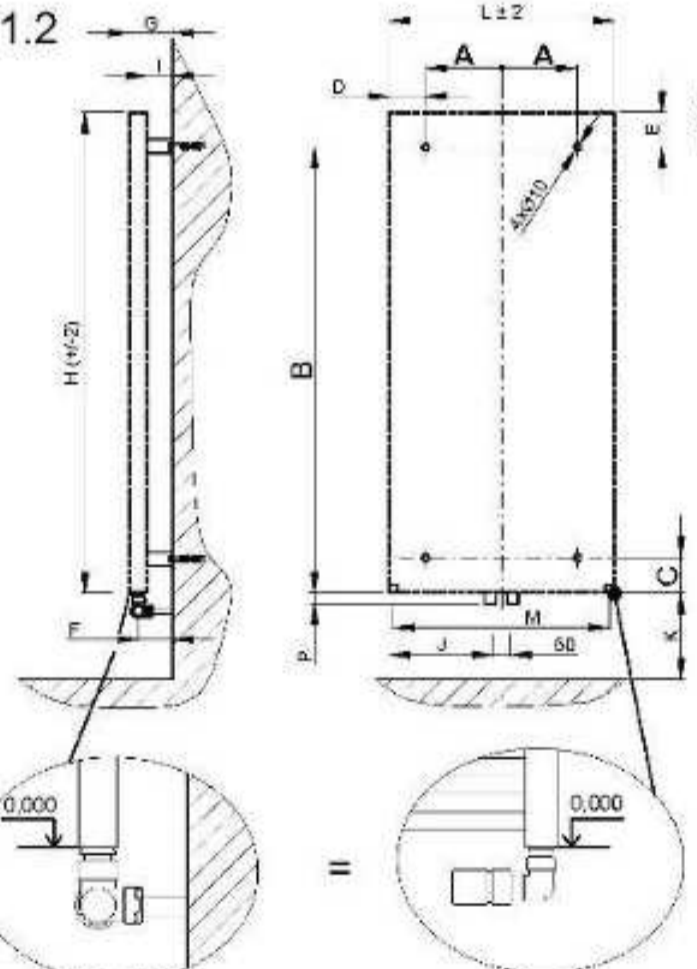
1. Attach the backrest to the seat using 1x screws and 1x nuts.

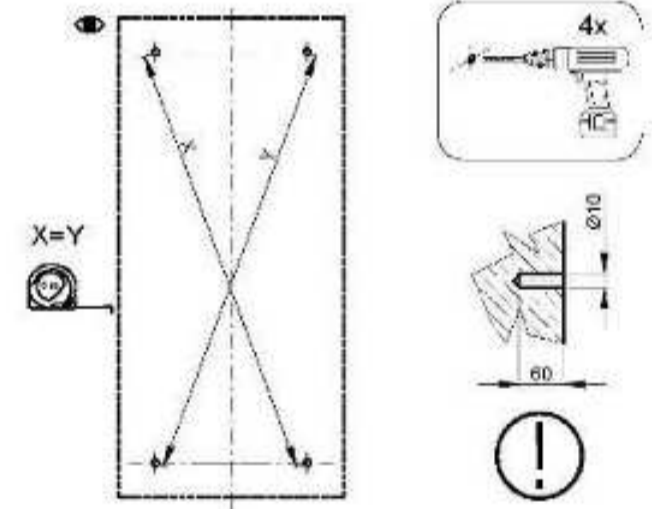
2. Attach the backrest to the seat using 1x screws and 3x nuts.

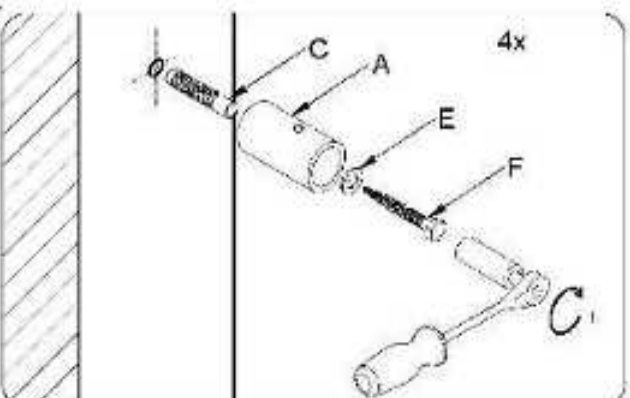
3. Tighten the screws and nuts.

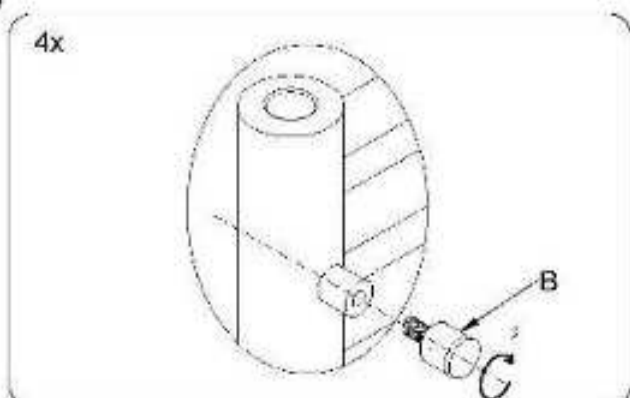
4. Check the electrical safety warning (no tools on the chair).

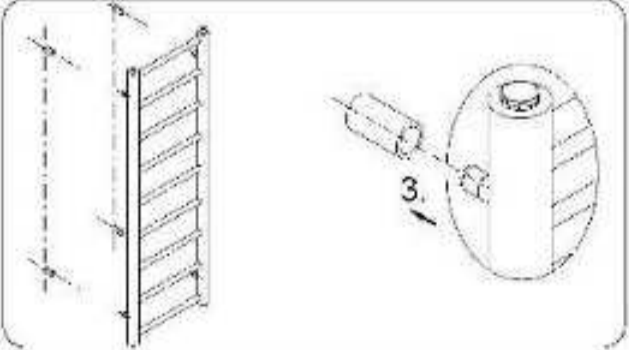
1.1 

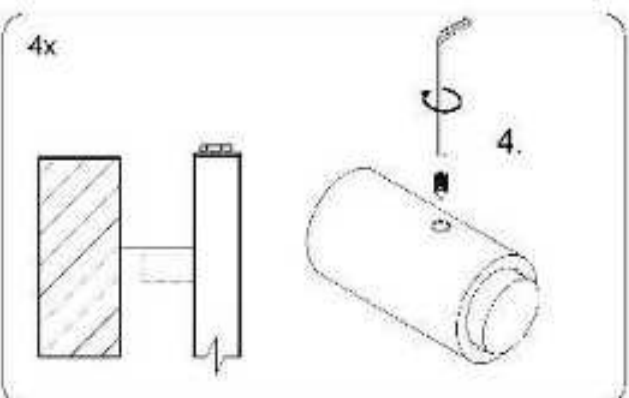
1.2 

1.3 

1.4 

1.5 

1.6 

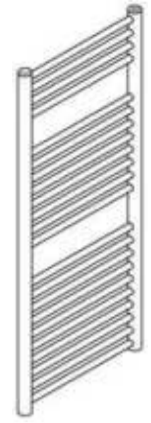
1.7 



SILLA

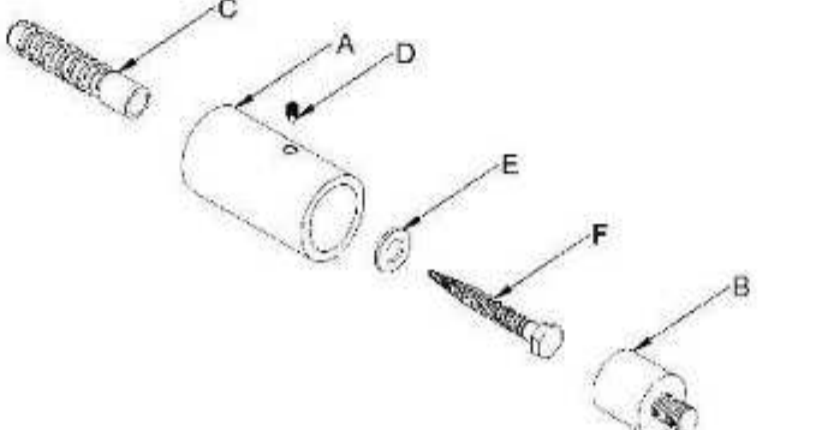


DXSI08200600SK81-0110

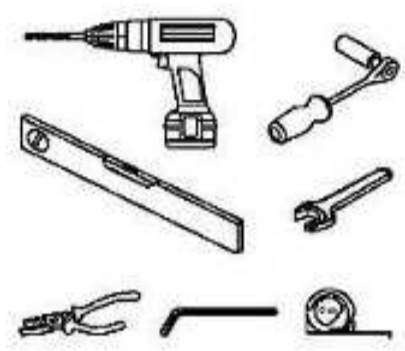
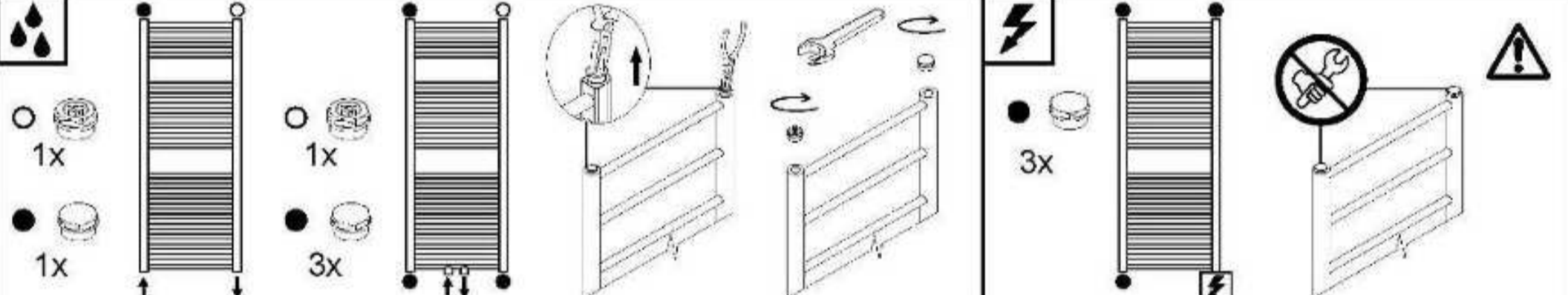


H	L	A	B	C	D	E	F	G
820	600	280	730	90	20	90	79-89	99-109
I	J	K	M	N	O	P		
59-69	-	min.100	560	-	-	-		

8.3	kg
4.1	l
322	W



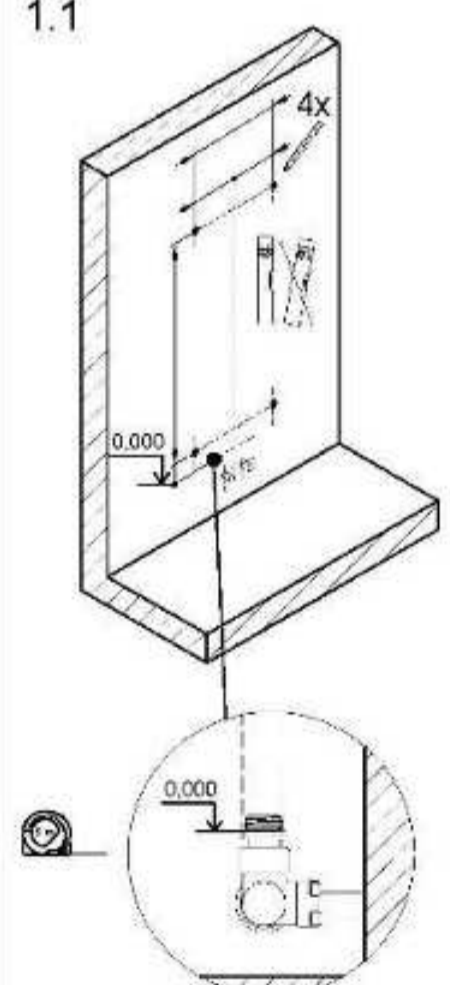
A 4x	B 4x	C 4x 10x50 (100)
D 4x	E 4x	F 4x M6x50 (100)

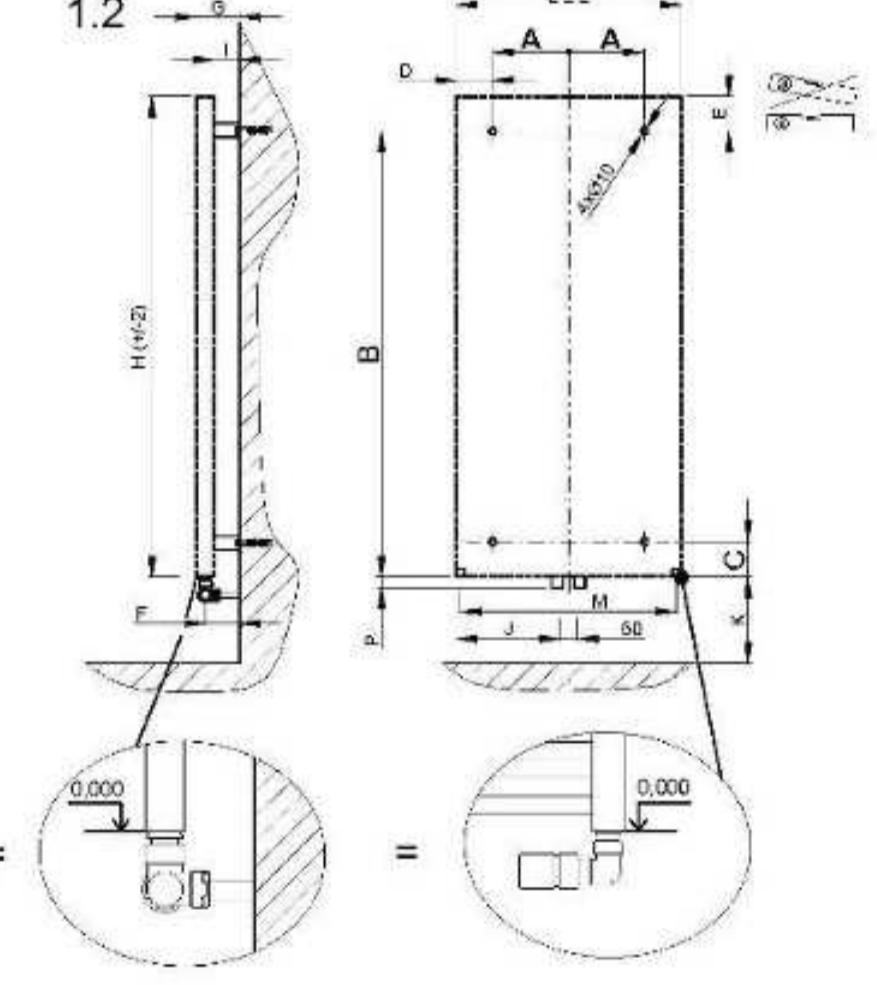



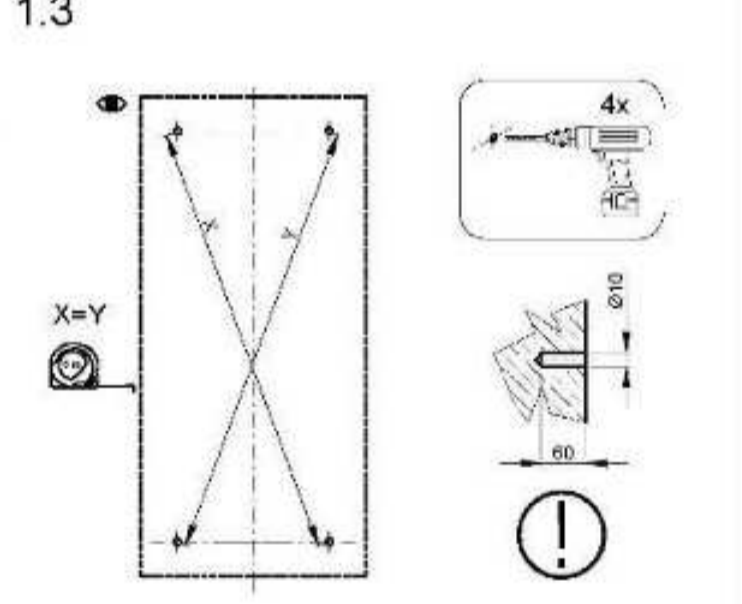
1. Attach the backrest to the chair frame using the provided hardware. 1x of each type is shown.

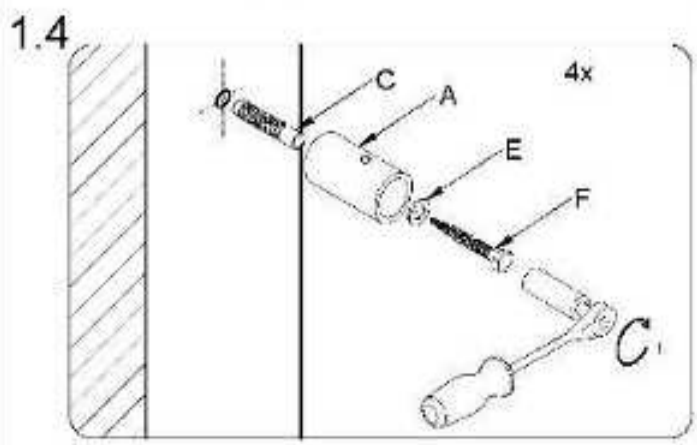
2. Tighten the backrest to the frame. 3x of each type are shown.

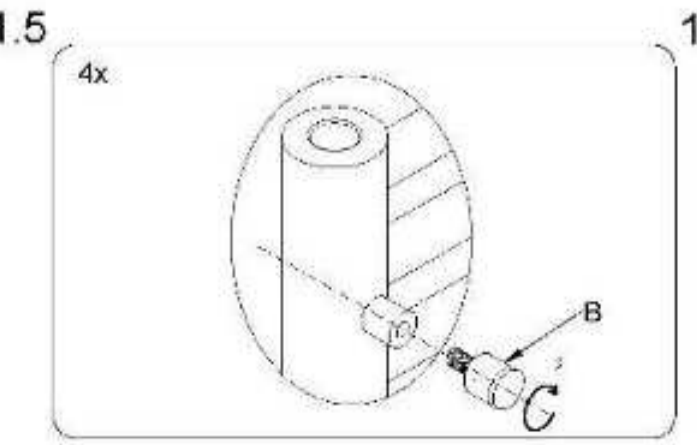
3. Final assembly step showing the backrest fully attached to the chair frame. 3x of each type are shown.

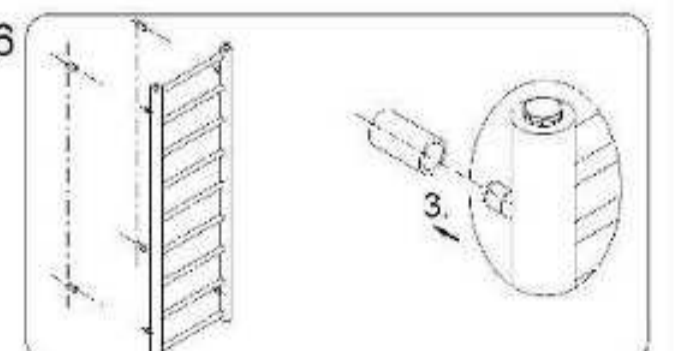
1.1 

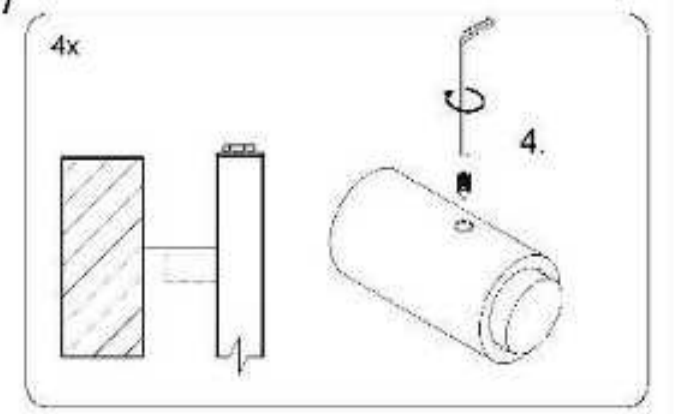
1.2 

1.3 

1.4 

1.5 

1.6 

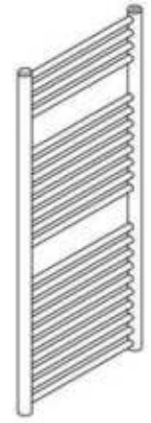
1.7 



SILLA

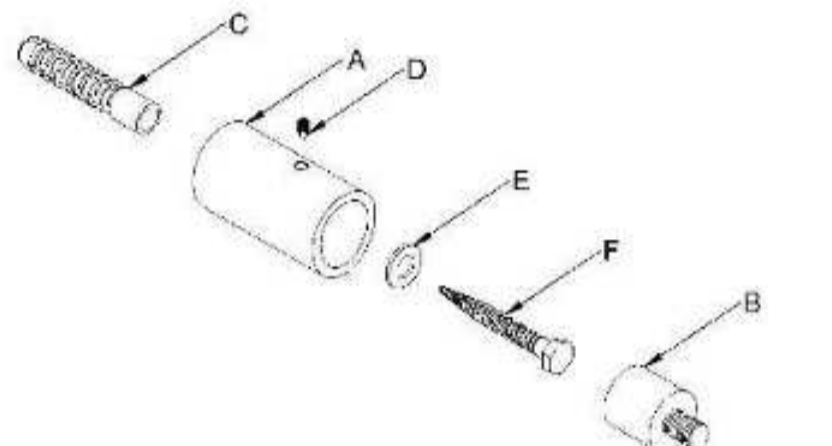


DXSI11800600SM81-0110

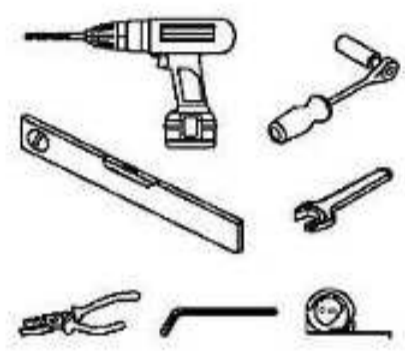
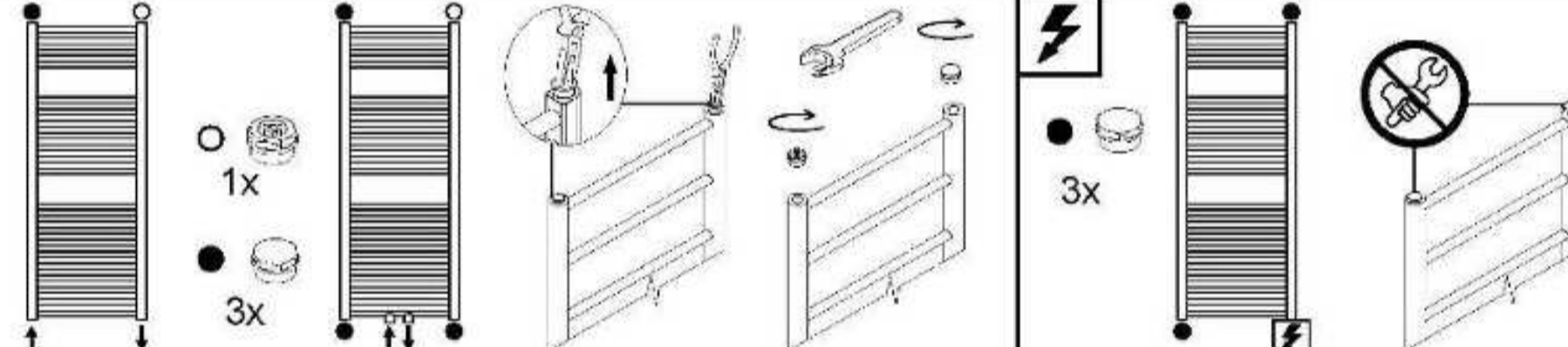


H	L	A	B	C	D	E	F	G
1180	600	280	1090	90	20	90	79-89	99-109
I	J	K	M	N	O	P		
59-69	275	min.100	50	-	-	-		

9.9	kg
6.4	l
432	W



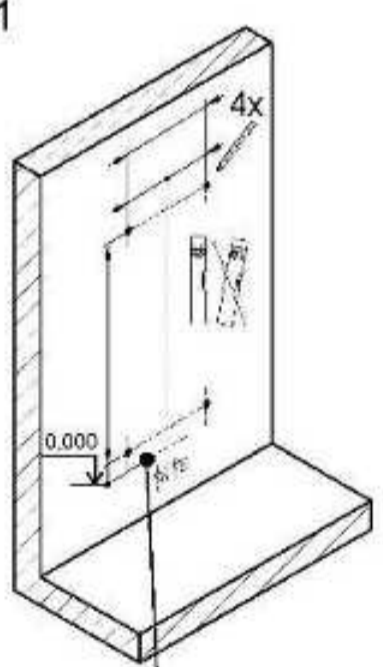
A 4x	B 4x	C 4x 10x50 (100)
D 4x	E 4x	F 4x M6x50 (100)

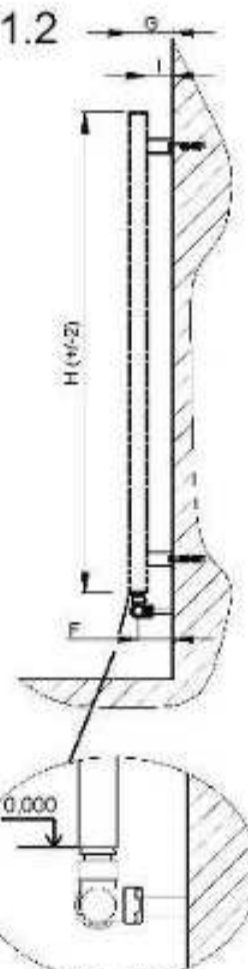



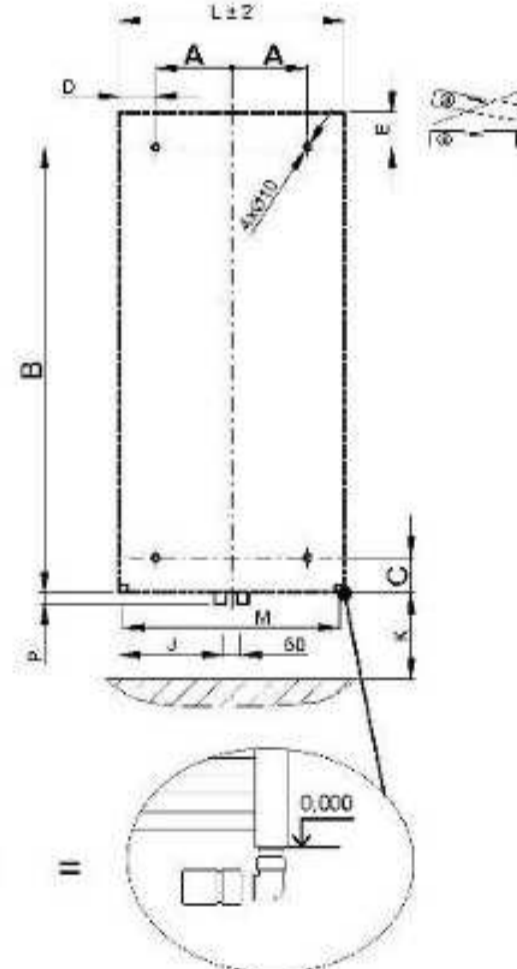
1. Attach the backrest to the chair frame using the provided hardware. 1x of each type is shown.

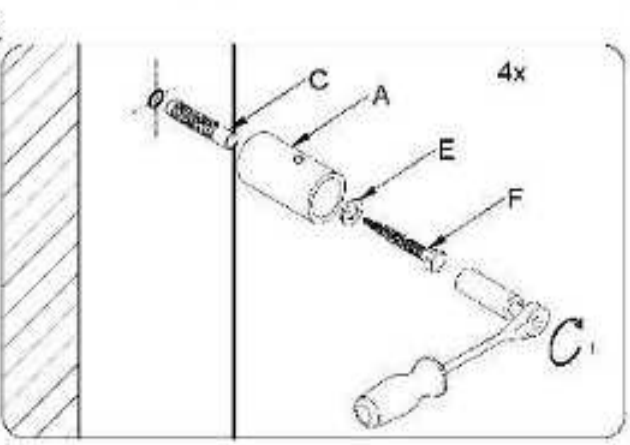
2. Tighten the backrest to the frame. 3x of each type are shown.

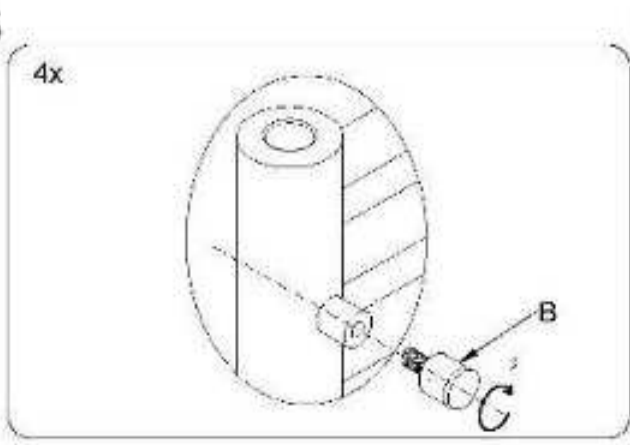
3. Final assembly step showing the backrest fully attached. 3x of each type are shown.

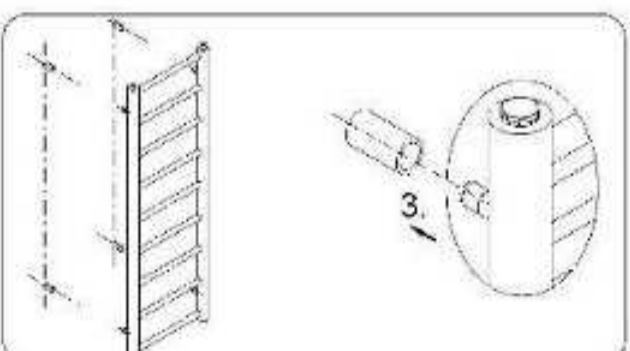
1.1 

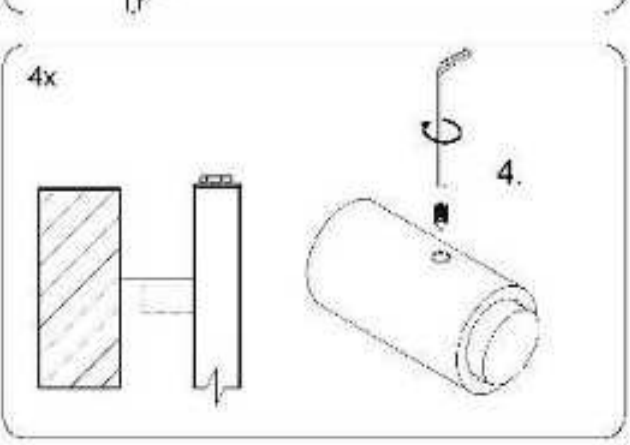
1.2 

1.3 

1.4 

1.5 

1.6 

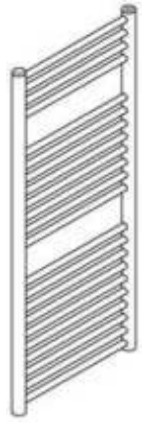
1.7 



SILLA

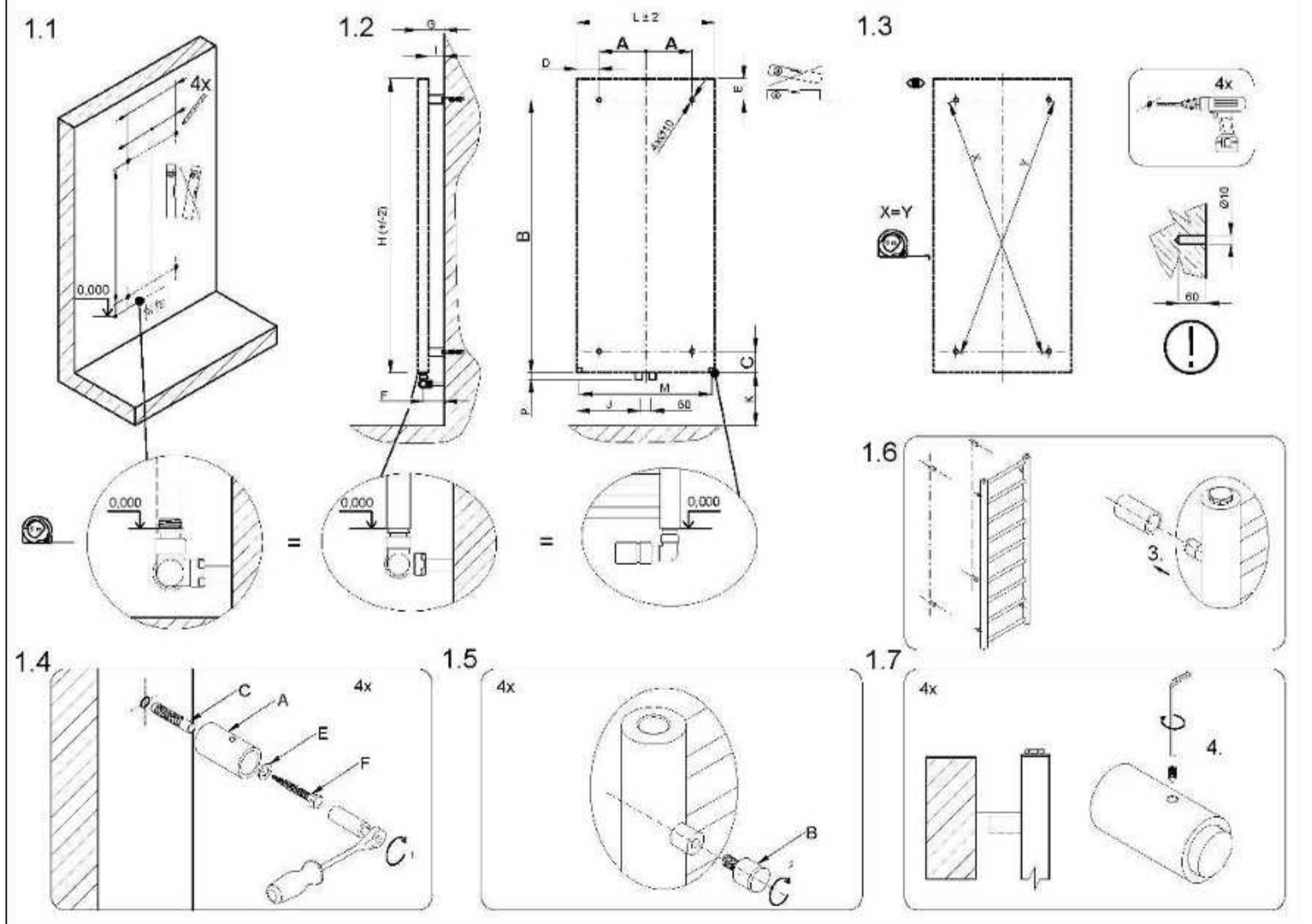
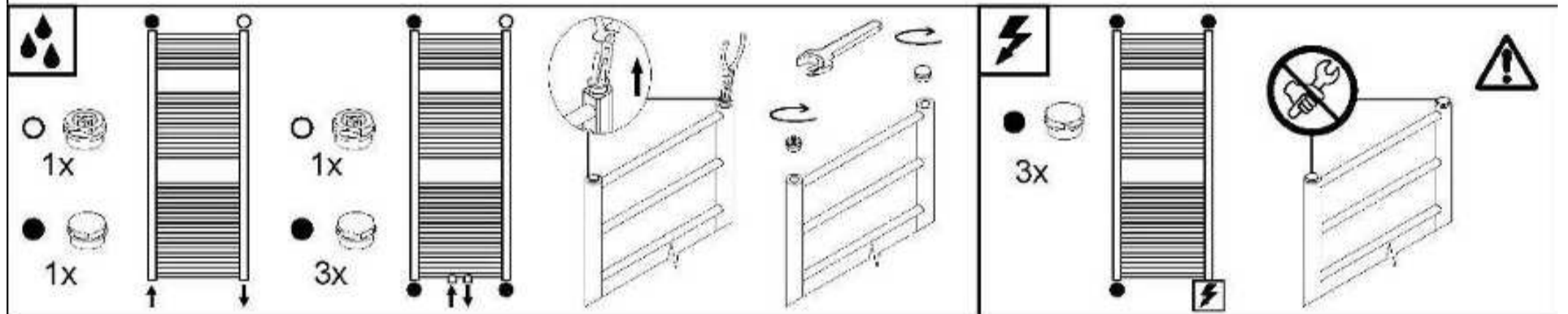
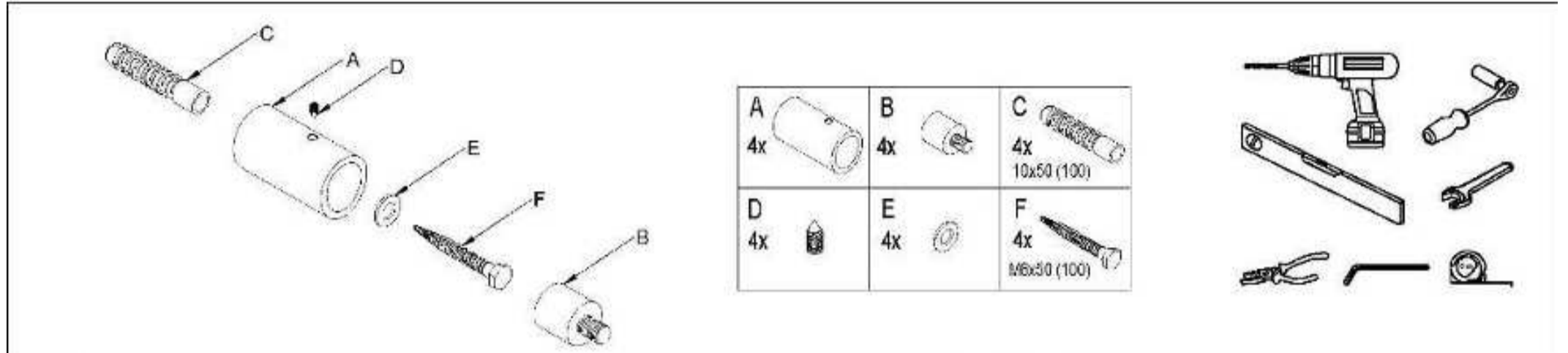


DXSI14950600SK81-0110



H	L	A	B	C	D	E	F	G
1495	600	280	1405	90	20	90	79-89	99-109
I	J	K	M	N	O	P		
59-69	-	min.100	560	-	-	-		

11.8	kg
7.6	l
545	W

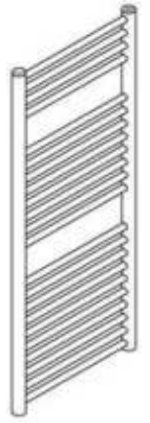




SILLA

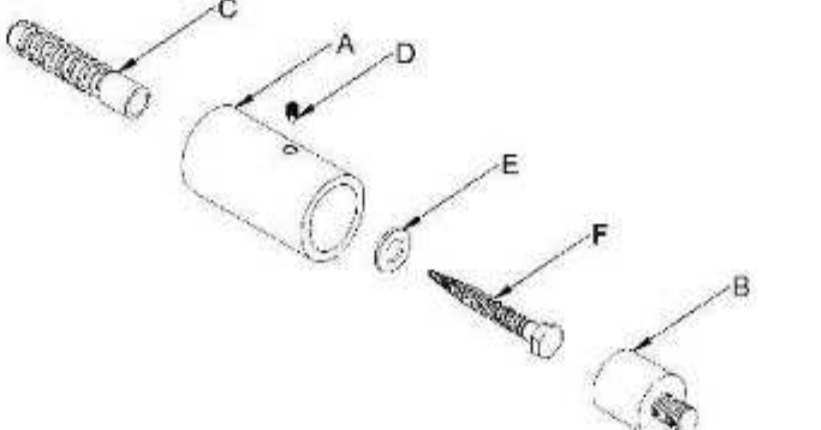


DXSI17650600SK81-0110

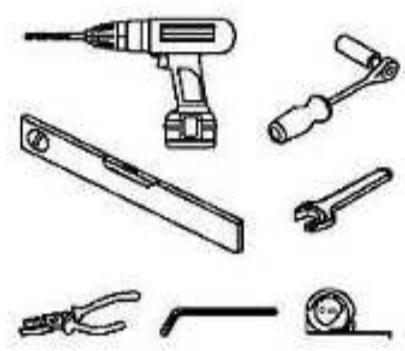
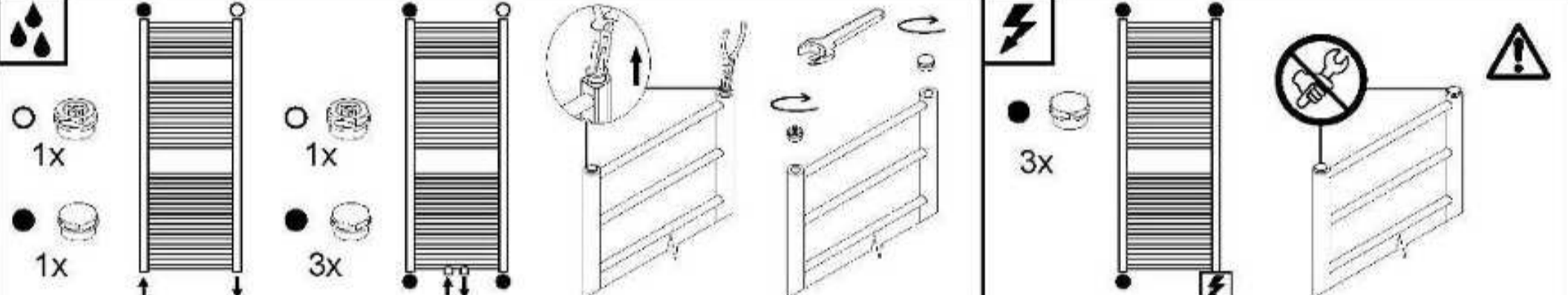


H	L	A	B	C	D	E	F	G
1765	600	280	1675	90	20	90	79-89	99-109
I	J	K	M	N	O	P		
59-69	-	min.100	560	-	-	-		

14.7	kg
9.6	l
647	W



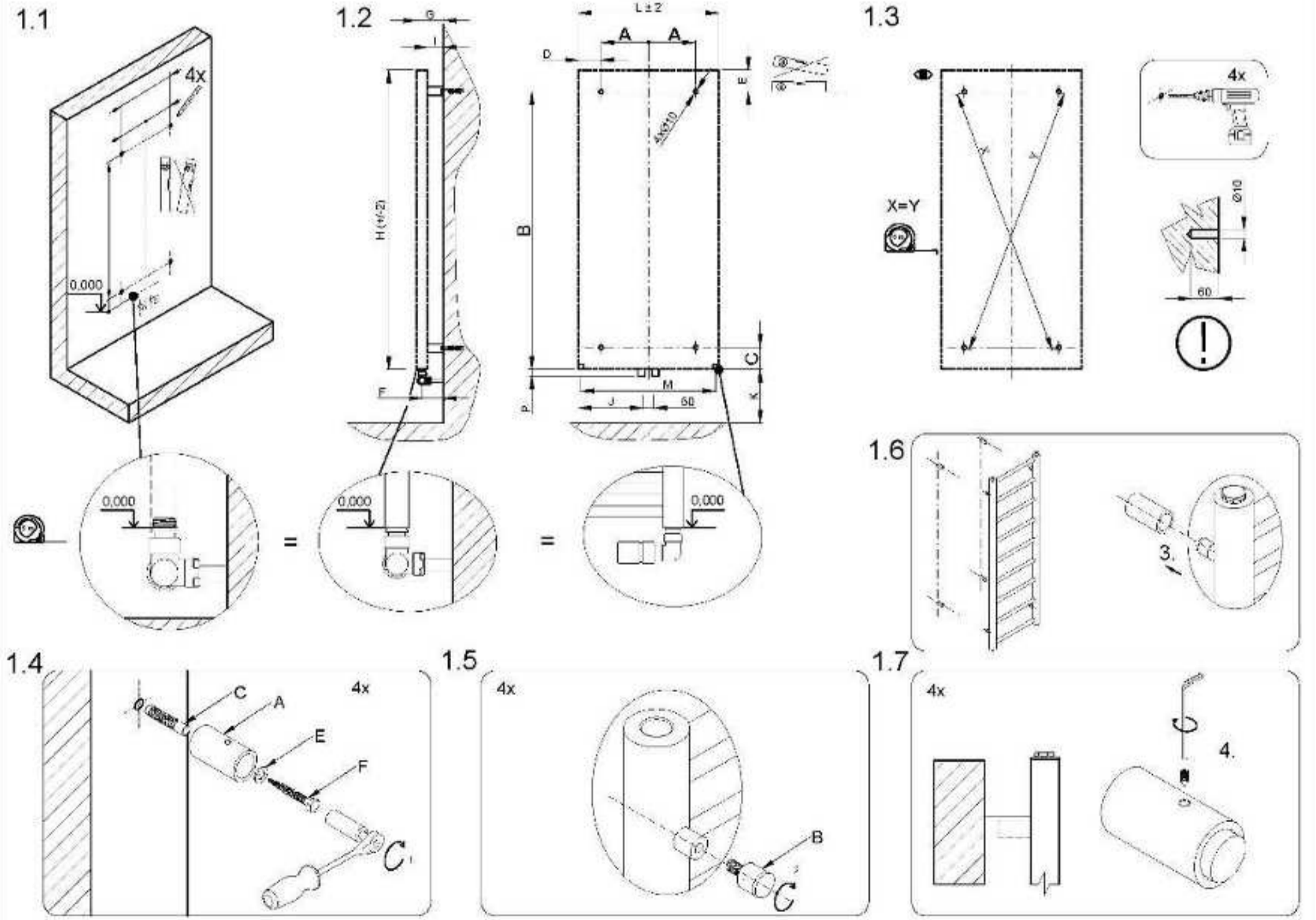
A 4x	B 4x	C 4x 10x50 (100)
D 4x	E 4x	F 4x M6x50 (100)

1.1: Attach 1x white cap and 1x black cap to the backrest.

1.2: Attach 1x white cap and 3x black caps to the backrest.

1.3: Attach 3x black caps to the chair seat.



1.1: Mounting the backrest to the seat with 4x screws. Dimensions: 0,000, 9,75.

1.2: Mounting the backrest to the seat with dimensions: g, H(±2), F, L, M, 60, x, C, P, J, 60.

1.3: Mounting the backrest to the seat with dimensions: L±2, A, A, D, E, X=Y, 4x screws, Ø10, 60, and a warning symbol.

1.4: Mounting the backrest to the seat with dimensions: C, A, E, F, C', 4x screws.

1.5: Mounting the backrest to the seat with dimensions: 4x, B, C.

1.6: Mounting the backrest to the seat with dimensions: 3, 4.

1.7: Mounting the backrest to the seat with dimensions: 4x, 4.

