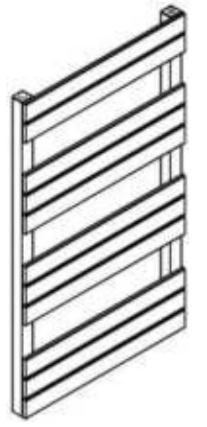




ATRIA

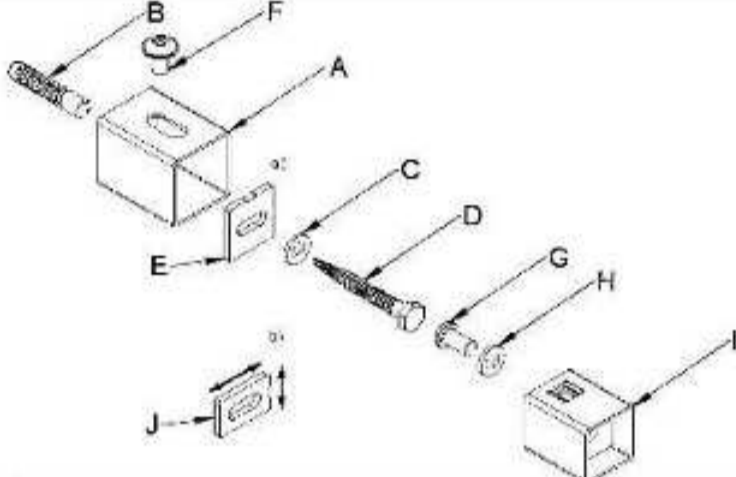


DLAV08000550SK01-0110

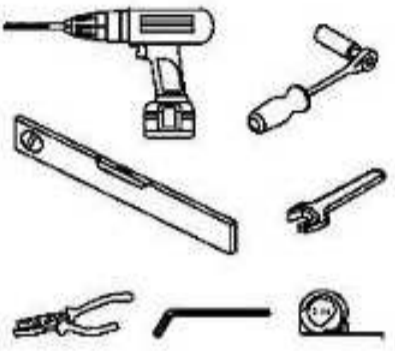
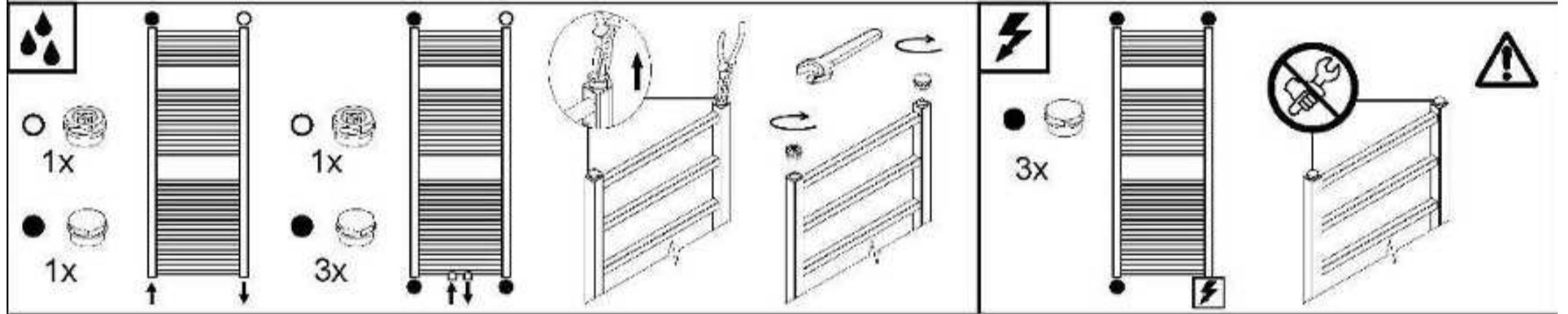


H	L	A	B	C	D	E	F	G
800	550	256	710	90	19	90	55-65	81-91
I	J	K	M	N	O	P		
40-50	-	min.100	512	-	-	-		

10.7	kg
3.4	l
408	W

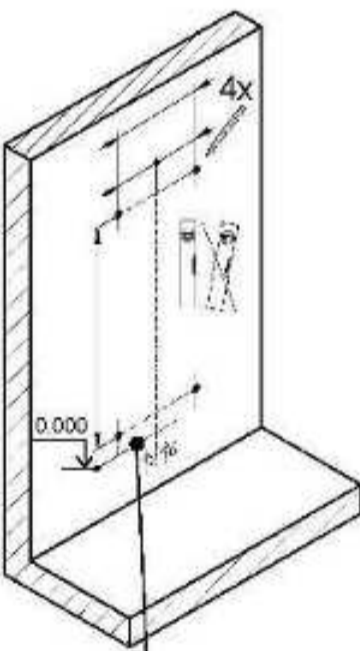


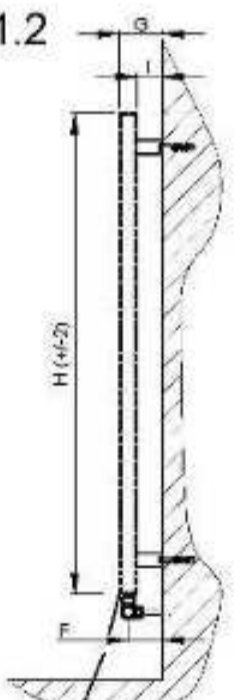
A 4x	B 4x 10x50 (100)	C 4x	D 4x MBx50 (100)	E 2x
F 4x	G 4x	H 4x	I 4x	J 2x

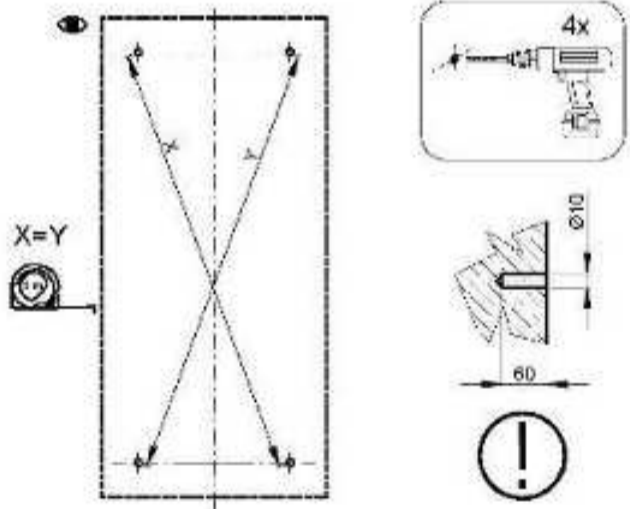



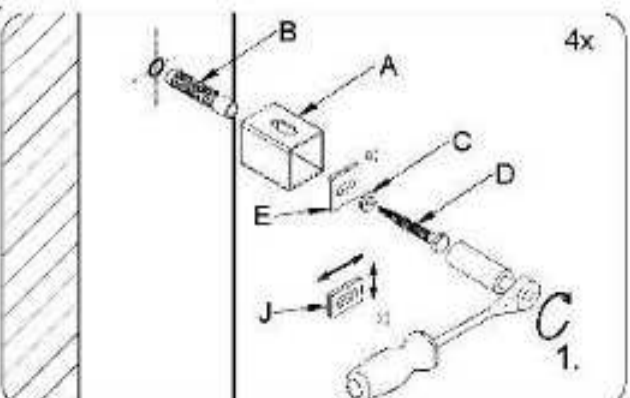
Waterproofing: Shows the application of waterproofing membrane to the shower tray surface and around the drain. It includes icons for waterproofing material (1x) and a drain cap (1x).

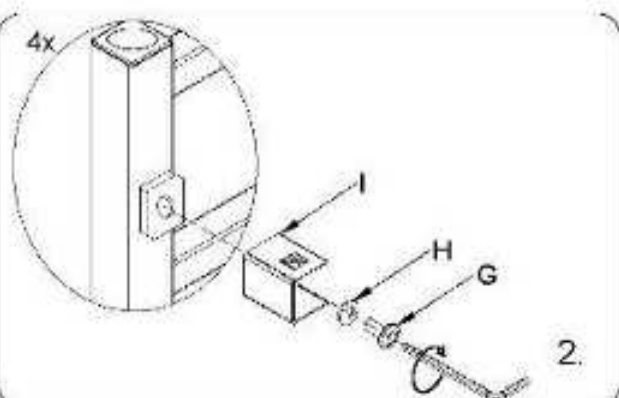
Electrical Safety: Shows the connection of the shower tray to the electrical system. It includes a lightning bolt symbol, a warning sign, and a note for 3x electrical connections.

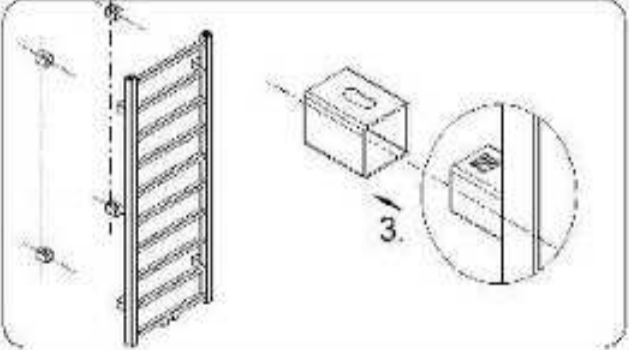
1.1 

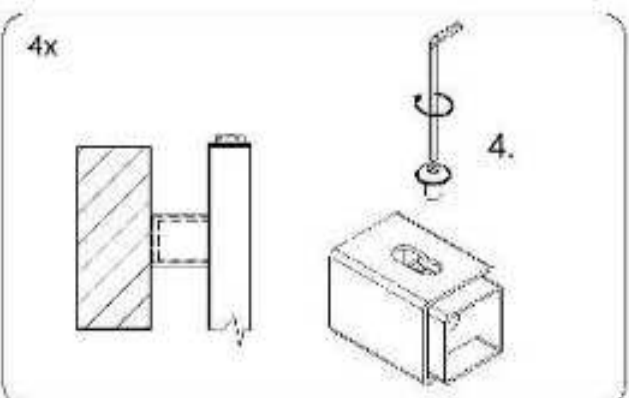
1.2 

1.3 

1.4 

1.5 

1.6 

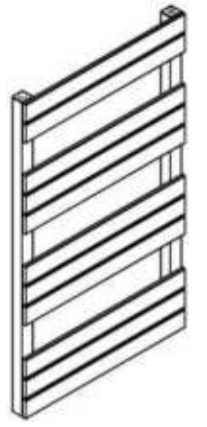
1.7 



ATRIA

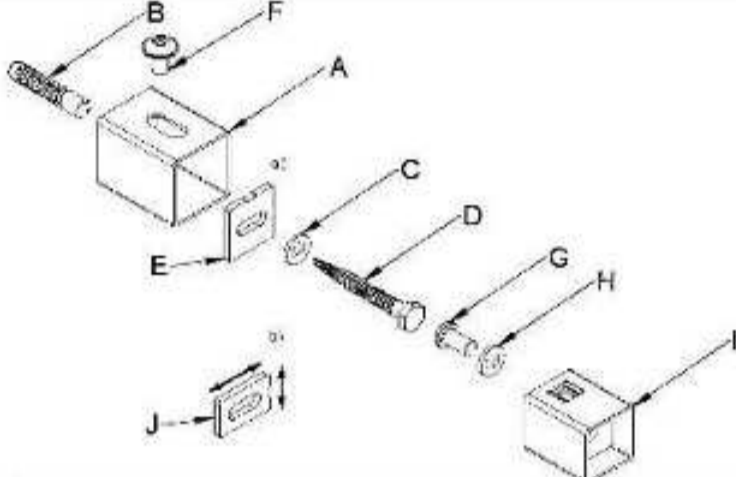


DLAV11200550SK01-0110

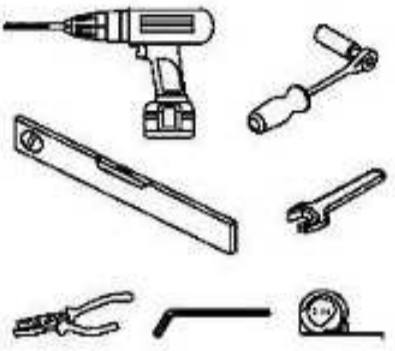
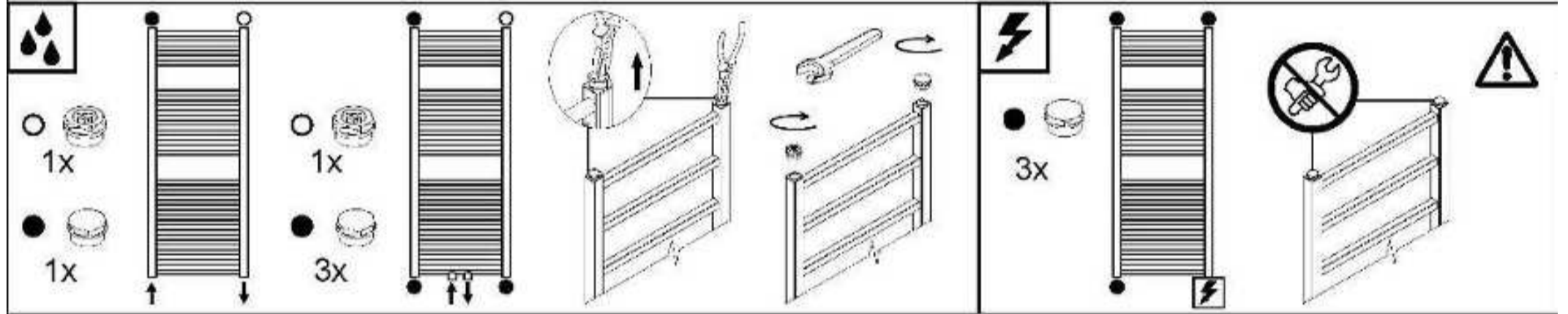


H	L	A	B	C	D	E	F	G
1120	550	256	1030	90	19	90	55-65	81-91
I	J	K	M	N	O	P		
40-50	-	min.100	512	-	-	-		

14.8	kg
4.8	l
569	W

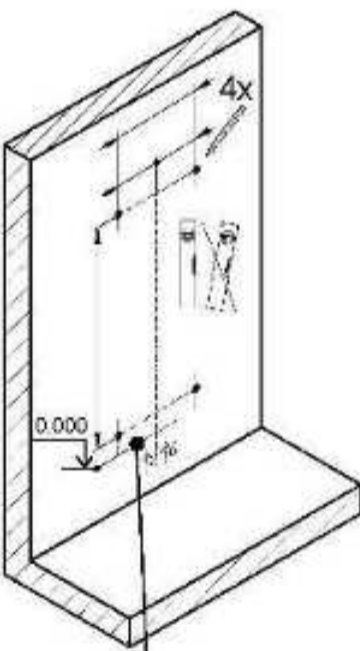


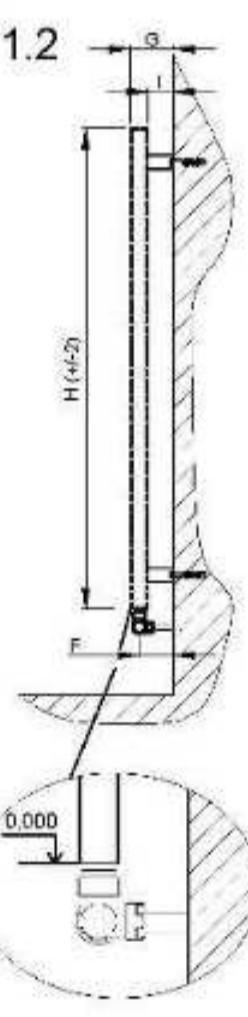
A 4x	B 4x 10x50 (100)	C 4x	D 4x MBx50 (100)	E 2x
F 4x	G 4x	H 4x	I 4x	J 2x

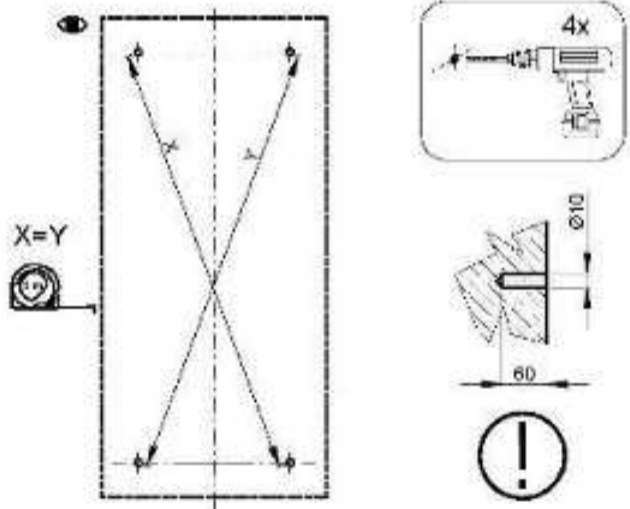



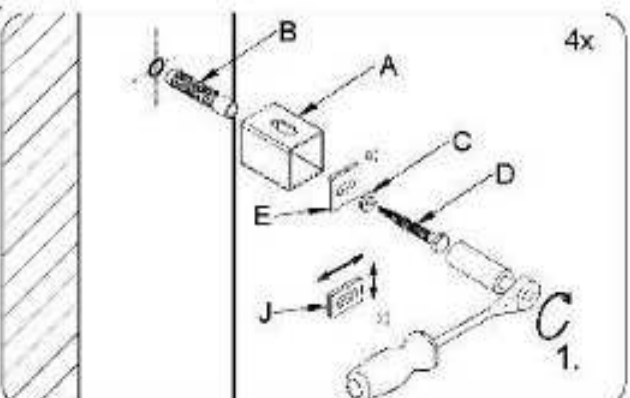
Waterproofing: Shows the application of waterproofing membrane to the shower tray surface and around the drain. It includes icons for waterproofing material (1x) and a drain cap (1x).

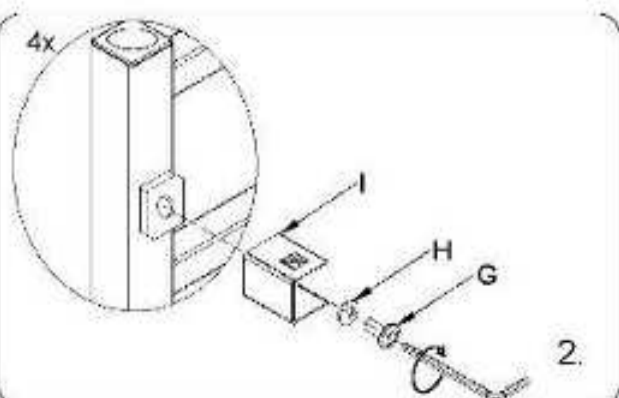
Electrical Safety: Shows the connection of the shower tray to the electrical system. It includes a lightning bolt symbol, a warning triangle, and a note for 3x electrical connections.

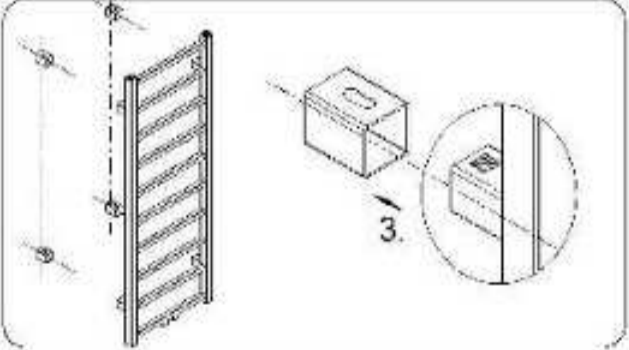
1.1 

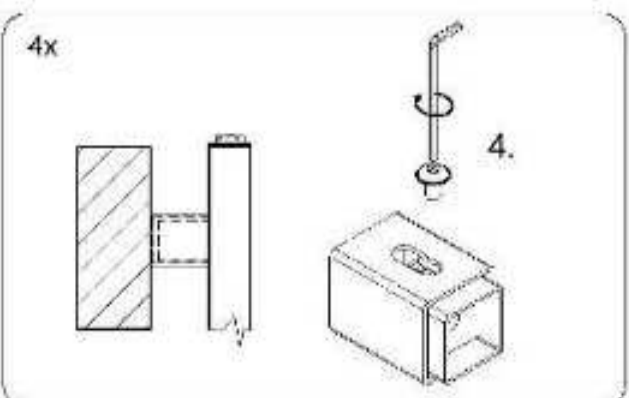
1.2 

1.3 

1.4 

1.5 

1.6 

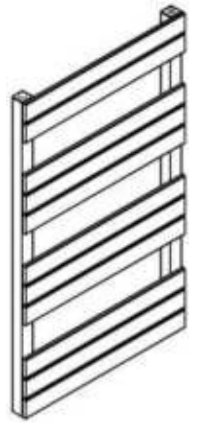
1.7 



ATRIA

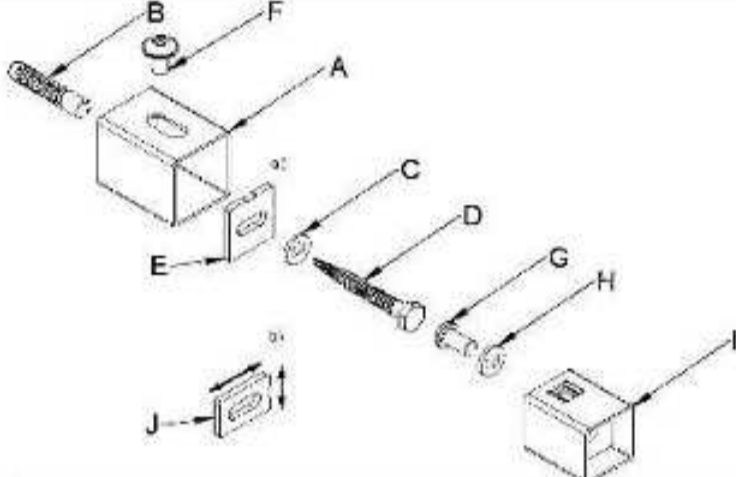


DLAV15200550SK01-0110

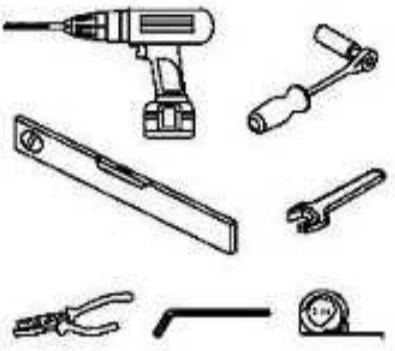
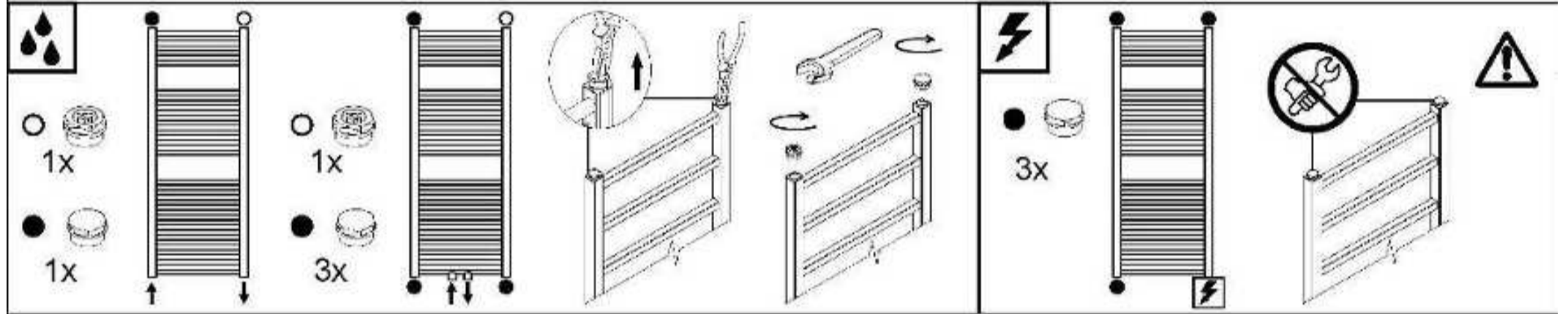


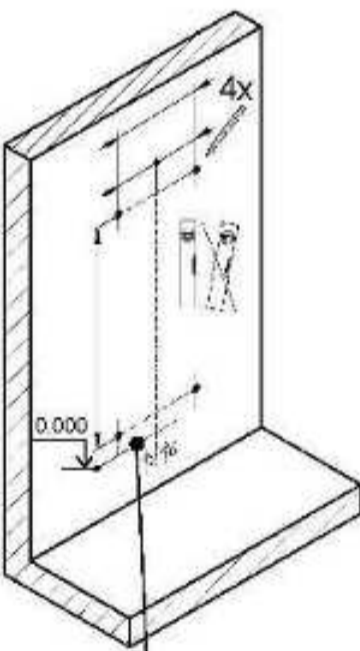
H	L	A	B	C	D	E	F	G
1520	550	256	1430	90	19	90	55-65	81-91
I	J	K	M	N	O	P		
40-50	-	min.100	512	-	-	-		

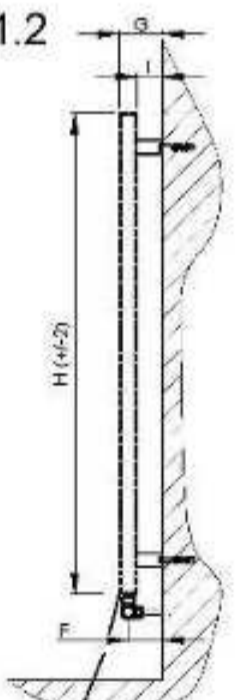
21.1	kg
6.8	l
761	W

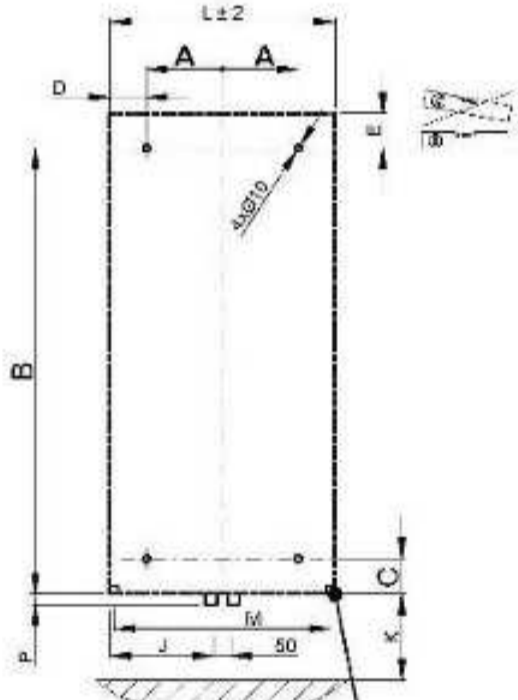


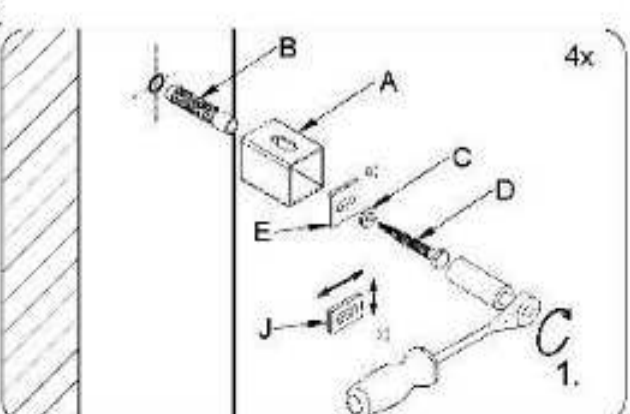
A 4x	B 4x 10x50 (100)	C 4x	D 4x MBx50 (100)	E 2x
F 4x	G 4x	H 4x	I 4x	J 2x

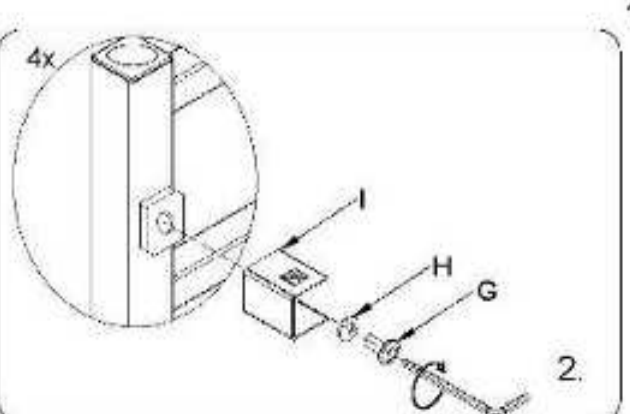



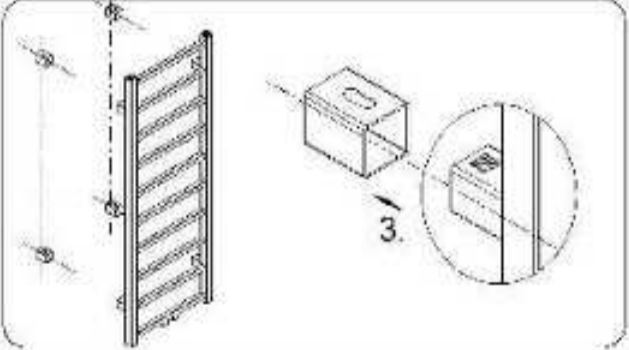
1.1 

1.2 

1.3 

1.4 

1.5 

1.6 

1.7 