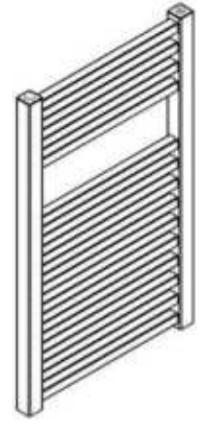




QUADRAT

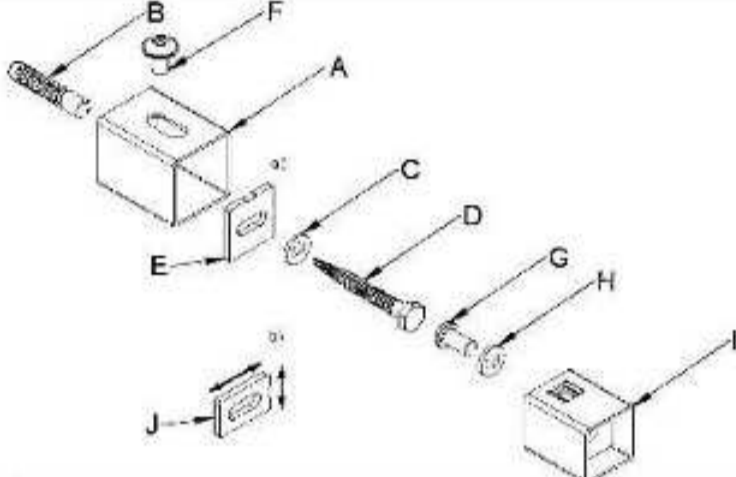


DQUA08050500SK01-0110

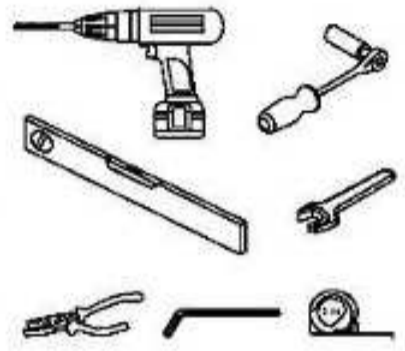
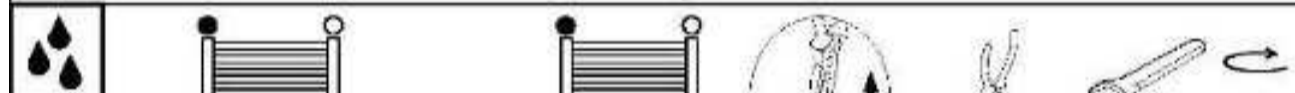
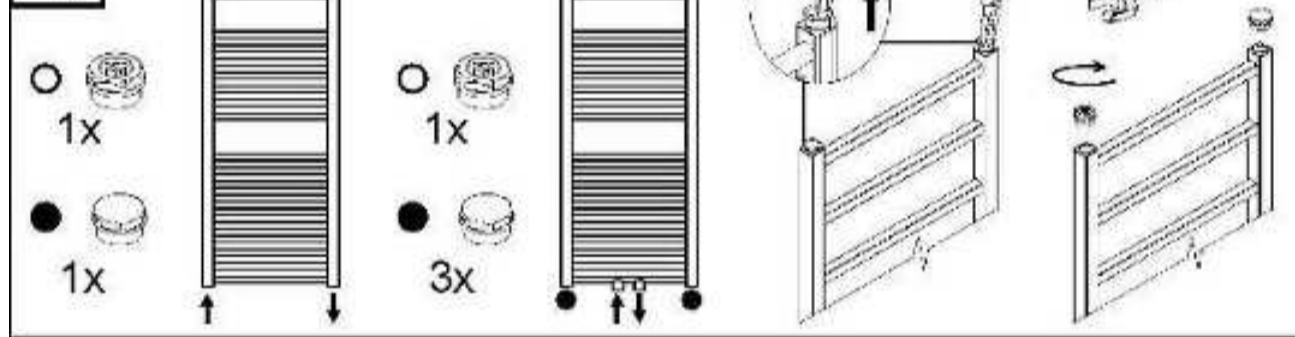
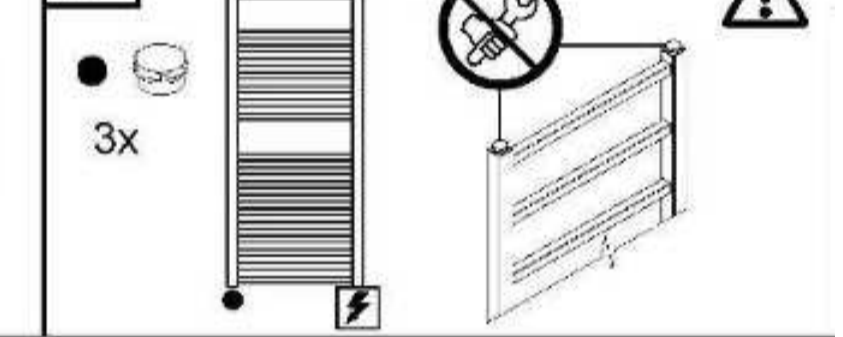



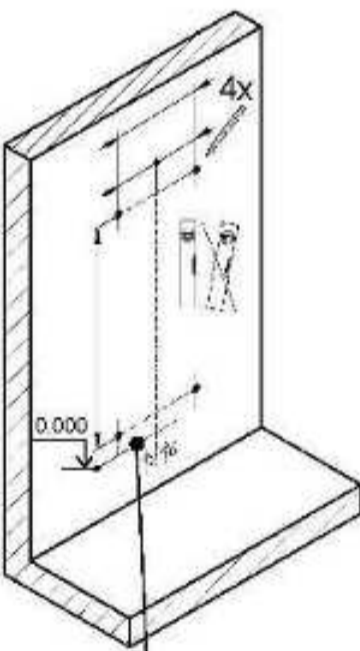
H	L	A	B	C	D	E	F	G
805	500	230	715	90	20	90	60-70	80-90
I	J	K	M	N	O	P		
40-50	-	min.100	460	-	-	-		

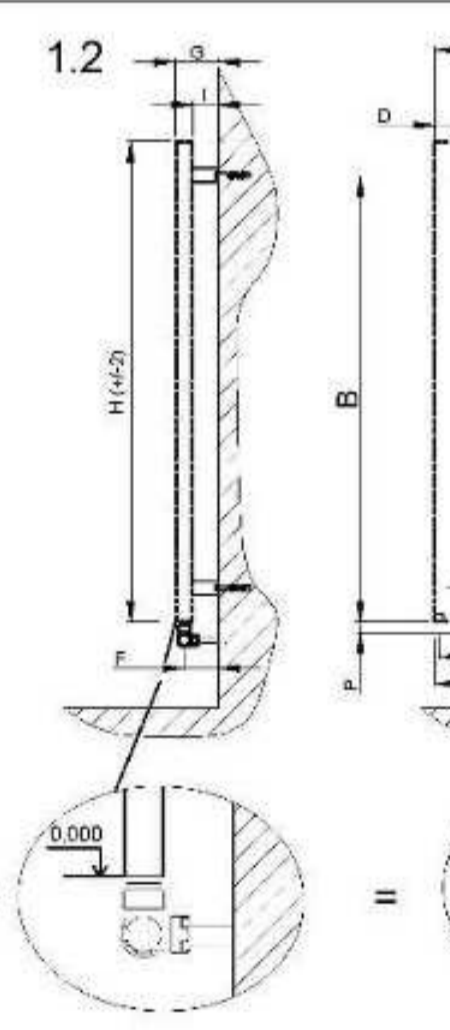
9.9	kg
5.1	l
382	W

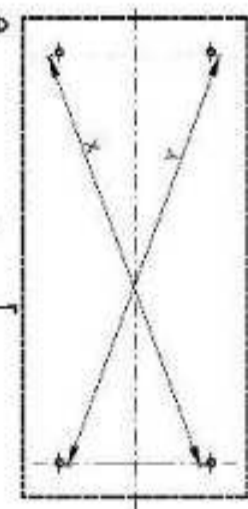


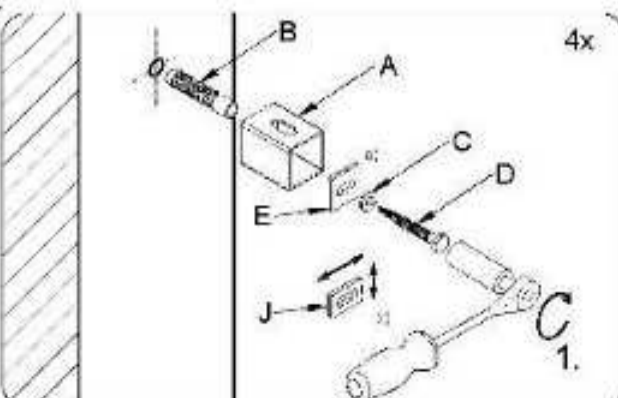
A 4x	B 4x 10x50 (100)	C 4x	D 4x MBx50 (100)	E 2x
F 4x	G 4x	H 4x	I 4x	J 2x

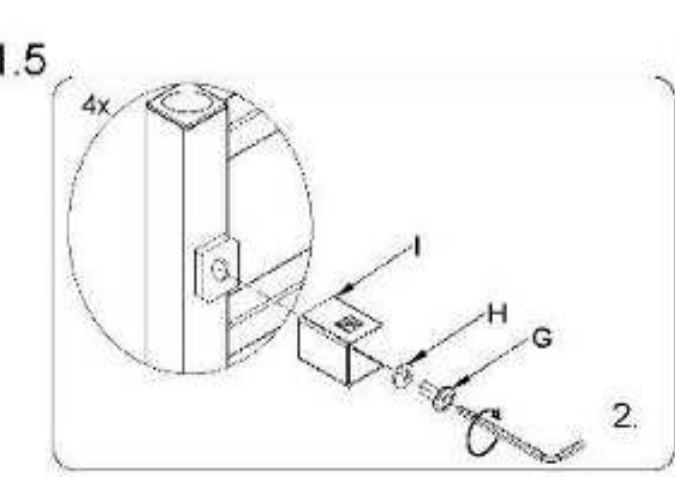






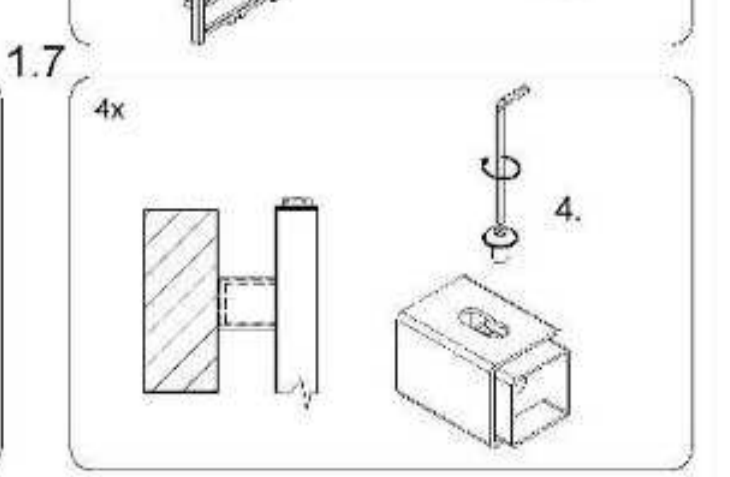
1.1 

1.2 

1.3 

1.4 

1.5 

1.6 

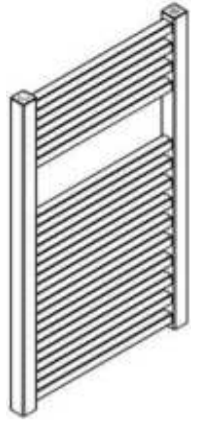
1.7



QUADRAT

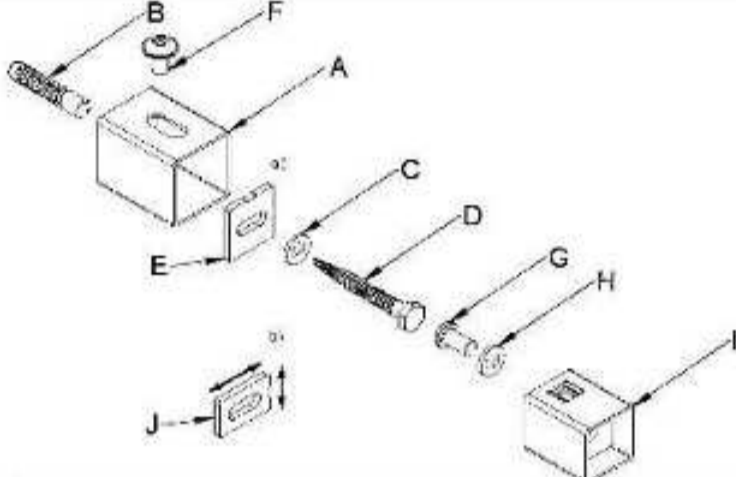


DQUA08050600SK01-0110

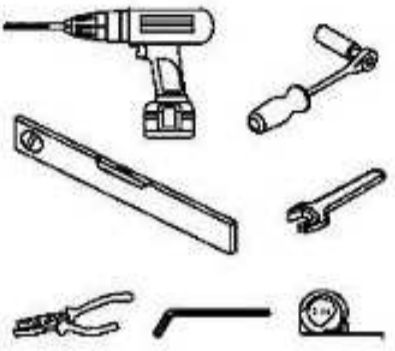
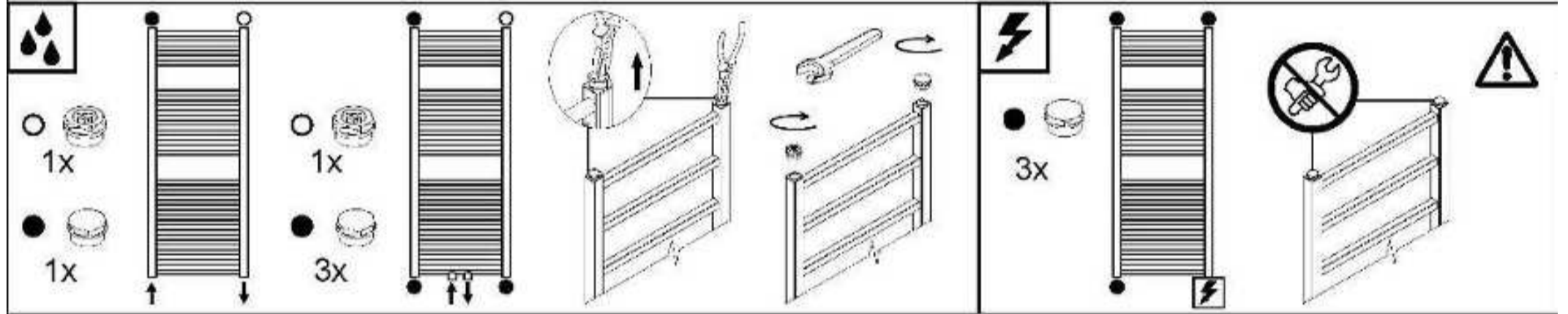


H	L	A	B	C	D	E	F	G
805	600	280	715	90	20	90	60-70	80-90
I	J	K	M	N	O	P		
40-50	-	min.100	560	-	-	-		

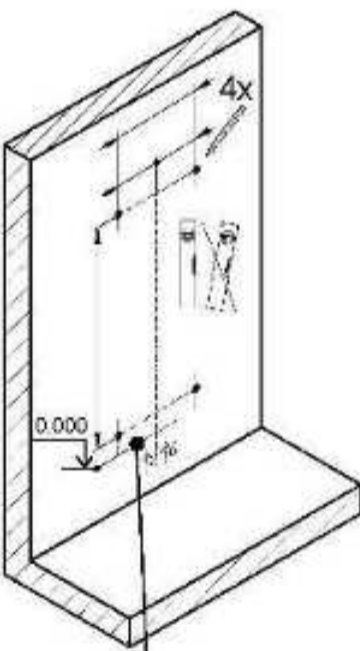
11.5	kg
5.7	l
446	W

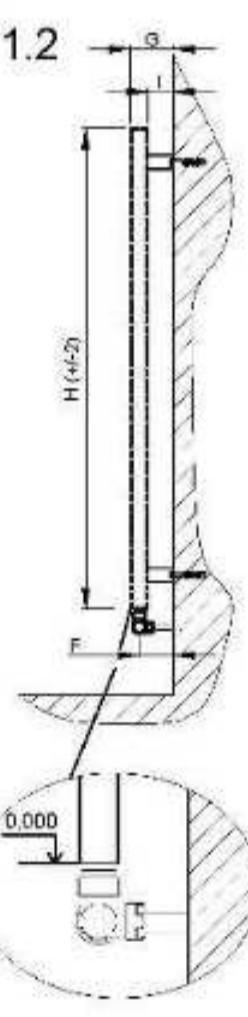


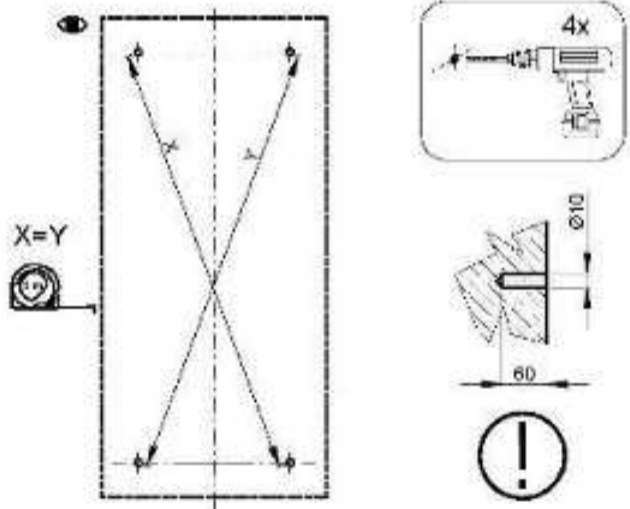
A 4x	B 4x 10x50 (100)	C 4x	D 4x MBx50 (100)	E 2x
F 4x	G 4x	H 4x	I 4x	J 2x

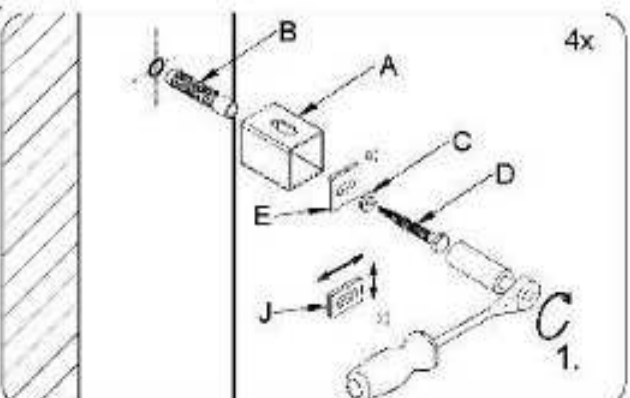



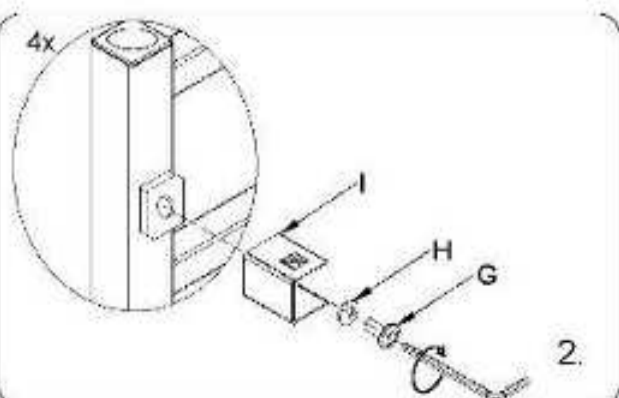
1X (Water supply symbol)
1X (Water return symbol)
3X (Valve symbol)

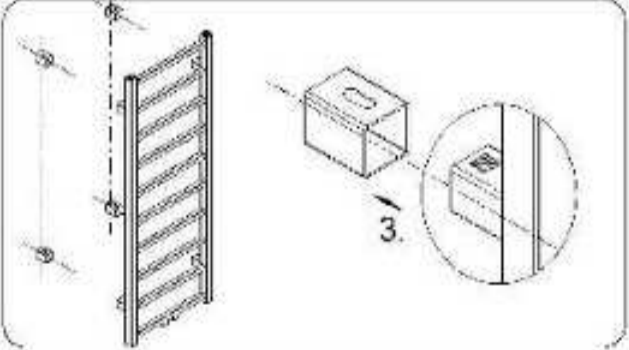
1.1 

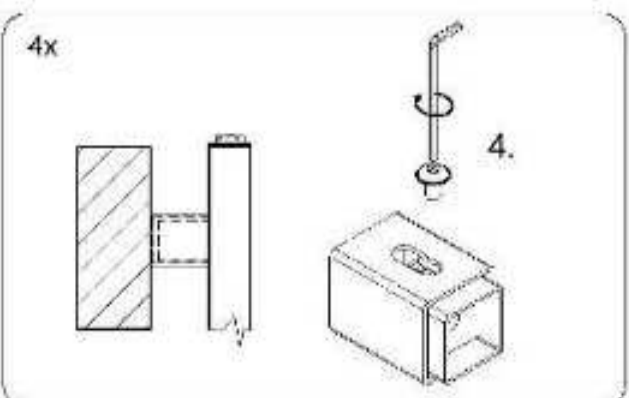
1.2 

1.3 

1.4 

1.5 

1.6 

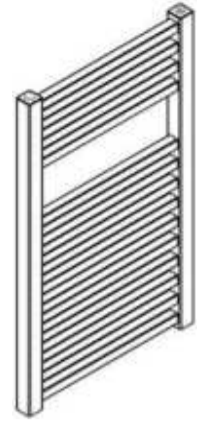
1.7 



QUADRAT

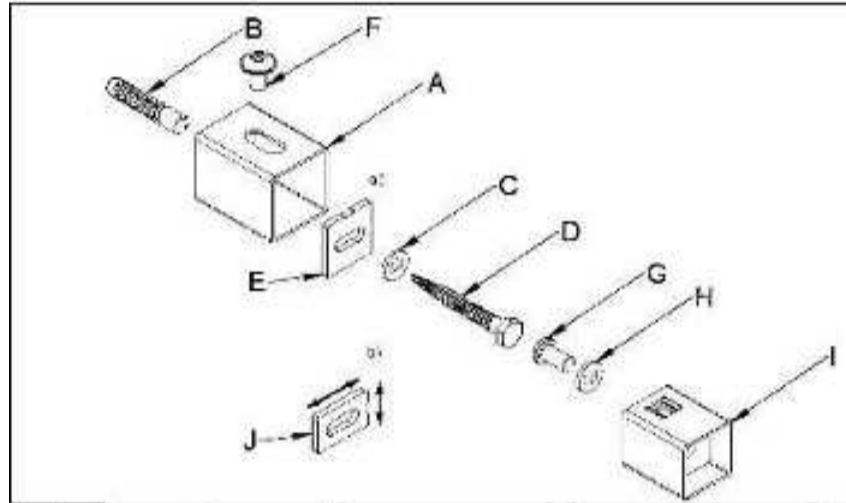


DQUA12550500SK01-0110

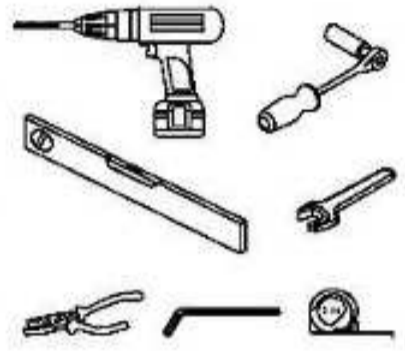

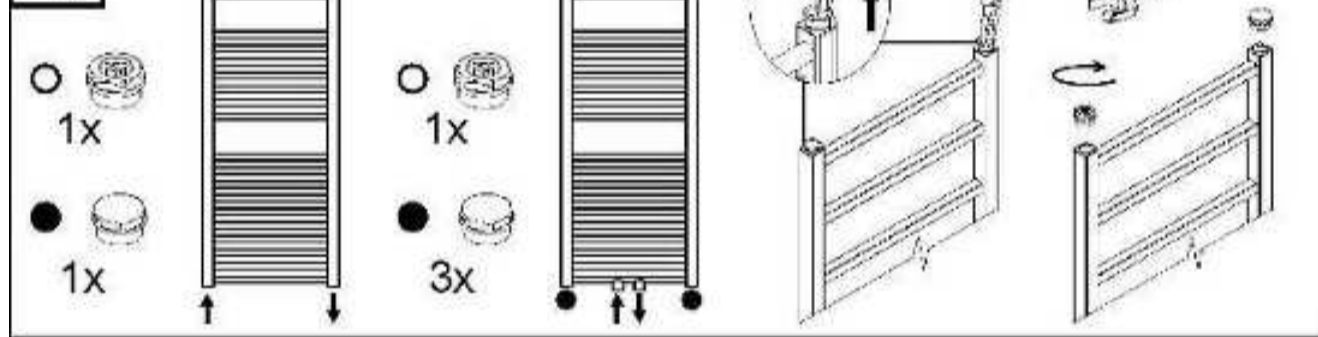
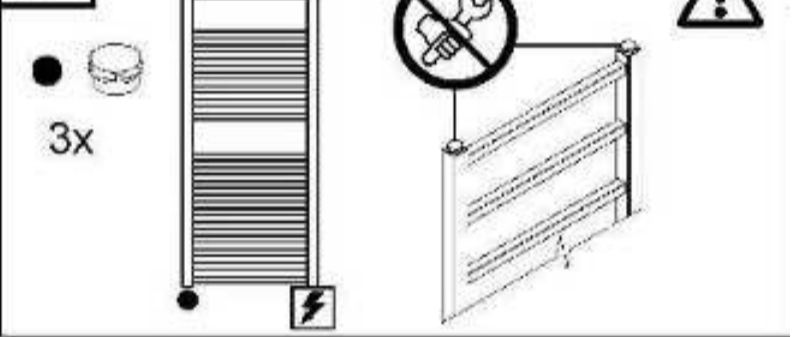


H	L	A	B	C	D	E	F	G
1255	500	230	1165	90	20	90	60-70	80-90
I	J	K	M	N	O	P		
40-50	-	min.100	460	-	-	-		

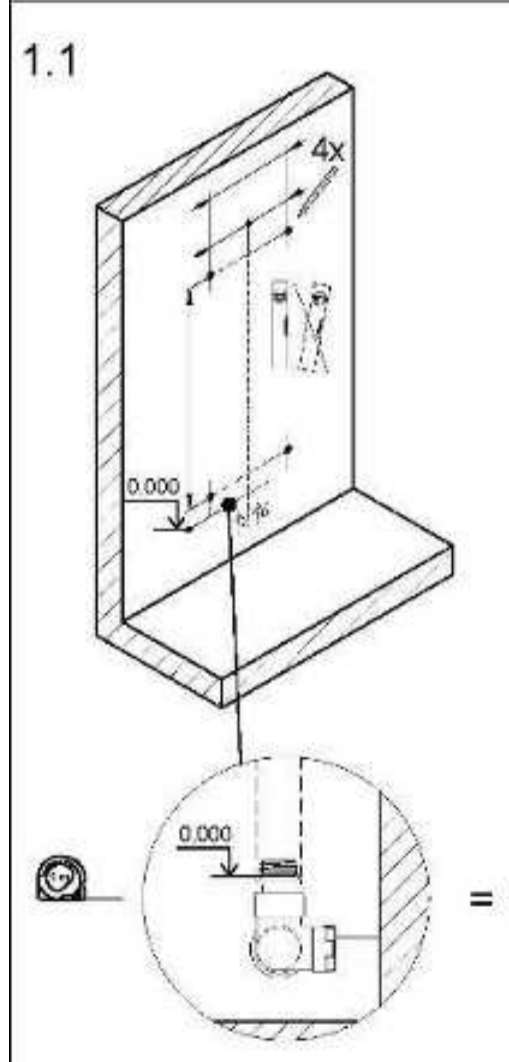
15.0	kg
7.7	l
582	W



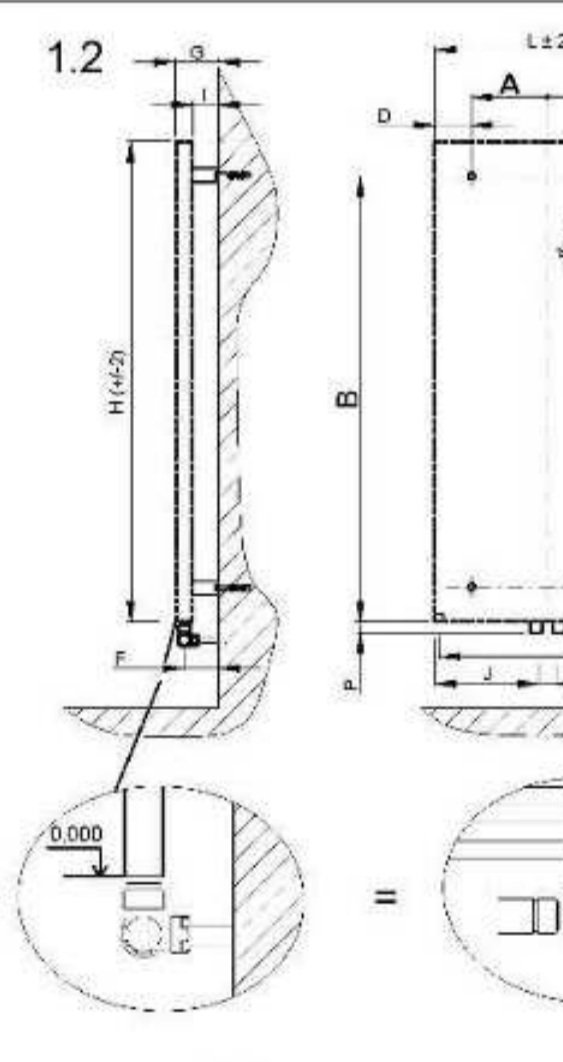
A 4x	B 4x 10x50 (100)	C 4x	D 4x MBx50 (100)	E 2x
F 4x	G 4x	H 4x	I 4x	J 2x

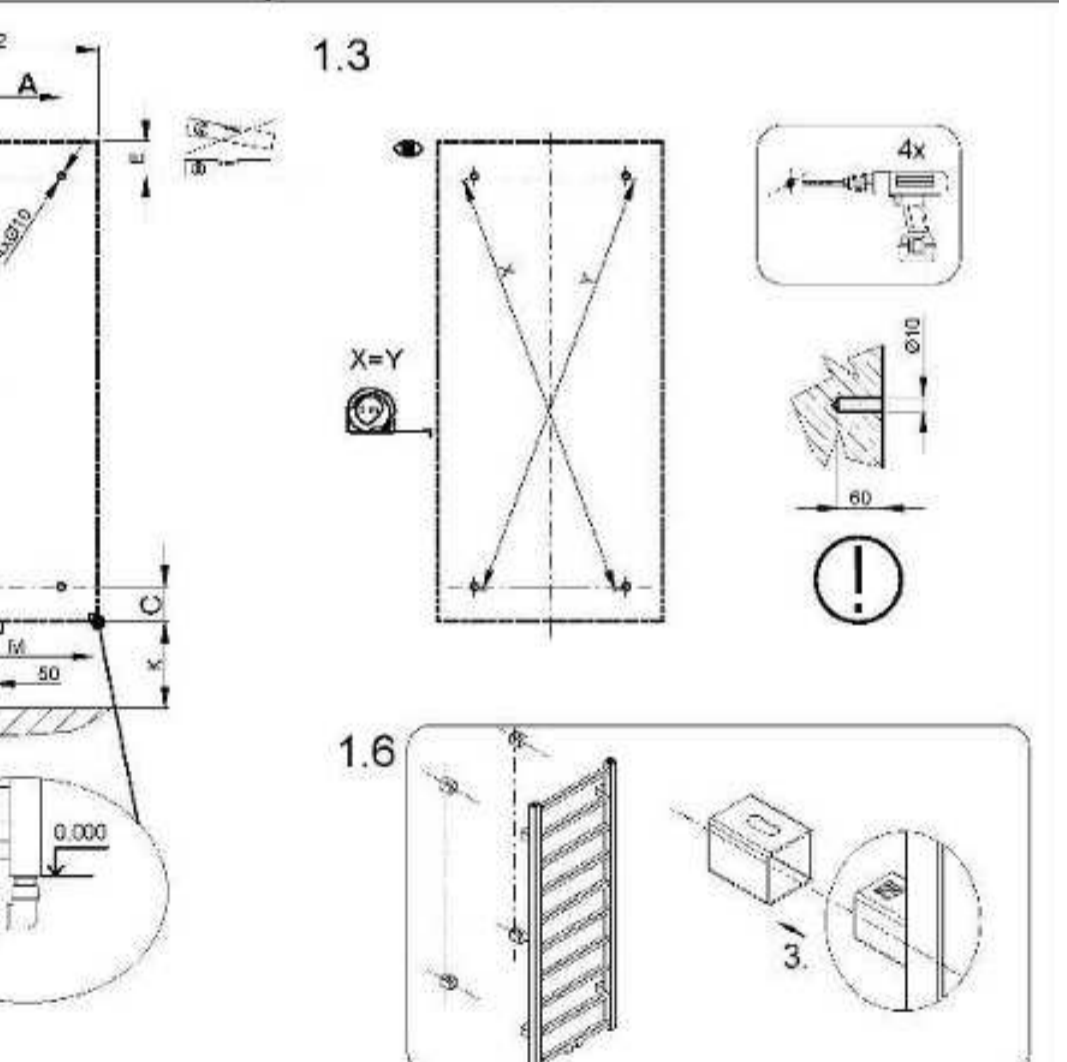
1.1



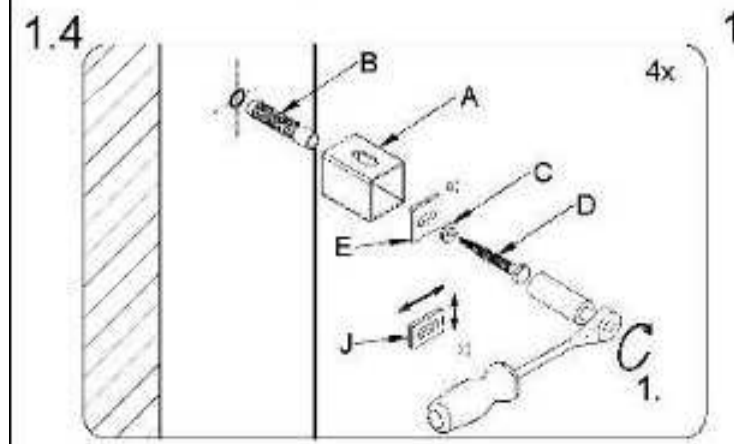
1.2



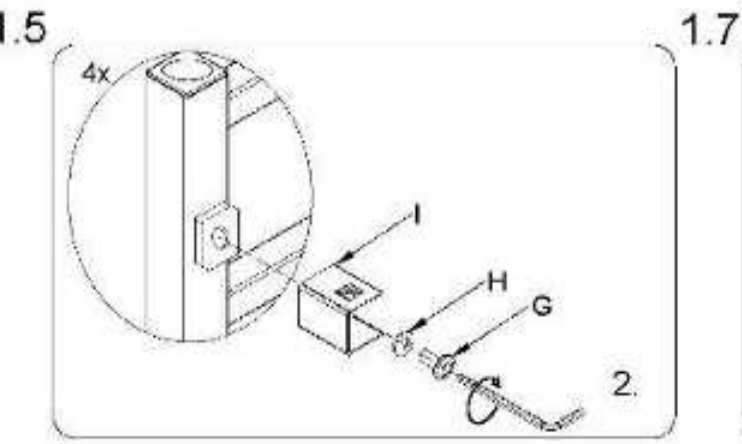
1.3



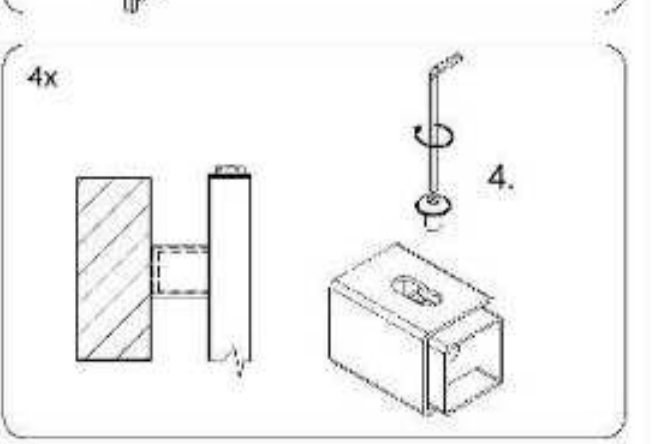
1.4



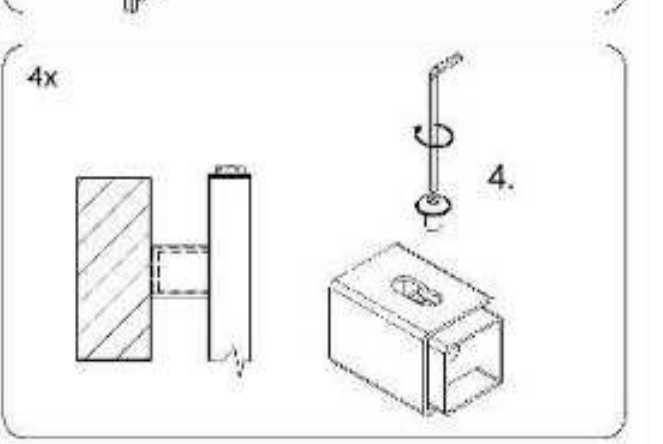
1.5



1.6



1.7

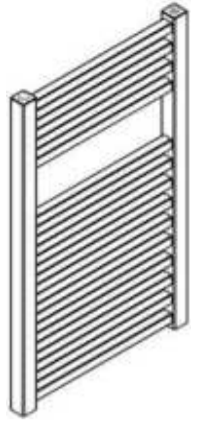




QUADRAT

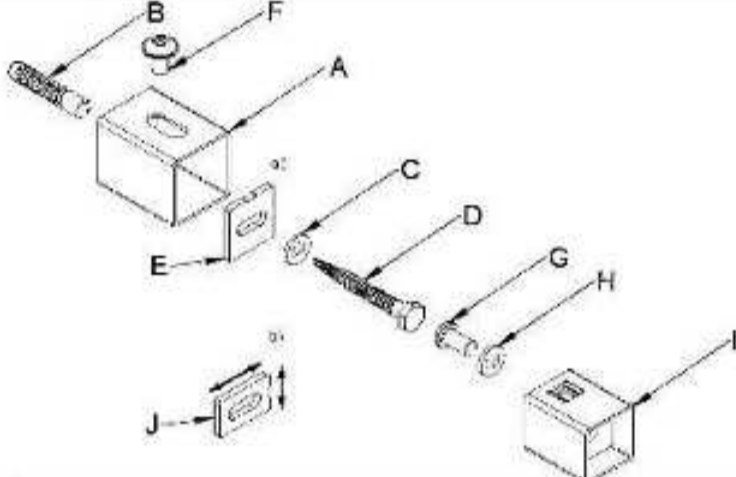


DQUA12550600SK01-0110

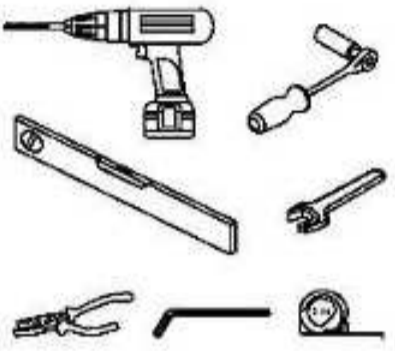
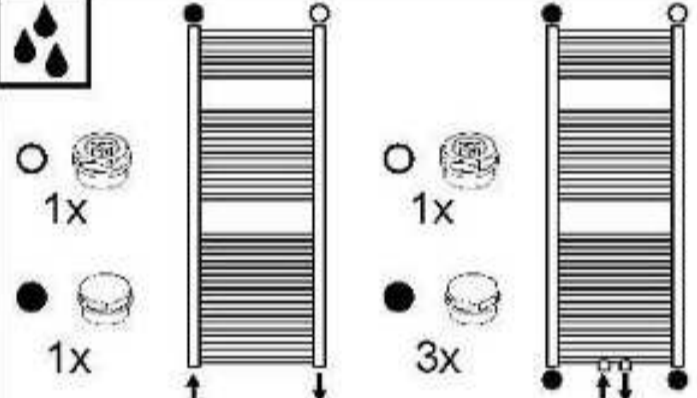
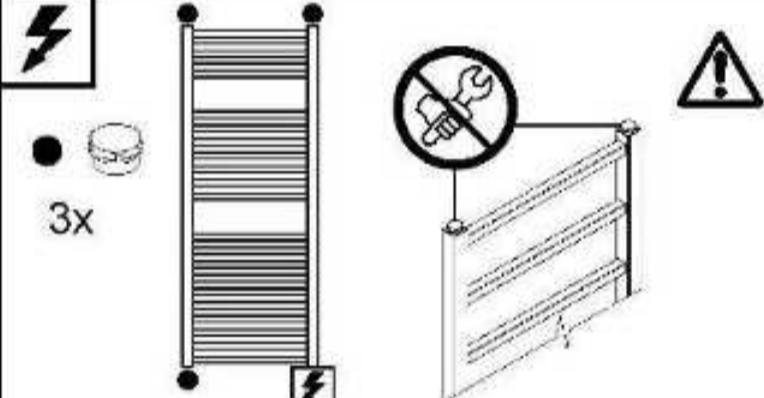


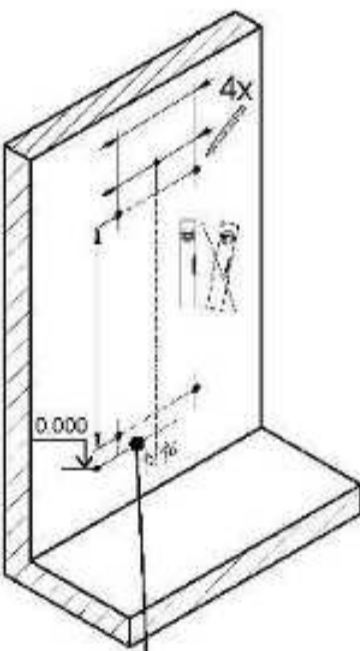
H	L	A	B	C	D	E	F	G
1255	600	280	1165	90	20	90	60-70	80-90
I	J	K	M	N	O	P		
40-50	-	min.100	560	-	-	-		

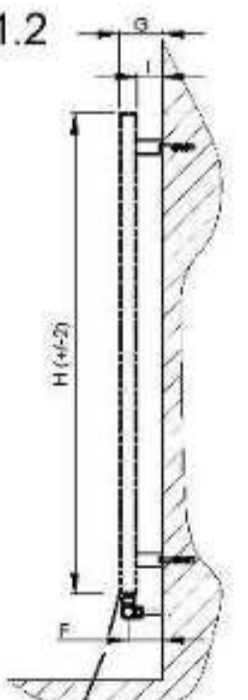
17.3	kg
8.7	l
680	W

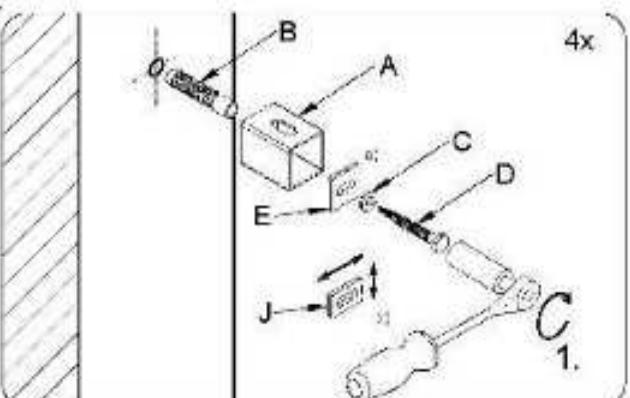


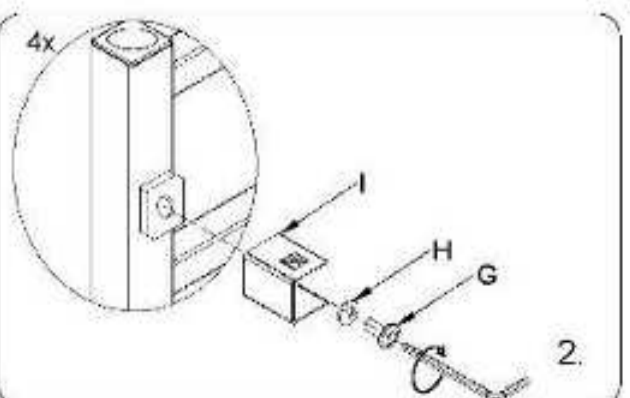
A 4x	B 4x 10x50 (100)	C 4x	D 4x MBx50 (100)	E 2x
F 4x	G 4x	H 4x	I 4x	J 2x

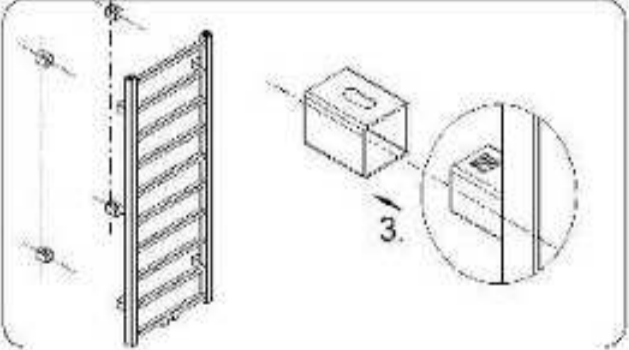




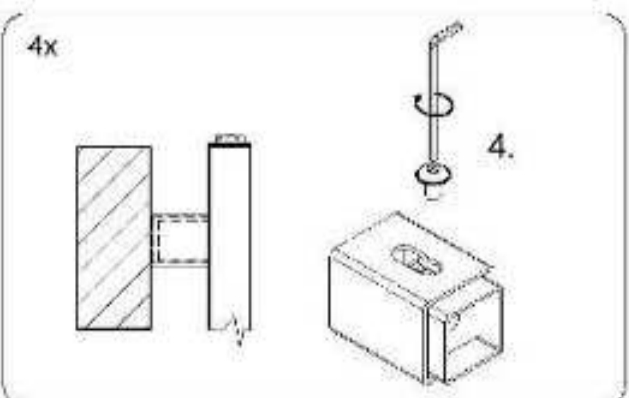
1.1 

1.2 

1.3 

1.5 

1.6 

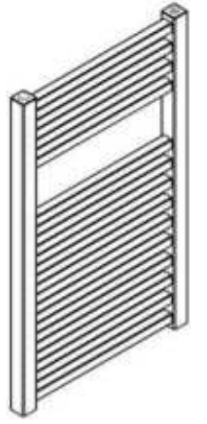
1.7 



QUADRAT

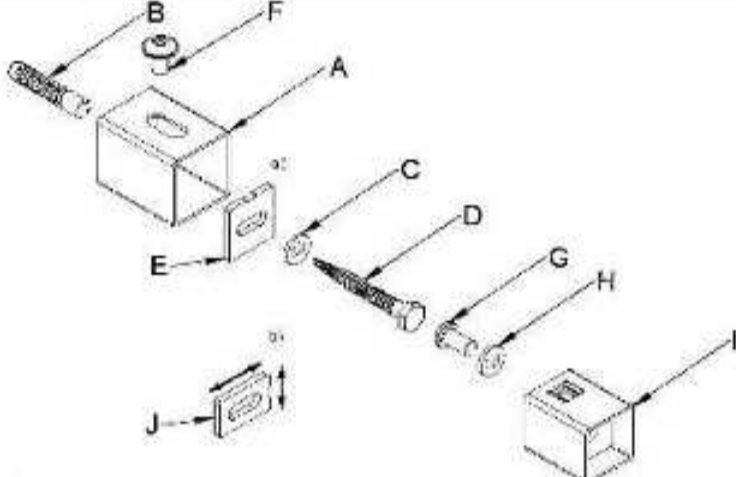


DQUA15050500SK01-0110

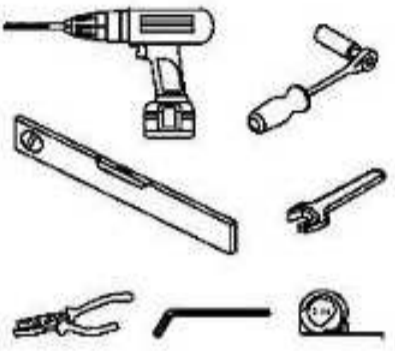

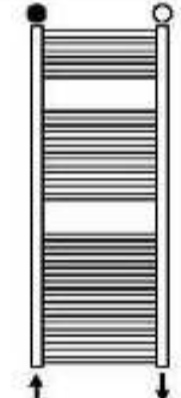
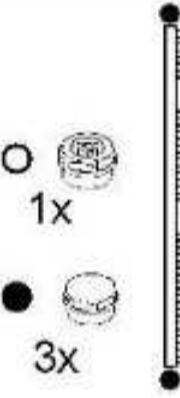
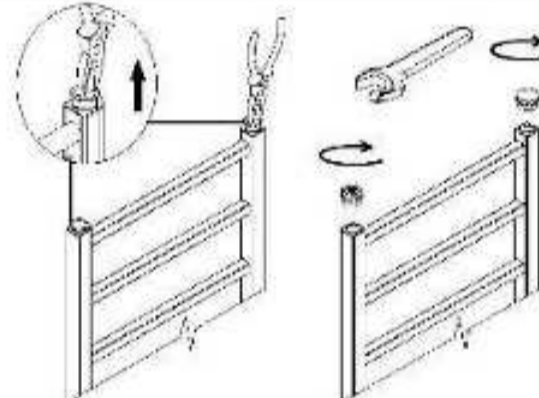
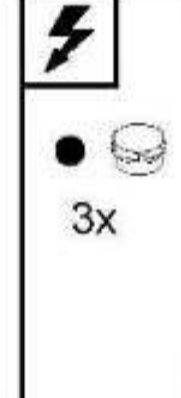
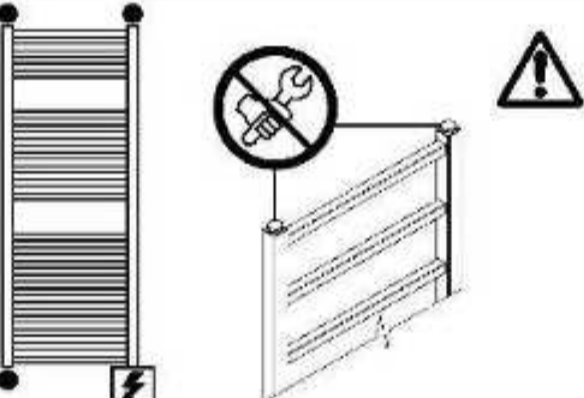


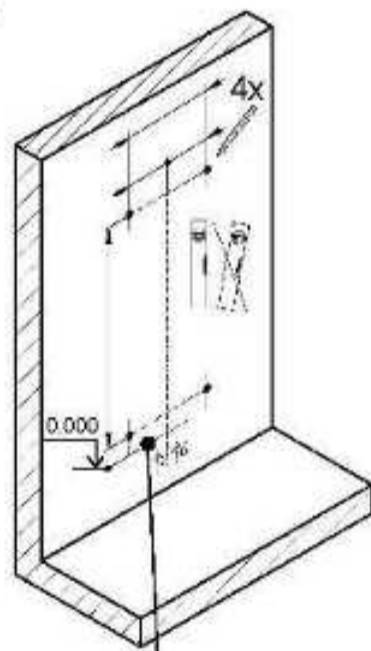
H	L	A	B	C	D	E	F	G
1505	500	230	1415	90	20	90	60-70	80-90
I	J	K	M	N	O	P		
40-50	-	min.100	460	-	-	-		

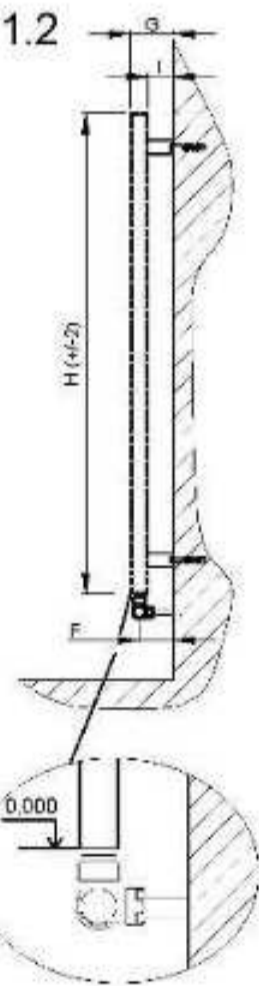
15.1	kg
9.3	l
692	W

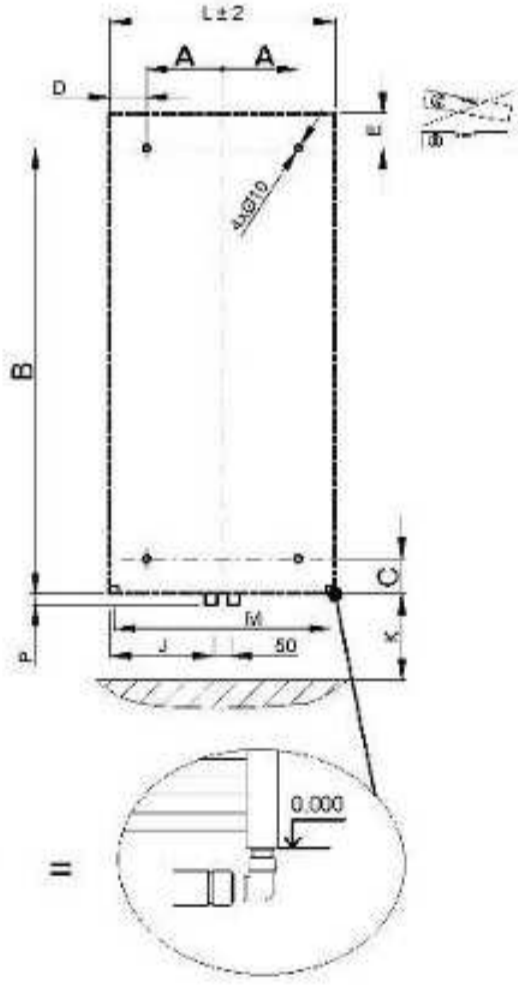


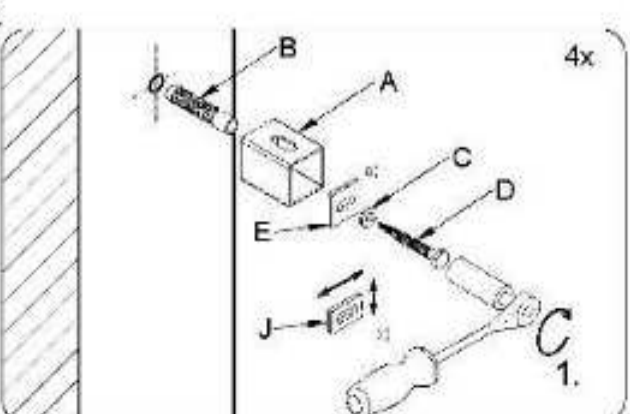
A 4x	B 4x 10x50 (100)	C 4x	D 4x MBx50 (100)	E 2x
F 4x	G 4x	H 4x	I 4x	J 2x

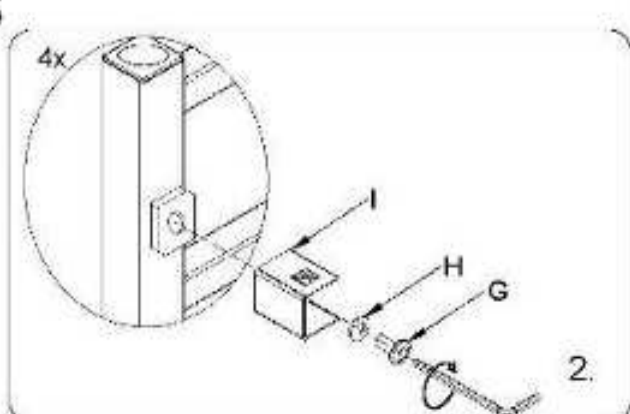








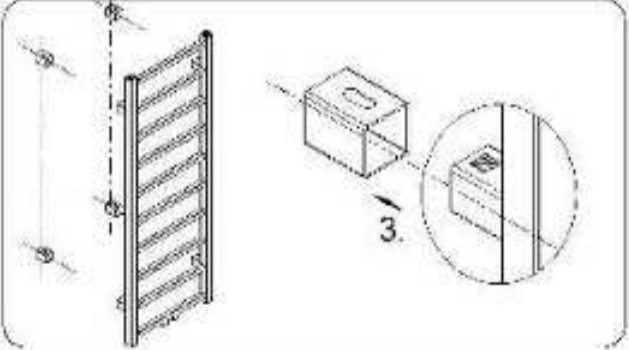
1.1 

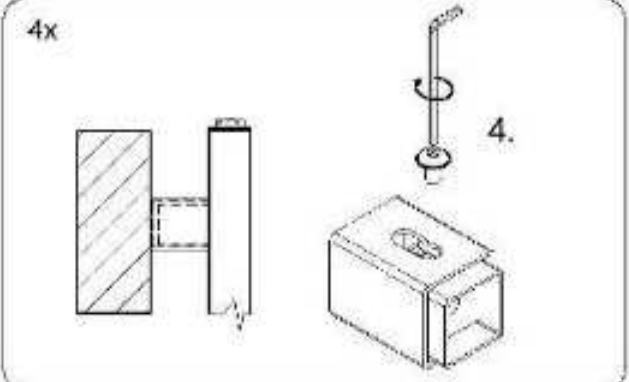
1.2 

1.3 

1.4 

1.5 

1.6 

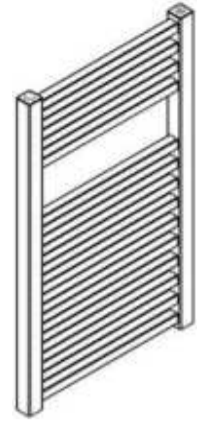
1.7 



QUADRAT

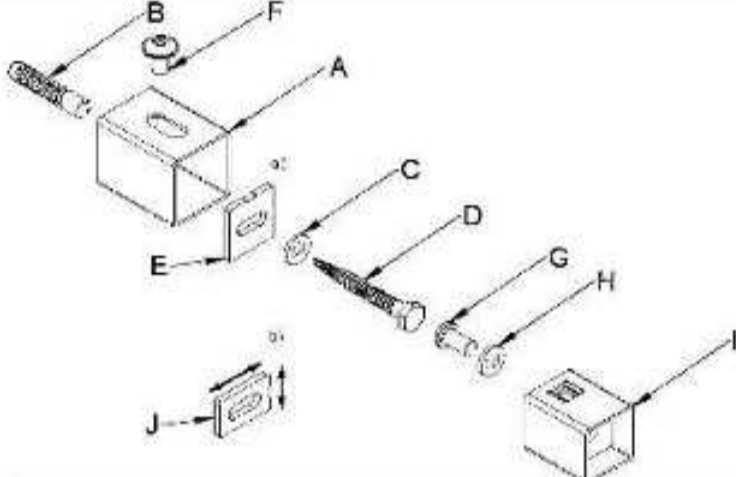


DQUA15050600SK01-0110

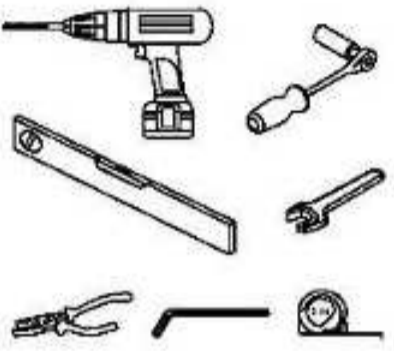
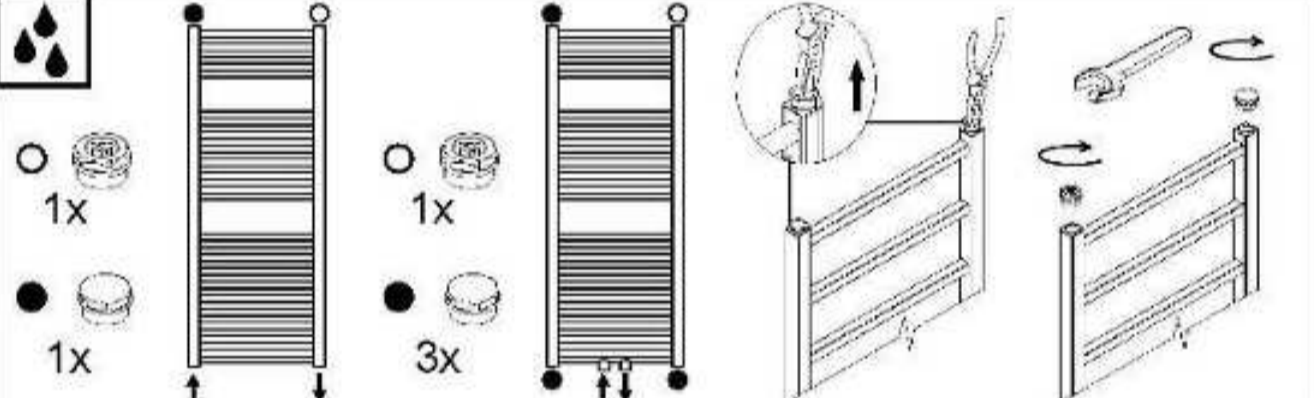
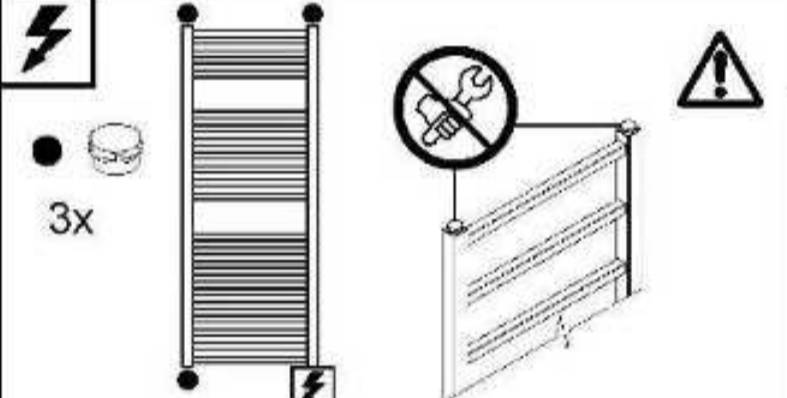


H	L	A	B	C	D	E	F	G
1505	600	280	1415	90	20	90	60-70	80-90
I	J	K	M	N	O	P		
40-50	-	min.100	560	-	-	-		

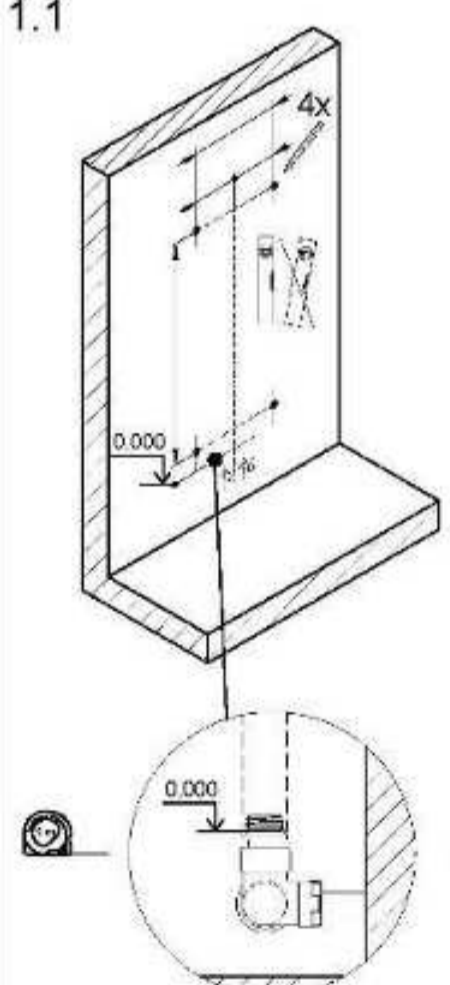
17.3	kg
10.5	l
809	W



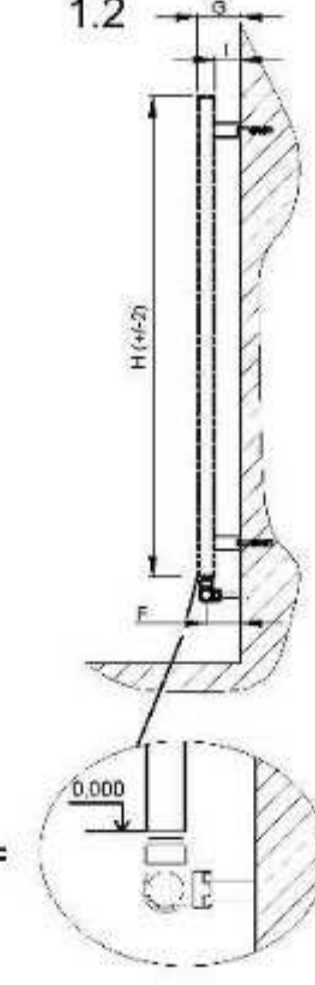
A 4x	B 4x 10x50 (100)	C 4x	D 4x MBx50 (100)	E 2x
F 4x	G 4x	H 4x	I 4x	J 2x

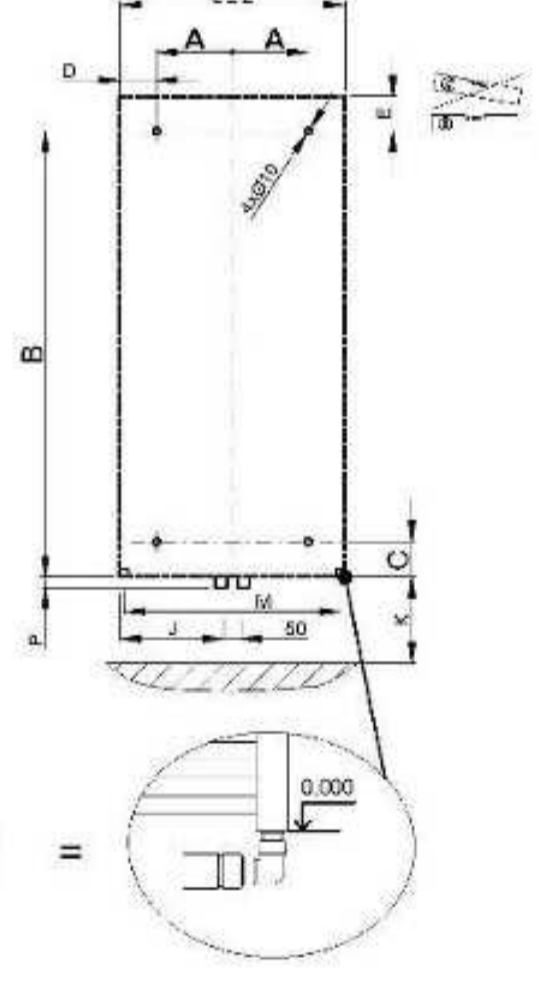
1.1



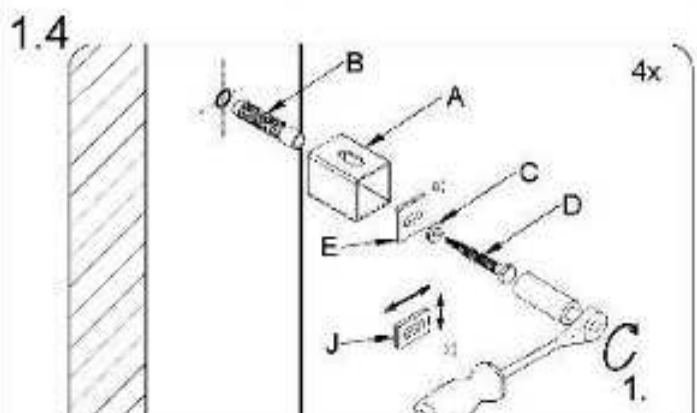
1.2



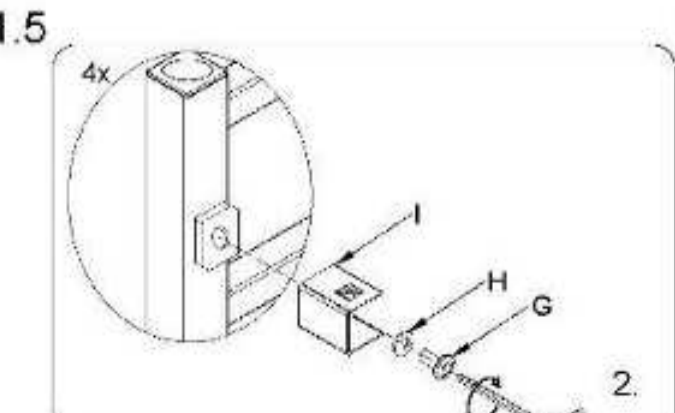
1.3



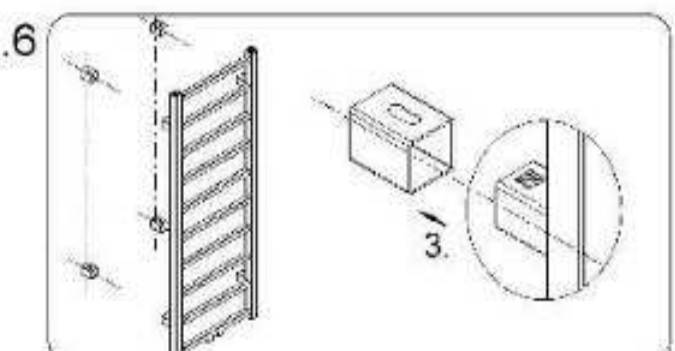
1.4



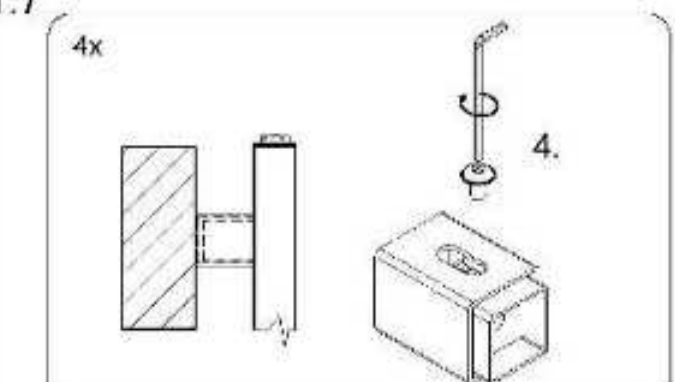
1.5



1.6



1.7

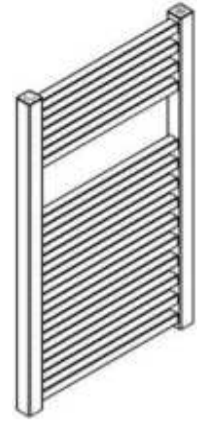




QUADRAT

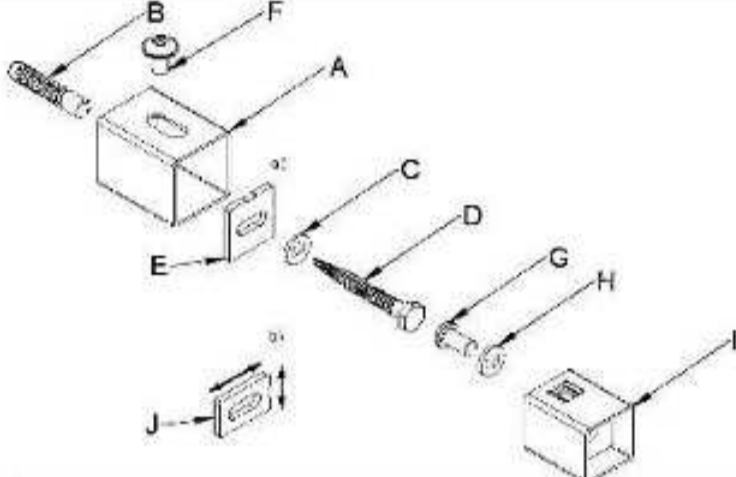


DQUA17550500SK01-0110

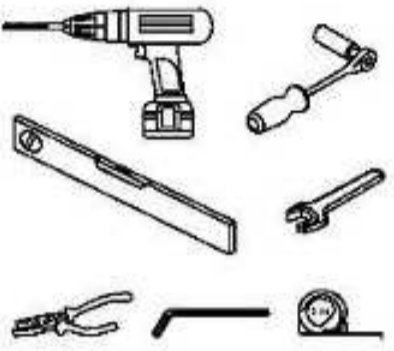
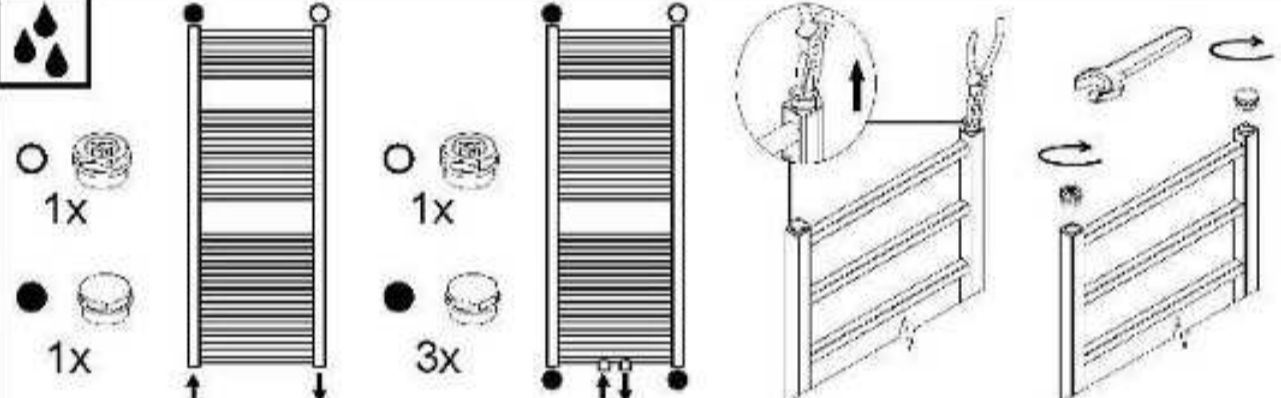
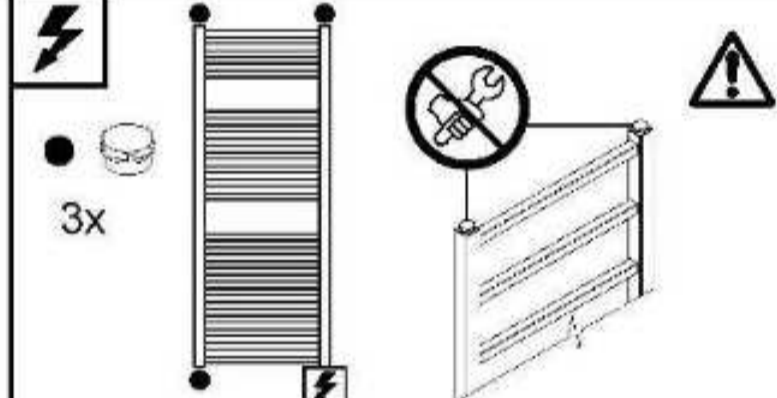


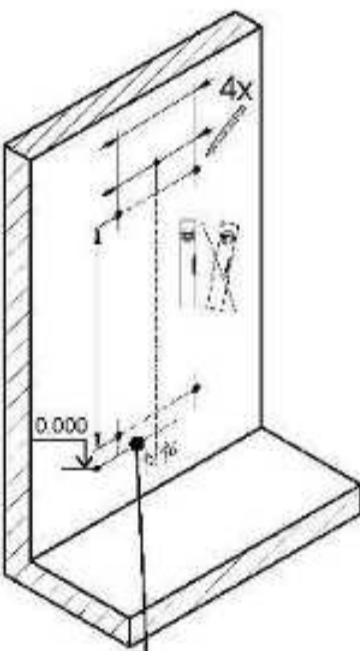
H	L	A	B	C	D	E	F	G
1755	500	230	1665	90	20	90	60-70	80-90
I	J	K	M	N	O	P		
40-50	-	min.100	460	-	-	-		

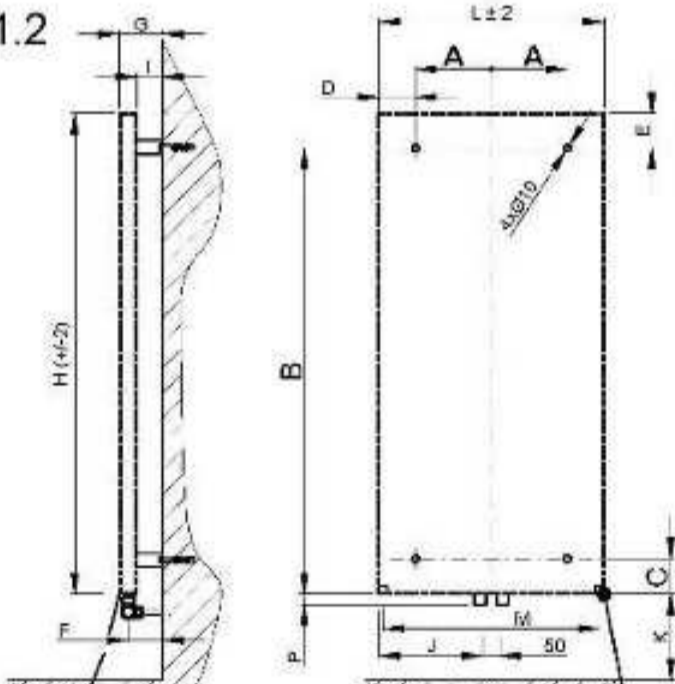
20.5	kg
10.7	l
802	W

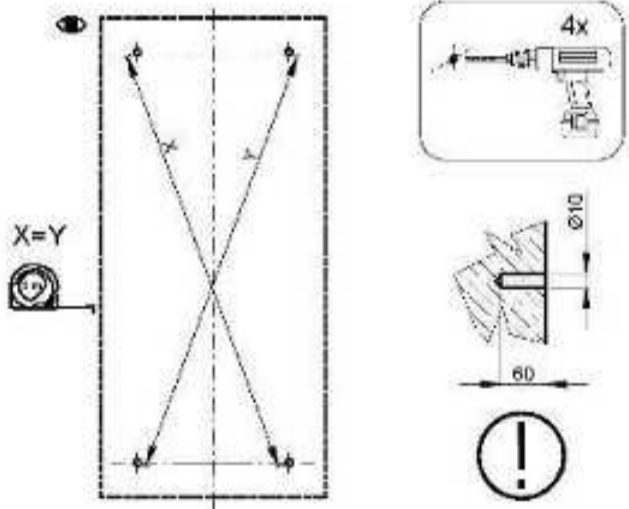


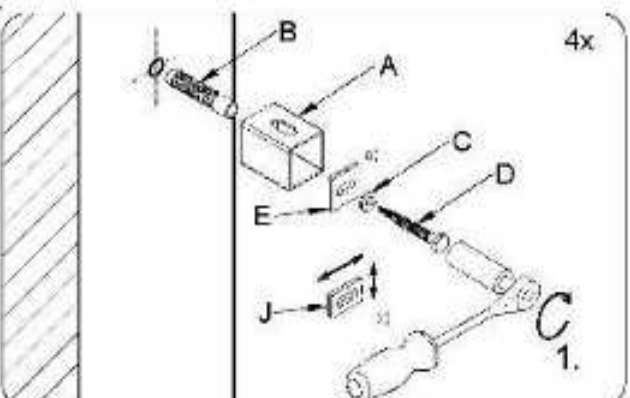
A 4x	B 4x 10x50 (100)	C 4x	D 4x MBx50 (100)	E 2x
F 4x	G 4x	H 4x	I 4x	J 2x

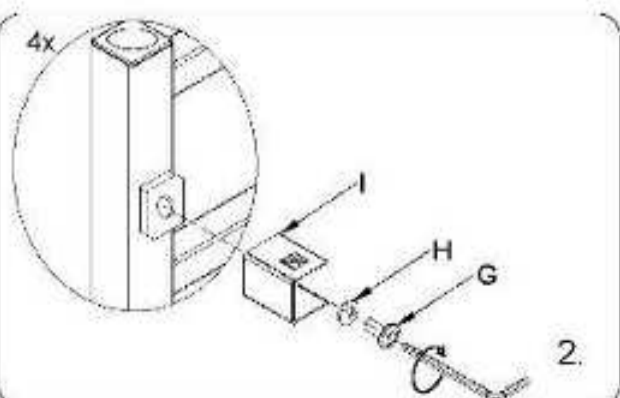




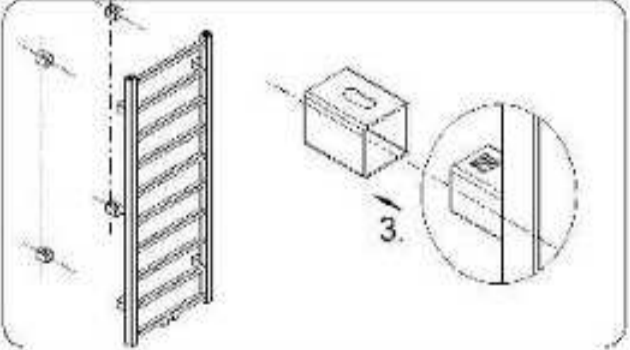
1.1 

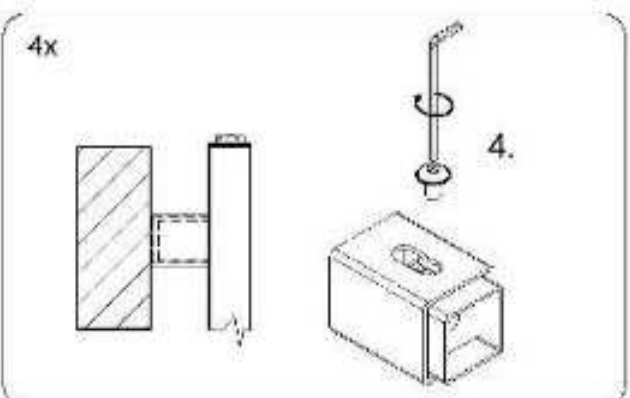
1.2 

1.3 

1.4 

1.5 

1.6 

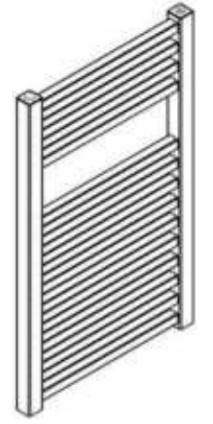
1.7 



QUADRAT

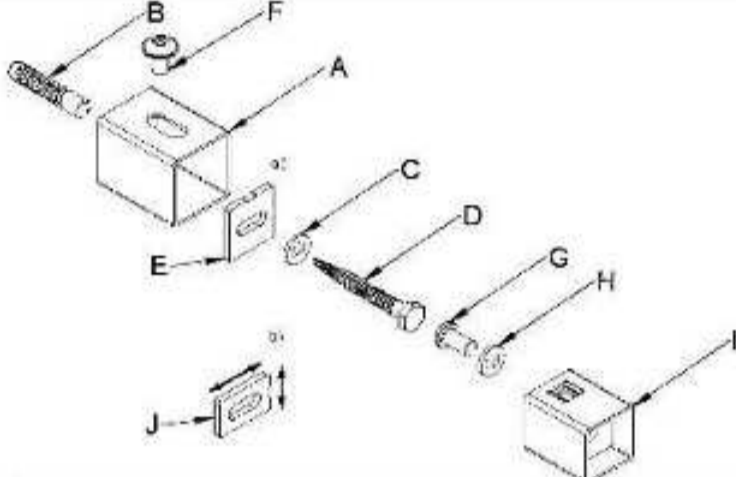


DQUA17550600SK01-0110

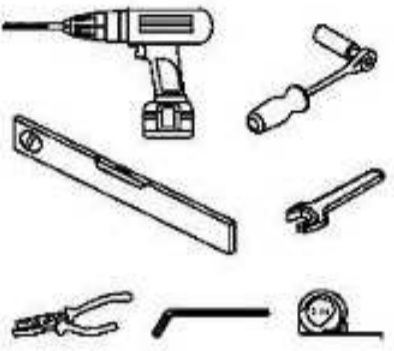
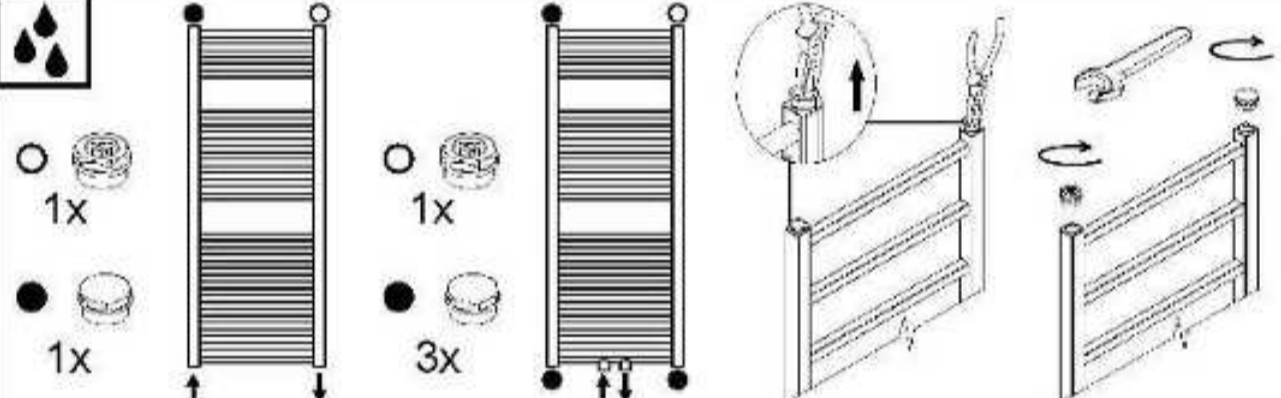
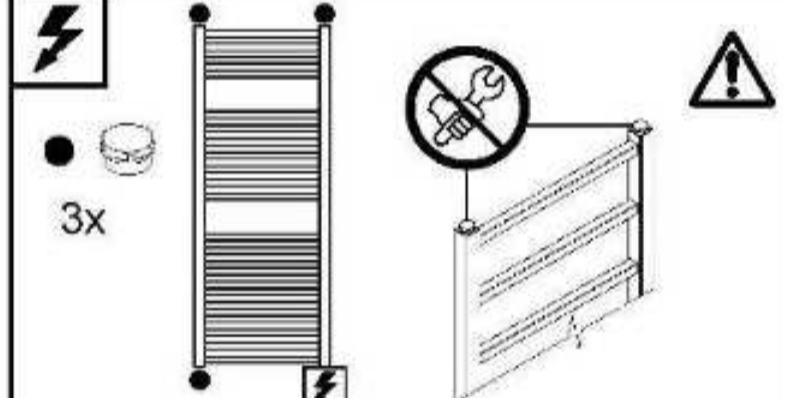


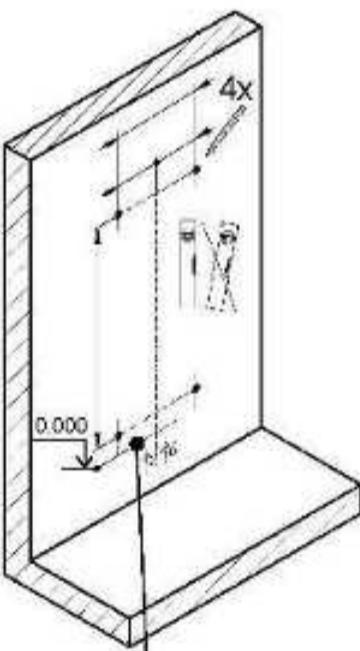
H	L	A	B	C	D	E	F	G
1755	600	280	1665	90	20	90	60-70	80-90
I	J	K	M	N	O	P		
40-50	-	min.100	560	-	-	-		

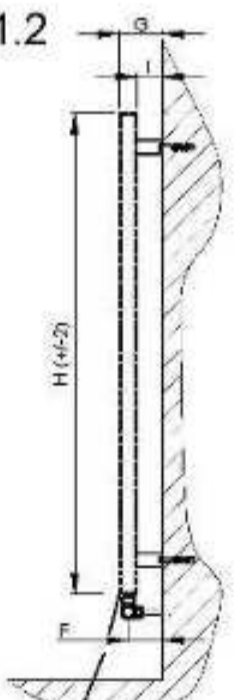
23.7	kg
12.1	l
937	W

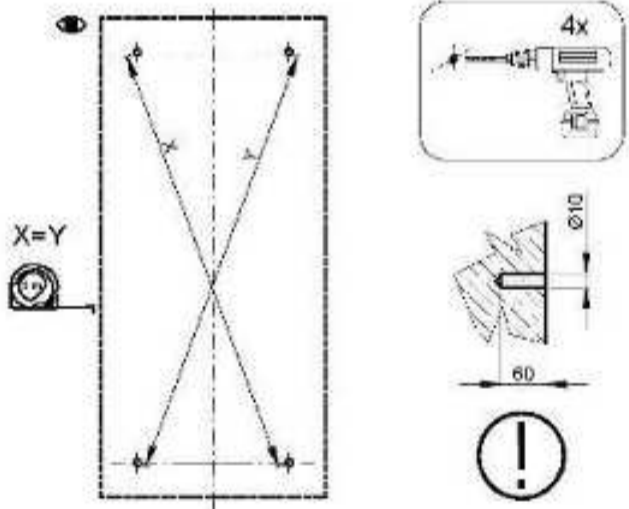


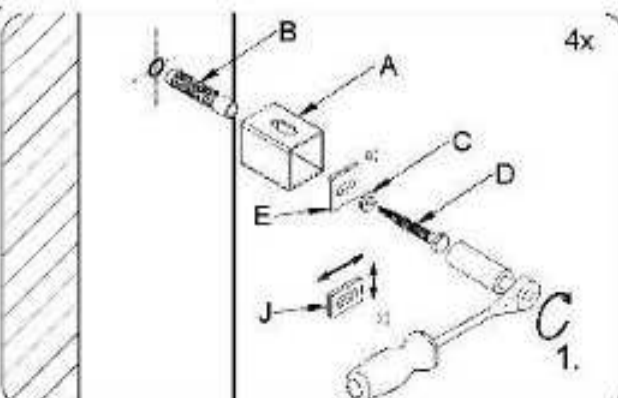
A 4x	B 4x 10x50 (100)	C 4x	D 4x MBx50 (100)	E 2x
F 4x	G 4x	H 4x	I 4x	J 2x

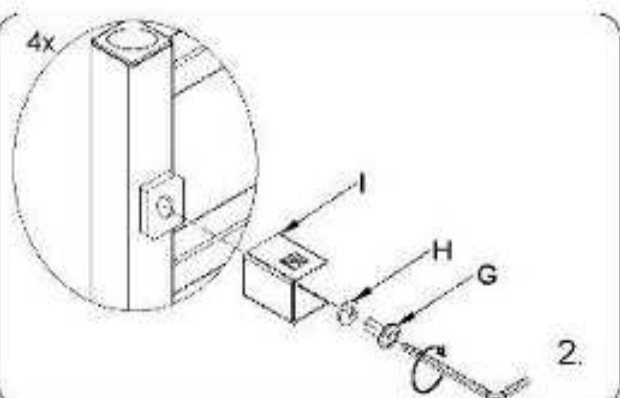




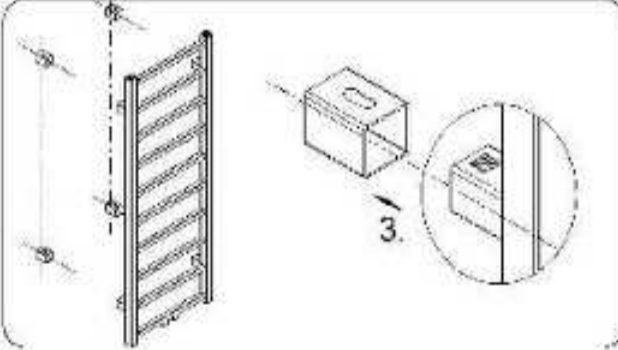
1.1 

1.2 

1.3 

1.4 

1.5 

1.6 

1.7 